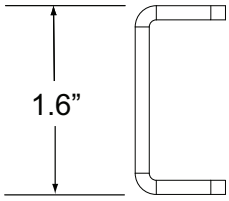
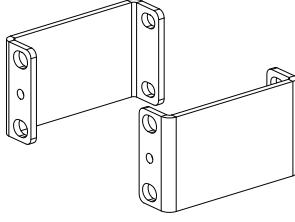
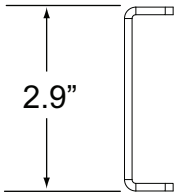
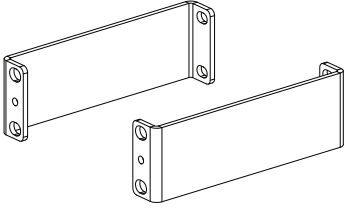
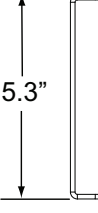
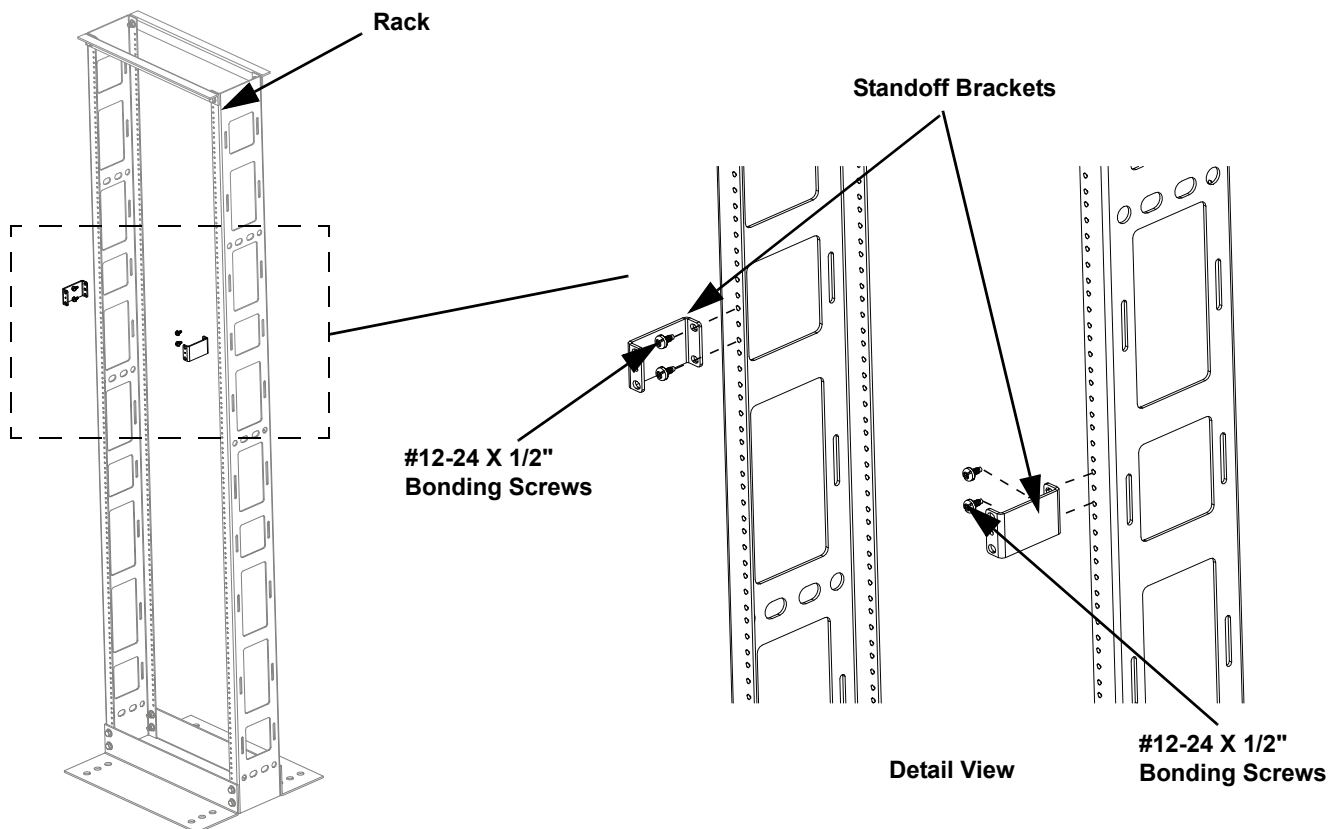
 <p>RSB1A</p>	 <p>1.6"</p> <p>Top View</p>  <p>RSB1B</p>  <p>2.9"</p> <p>Top View</p>
 <p>RSB1C</p>  <p>5.3"</p> <p>Top View</p>	<p>All Rack Standoff Bracket Kits contain the following components:</p> <ul style="list-style-type: none">• (2) 1RU Mounting Brackets• (4) #12-24 X 1/2" Bonding Screws <p>Brackets are designed to mount 1RU equipment.</p> <p>Multiple RU equipment will require (2) sets of Rack Standoff Brackets.</p>

Installing Standoff Brackets to Rack

Install brackets on rack using #12-24 X 1/2" Bonding Screws at desired RU location.

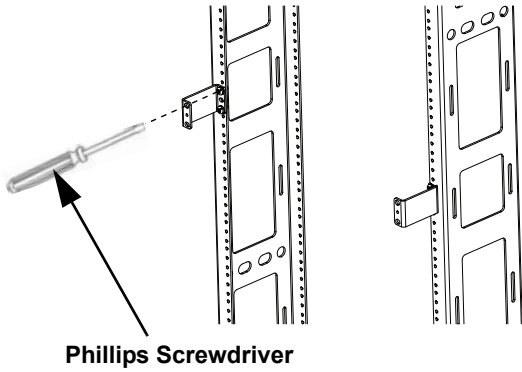
Notes: Minor flanges on brackets must be placed inward toward the rack center as shown.

Rack brackets must align horizontally.



Securing Standoff Brackets

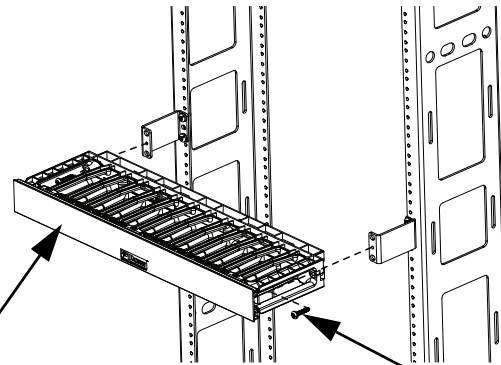
Using a phillips screwdriver through the front clearance holes in the bracket, tighten the #12-24 Bonding Screws. The clearance holes are obround and are at the top and bottom of the bracket.



Phillips Screwdriver

Installing 1RU Horizontal Equipment

Install 1RU horizontal equipment (horizontal manager, patch panel, blanking panel, etc.) onto brackets using screws supplied with the piece of equipment being installed.



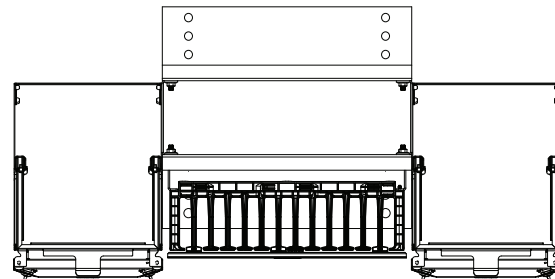
1RU Horizontal Manager

Screws supplied with horizontal equipment

Completed Assembly

The Rack Standoff Brackets are designed to mount horizontal managers spaced off of rack equipment rails in order to match up the front of the horizontal managers with the front of the vertical managers.

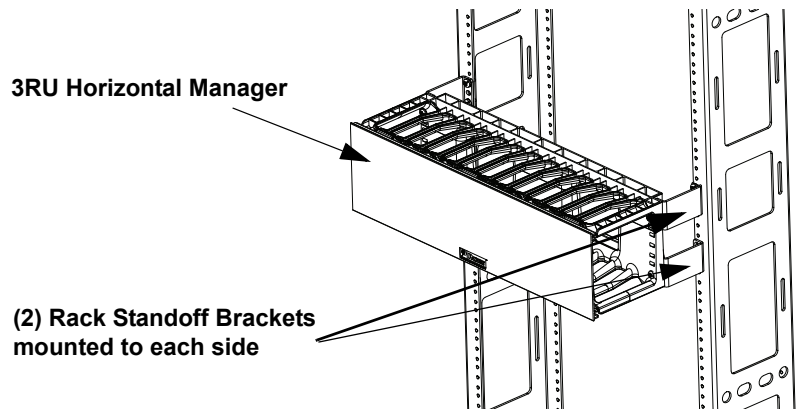
Standoff bracket selection to have vertical cable manager and horizontal cable manager finger and door alignment			
PatchRunner High Capacity Vertical mounting position on rack	Fully back extended	Standard Mounting	Fully forward extended
Standoff Bracket to use	RSB1A	RSB1B	RSB1C



Top View

Installing Multiple RU Horizontal Equipment Using Rack Standoff Brackets

Multiple RU equipment will require (2) sets of Rack Standoff Brackets. These will be mounted on the outer ends of the equipment as shown.



3RU Horizontal Manager

(2) Rack Standoff Brackets mounted to each side