

53001010	DATA SHEET	
Valid from: 02.07.2019	SKINDICHT® O-RING NBR PG	

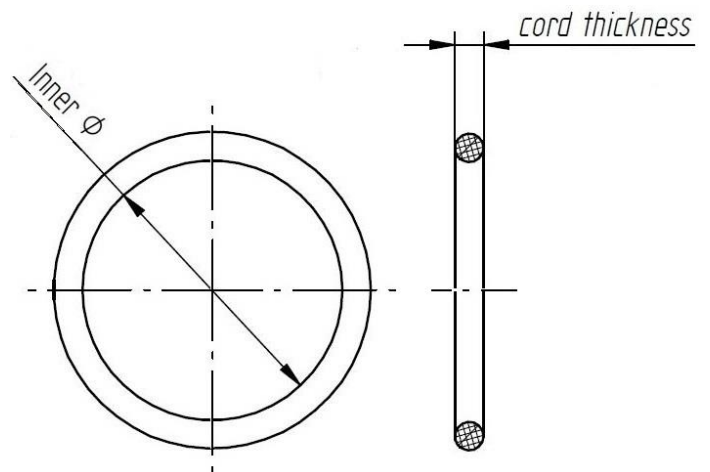
The SKINDICHT® O-Ring are sealing rings of NBR used for reliable sealing against oil, dust and water on the connecting thread of glands or similar components.



Technical features:

Material	NBR , halogen-free, UV-resistant, Ozone-resistant
Color	Black
Sizes	PG7 up to PG48
Temperature range	-20 °C up to +100 °C

Article designation	Inner Ø x cord thickness [mm]	Article No.
PG 7	10 x 1,5	53001010
PG 9	13 x 1,5	53102011
PG 11	16 x 1,5	53001020
PG 13,5	18 x 1,5	52005740
PG 16	20 x 1,5	53001030
PG 21	26 x 2	52005750
PG 29	34 x 2	53001040
PG 36	44 x 2	52005760
PG 42	50 x 2	53001050
PG 48	55 x 2	52005770



For more information please see our current catalogue. Please do not hesitate to contact our laboratory if there are any questions regarding resistance against aggressive agents and special oil.

Creator: MAU1/PDP Released: DAMU1/PDP	Document: DB53001010EN Version: 05	Page 1 of 1
--	---------------------------------------	-------------