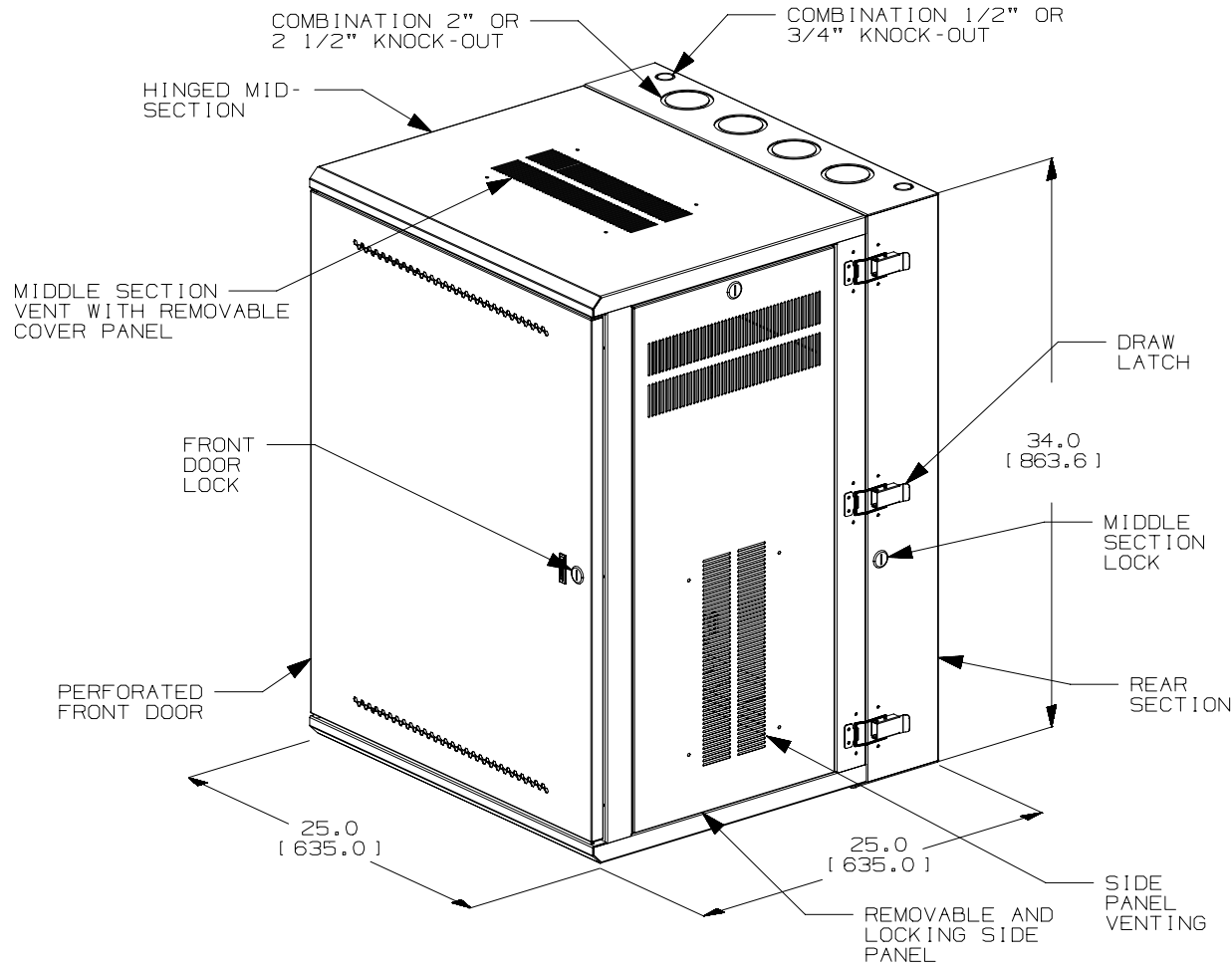


THIS COPY IS PROVIDED ON A RESTRICTED BASIS AND IS NOT TO BE USED IN ANY WAY DETRIMENTAL TO THE INTERESTS OF PANDUIT CORP.



TRUE DOOR PERFORATION PATTERN NOT SHOWN

PANDUIT PART NO.	WEIGHT
PZWMC18P	115 LBS/EACH 52.2 kg/EACH

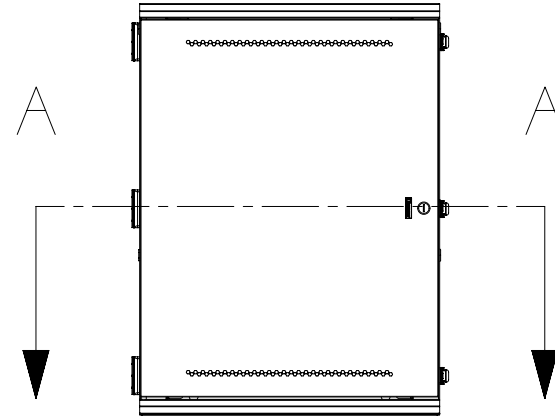
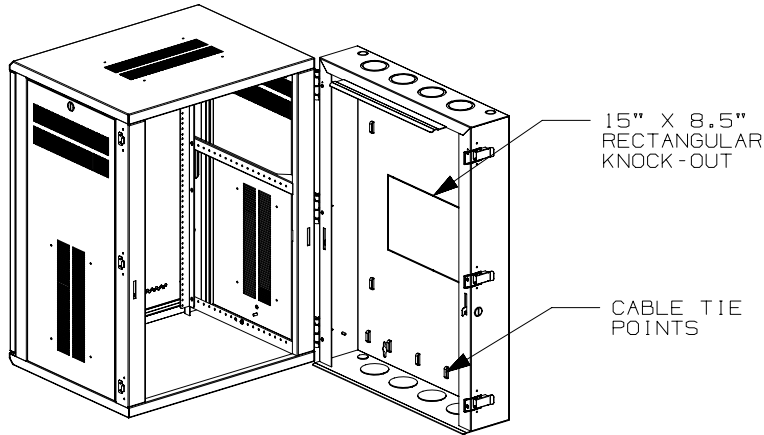
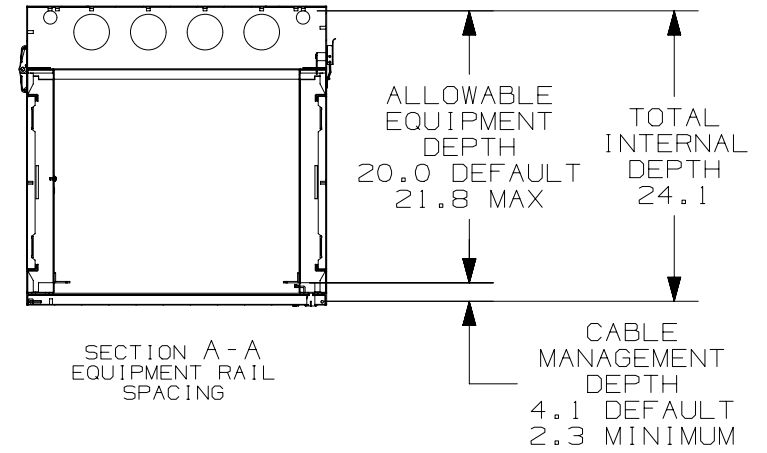
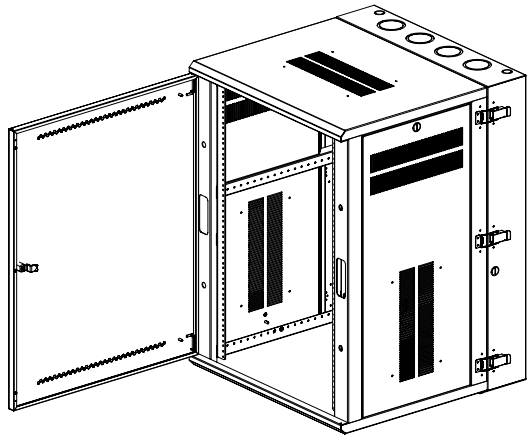
NOTES:

- VISIT OUR ON-LINE CATALOG AT WWW.PANDUIT.COM FOR A LIST OF CURRENT PARTS APPLICABLE FOR USE WITH THIS PRODUCT.
- DIMENSIONS IN PARENTHESES ARE METRIC (mm).
- CAN BE USED WITH ANY 19" EIA STANDARD COMPONENT UP TO 20" DEEP WITH ROOM FOR PATCH CORDS OR 21.8" DEEP WITH THE RAILS IN FORWARD MOST POSITION.
- 18 AVAILBLE RACK SPACES.
- VERTICAL EQUIPMENT MOUNTING ANGLES ARE ADJUSTABLE FRONT TO REAR OF CABINET IN .9" INCREMENTS.
- LOAD CAPACITY, 300-LBS.
- INSTALLS IN EITHER A HINGED RIGHT OR HINGED LEFT APPLICATION.
- FRONT ACCESS THROUGH DOOR; REAR ACCESS THROUGH HINGED MID-SECTION.
- PARTS SUPPLIED: (12) - #12-24 SCREWS
(1) - ROLL OF TAK-TY
(3) - SETS OF KEYS
(1) - SPARE DOOR HINGE SPACER

REV	DATE	BY	CHK	APR	DESCRIPTION	ECN
00A	9-27-18	TWV	KZU	JEFK	RELEASED TO PRODUCTION	00198EAD-DC

TITLE		PANZONE 18RU HINGED WALL MOUNT CABINET (PZWMC18P) PERFORATED DOOR	
CUSTOMER DRAWING			
ITEM REVISION NAME		00198EAD/00.PRT	
DATASET FILE NAME		00198EAD_DC/00A.PRT	
UNLESS OTHERWISE SPECIFIED, DIMENSIONAL TOLERANCES ARE: IN (mm)		MATERIAL: STEEL	
DRAWING NUMBER: 00198EAD-DC		THIRD ANGLE PROJECTION	
DRAWN BY	DATE	CHK	SCALE
TWV	9-27-18	KZU	NONE
SHT 1 OF 2			SIZE A

THIS COPY IS PROVIDED ON A RESTRICTED BASIS AND IS NOT TO BE USED IN ANY WAY DETRIMENTAL TO THE INTERESTS OF PANDUIT CORP.



REV	DATE	BY	CHK	APR	DESCRIPTION	ECN
00A	9-27-18	TWV	KZU	JEFK	SEE SHEET ONE FOR REVISIONS	00198EAD-DC

TITLE		PANZONE 18RU HINGED WALL MOUNT CABINET (PZWMC18P) PERFORATED DOOR	
CUSTOMER DRAWING			
ITEM REVISION NAME		00198EAD/00.PRT	
DATASET FILE NAME		00198EAD_DC/00A.PRT	
UNLESS OTHERWISE SPECIFIED, DIMENSIONAL TOLERANCES ARE: IN (mm)		MATERIAL: STEEL	
DRAWN BY TWV		DATE 9-27-18	
CHK KZU		SCALE NONE	
DRAWING NUMBER: 00198EAD-DC		SHT 2 OF 2	
		SIZE A	