

# Keystone All Metal Shielded Modular Patch Panels

## specifications

All metal modular patch panels shall be made of cold rolled steel and mount to standard racks and cabinets. All metal patch panels shall accept Keystone Shielded Jack Modules for shielded installations. The all metal modular patch panels shall be available in standard flat 24-port densities, angled-port 24-port, angled 24-port, and angled 48-port densities. Angled-port patch panels shall accept Keystone shielded jacks at a 15° angle. Patch Panels shall incorporate built-in strain relief bar with unique features to support individual cables.



## technical information

<b>Mounting option:</b>	Mounts to standard EIA 19" rack, or 23" rack when used with extender brackets (PEB1) or cabinet
<b>Packaging:</b>	Includes 25 cable ties, one 18 AWG ground wire, one M3-0.5 X 5mm zinc screw and four mounting screws, washers and nuts
<b>Material:</b>	Steel

## key features and benefits

<b>Modular</b>	Keystone shielded jack modules snap in and out of all keystone all metal shielded modular patch panels for easy moves, adds, and changes
<b>Identification</b>	Dedicated areas allow for port and panel identification
<b>Built-in strain relief bar</b>	Secures individual cables and provides proper cable support

## applications

The Keystone All Metal Shielded Modular Patch Panel includes a built-in strain relief bar that offers integrated cable tie slots to manage and support individual cables. Keystone Shielded Jack Modules bond to the panel when snapped into a Keystone All Metal

Shielded Modular Patch Panel. The Keystone Shielded Patch Panel comes with a 400mm 18 AWG ground wire. The combination of all metal patch panels, shielded jack modules and accessories provides a properly grounded system.

### Keystone Patch Panel, Flat, with Strain Relief Bar

24-port, 1 RU: KP24WSBL

### Keystone Patch Panel, Angled, with Strain Relief Bar

24-port, 1 RU: KPA24WSBL

48-port, 1 RU: KPA48WSBL

### Keystone Patch Panel, Flat with Angled Ports, with Strain Relief Bar

24-port, 1 RU: KP24APWSBL

### Keystone Patch Panel, Flat, No Strain Relief Bar

24-port, 1 RU: KPS24BL

### Keystone Shielded Jack Modules

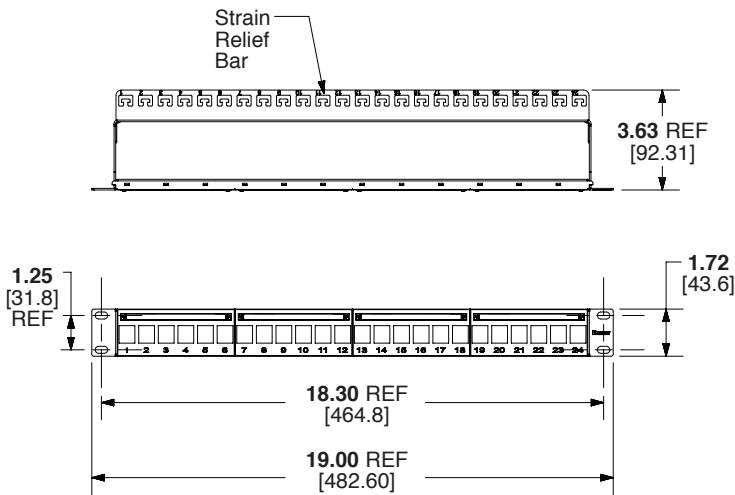
Category 6A: KJS6X88TC

Category 6A, Blue: KJS6X88TCBU

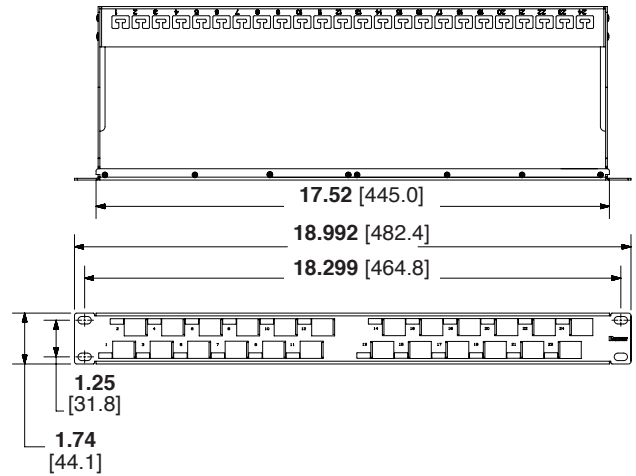
Category 6A, Black: KJS6X88TCBL

# Keystone All Metal Shielded Modular Patch Panels

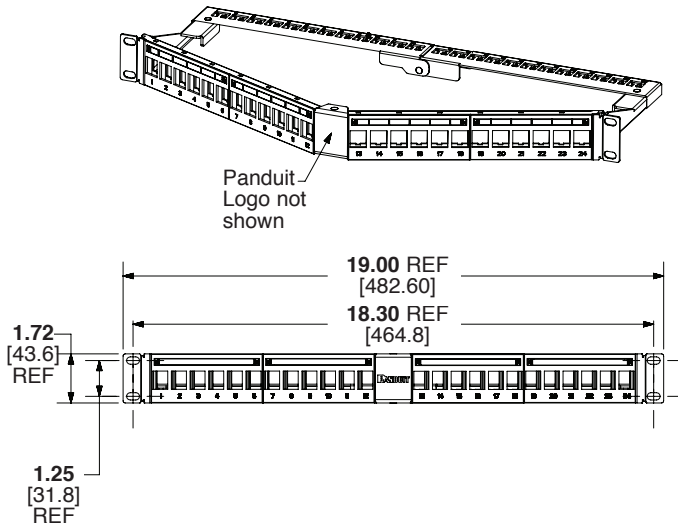
**KP24WSBL**



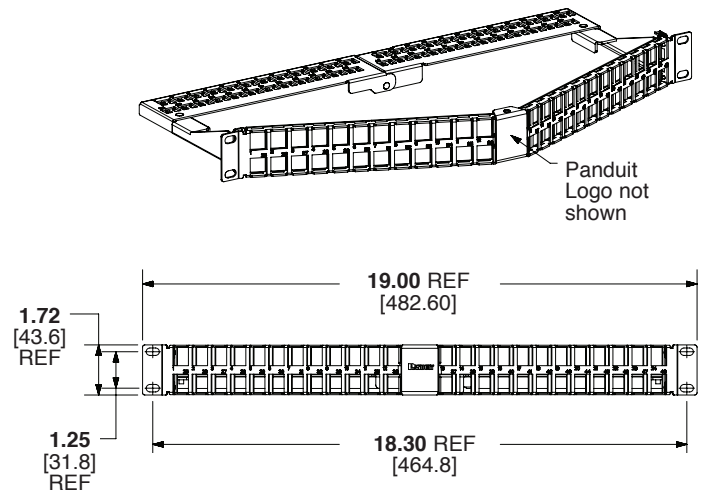
**KP24APWSBL**



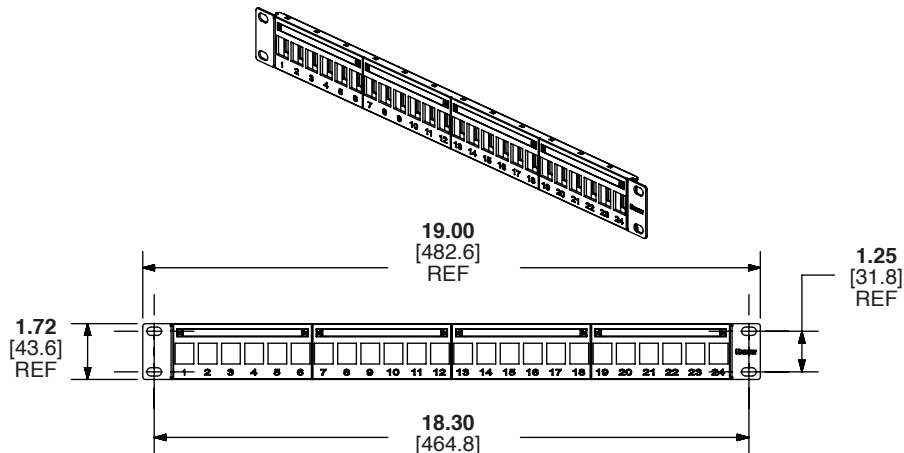
**KPA24WSBL**



**KPA48WSBL**



**KPS24BL**



Dimensions are in inches [Dimensions in brackets are metric]

**WORLDWIDE SUBSIDIARIES AND SALES OFFICES**

PANDUIT US/CANADA  
Phone: 800.777.3300

PANDUIT EUROPE LTD.  
London, UK  
Phone: 44.20.8601.7200

PANDUIT SINGAPORE PTE. LTD.  
Republic of Singapore  
Phone: 65.6305.7575

PANDUIT JAPAN  
Tokyo, Japan  
Phone: 81.3.6863.6000

PANDUIT LATIN AMERICA  
Guadalajara, Mexico  
Phone: 52.33.3777.6000

PANDUIT AUSTRALIA PTY. LTD.  
Victoria, Australia  
Phone: 61.3.9794.9020

For a copy of Panduit product warranties, log on to [www.panduit.com/warranty](http://www.panduit.com/warranty)

For more information

Visit us at [www.panduit.com](http://www.panduit.com)

Contact Customer Service by email: [cs@panduit.com](mailto:cs@panduit.com)  
or by phone: 800.777.3300



©2021 Panduit Corp.  
ALL RIGHTS RESERVED.  
NKSP67--WW-ENG  
4/2021