

Part number

CZP 15 LS2



Surface mounting housing, IL-BRID series, with 1 lever, Pg16 x 2 cable entry, size "49.16", with metal cover

Product description

| | |
|----------------------|------------------------------|
| Product type | Surface mounting housing |
| Series | IL-BRID |
| Closing type | With 1 lever |
| Size | Size 49.16 |
| Cable entry | With cable entry Pg16 x 2 |
| Specification | With metal cover |

Technical data

IP degree of protection IP65 / IP66 / IP69

Further technical details

| | |
|---|----------------|
| Weight | 200,00 g |
| Operating temperature range (min, max) | -40°C...+125°C |

Material properties

| | |
|------------------------------|--|
| Other materials | Lever: Polyamide (PA) and Stainless steel core |
| Colour | RAL 7040 grey |
| RoHs conformity | Compliant |
| China RoHs - EFUP | E |
| REACH SVHC substances | No |

Approvals / Standards

| | |
|------------|-------|
| UL | ECBT2 |
| cUL | ECBT8 |

General ordering information

EAN13 code 8015747044691

Packaging Information

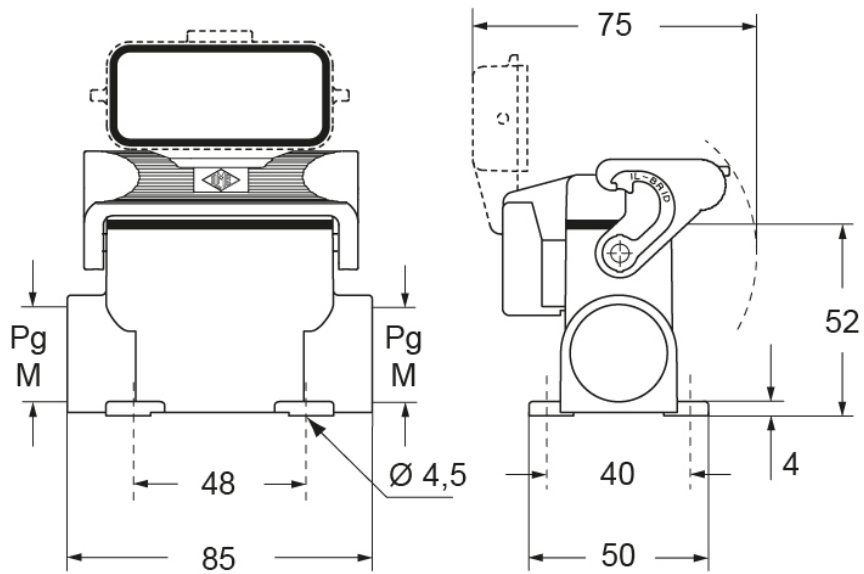
| | |
|----------------------------------|----------------------|
| Packaging length | 190,00 mm |
| Packaging height | 125,00 mm |
| Packaging width | 330,00 mm |
| Packaging weight | 2,24 kg |
| Packaging volume | 7,84 dm ³ |
| Packaging description | Carton box |
| Packaging quantity | 10 Pcs |
| Packaging EAN code | 8015747220392 |
| Sub-packaging weight | 1,12 kg |
| Sub-packaging description | Plastic packaging |
| Sub-packaging quantity | 5 Pcs |
| Sub-packaging EAN barcode | 8015747220408 |

Part number

CZP 15 LS2



Catalogue drawings



Notes

Dimensions shown in mm are not binding and may be changed without notice.