

Part number

MIV 24 YX40



Hood, CENTRAL LEVER series, with 1 lever, M40 top cable entry, size "104.27", high construction, inclined

Product description

Product type	Hood
Series	CENTRAL LEVER
Closing type	With 1 lever
Size	Size 104.27
Cable entry	Top cable entry M40
Specification	High construction, inclined

Technical data

IP degree of protection IP65 / IP66 / IP69

Further technical details

Weight	433,00 g
Operating temperature range (min, max)	-40°C...+125°C

Material properties

Other materials	Lever: Stainless steel
Colour	RAL 7040 grey
RoHs conformity	Compliant
China RoHs - EFUP	E
REACH SVHC substances	No

Approvals / Standards

UL	ECBT2
cUL	ECBT8

General ordering information

EAN13 code	8015747166911
eCl@ss 8.1	27440202
ETIM 7.0	EC000437

Packaging Information

Packaging length	330,00 mm
Packaging height	170,00 mm
Packaging width	230,00 mm
Packaging weight	4,40 kg
Packaging volume	12,90 dm ³
Packaging description	Carton box
Packaging quantity	10 Pcs
Packaging EAN code	8015747298179
Sub-packaging weight	0,44 kg
Sub-packaging description	Plastic packaging
Sub-packaging quantity	1 Pcs
Sub-packaging EAN barcode	8015747169035

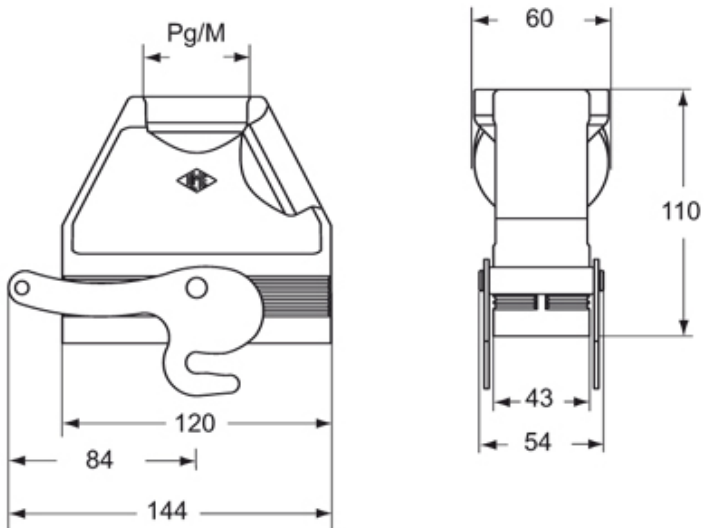
Part number

MIV 24 YX40



Catalogue drawings

CIV..YX MIV..YX



Notes

Dimensions shown in mm are not binding and may be changed without notice.
