

BEF-MWS120-S01

SICK
Sensor Intelligence.



Ordering information

Type	Part no.
BEF-MWS120-S01	2119373

Other models and accessories → www.sick.com/

Detailed technical data

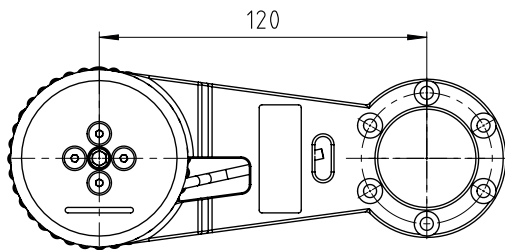
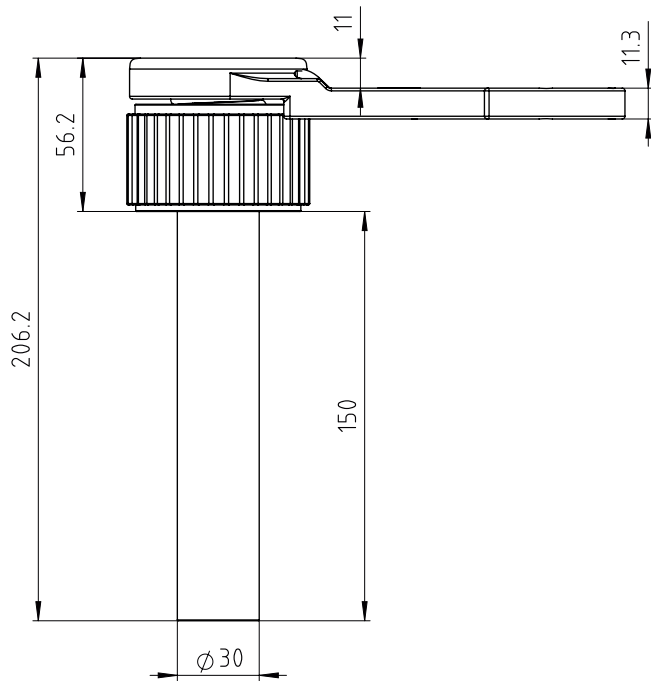
Technical specifications

Accessory group	Other mounting accessories
Accessory family	Modular measuring wheel system
Suitable for	MWS120, direct mounting Ø 60 mm face mount flange encoder with mechanical shaft design "S4" = Ø 10 mm, DBS60, DFS60, AFS60 AFM60. Ø 36 mm encoders such as AHS/AHM36 can be mounted with an adapter flange (part no.: 2072298).
Items supplied	Spring arm, M6 serrated lock washer, M6 counter nut, Positioning disc, Measuring wheel with O-ring surface, Adapter flange, Mounting bracket (optional, art. no. 2084709), rod, longer screw for mounting on the rod
Description	Spring arm for linear measurement with contact, spring contact pressure manually adjustable without tools in 6 increments of 4 N from 0 ... 24 N, can be combined with separately available encoders and measuring wheels.
Specialty	Assembled mounting rod, MWS120-ARM without adapter plate

Classifications

eCl@ss 5.0	21160104
eCl@ss 5.1.4	21160104
eCl@ss 6.0	21160104
eCl@ss 6.2	21160104
eCl@ss 7.0	21160104
eCl@ss 8.0	21160104
eCl@ss 8.1	21160104
eCl@ss 9.0	21160104
eCl@ss 10.0	21160104
eCl@ss 11.0	21160104
eCl@ss 12.0	21160104
ETIM 5.0	EC002179
ETIM 6.0	EC002179
ETIM 7.0	EC002179
ETIM 8.0	EC002179
UNSPSC 16.0901	25191839

Dimensional drawing (Dimensions in mm (inch))



SICK AT A GLANCE

SICK is one of the leading manufacturers of intelligent sensors and sensor solutions for industrial applications. A unique range of products and services creates the perfect basis for controlling processes securely and efficiently, protecting individuals from accidents and preventing damage to the environment.

We have extensive experience in a wide range of industries and understand their processes and requirements. With intelligent sensors, we can deliver exactly what our customers need. In application centers in Europe, Asia and North America, system solutions are tested and optimized in accordance with customer specifications. All this makes us a reliable supplier and development partner.

Comprehensive services complete our offering: SICK LifeTime Services provide support throughout the machine life cycle and ensure safety and productivity.

For us, that is “Sensor Intelligence.”

WORLDWIDE PRESENCE:

Contacts and other locations –www.sick.com