



Product designation	Earth leakage relays		
Product type designation	RM		
General characteristics			
Description	Modular with transparent cover, 1 operating threshold		
N° of operating threshold	1		
Control circuit			
Toroidal transformer	External		
Adjustments			
Tripping set-point ($I_{\Delta n}$)	(x0.1)	A	0.025...0.25
	(x1)	A	0.25...2.5
	(x10)	A	2.5...25
	(external multiplier)	A	25...250
Tripping delay time	(tx1)	s	0.02...0.5
	(tx10)	s	0.2...5
Selection of multiplier for $I_{\Delta n}$ and t	By dip switches		
Resetting	Configurable automatic or manual by button on front		
Test Button	Yes		
Shunt circuit control	No		
Auxiliary supply			
Auxiliary rated supply voltage U_s	24-48VAC/DC		
Output contacts	1		
Rated frequency	Hz	50...60	
Power consumption Max	VA	3	
Relay outputs			
Relay state	Normally de-energised		
Contact arrangement	1 changeover SPDT (trip)		
Rated contact capacity IEC I_{th}	5A - 250VAC		
Insulations			
Power frequency withstand voltage	kV	2.5kV for 60s	
Indications			
Auxiliary voltage available (ON)	Green LED		
Relay tripping (TRIP)	Red LED		
Connections			
Terminals type	Fixed		

Tightening torque for terminals

max	Nm	0.5
max	lbin	4.5

Conductor section

AWG/Kcmil

min		24
max		12

IEC

min	mm ²	0.2
max	mm ²	2.5

Operations

Mechanical life cycles 50000000

Electrical life cycles 300000

Ambient conditions

Temperature

Operating temperature

min	°C	-10
max	°C	+60

Storage temperature

min	°C	-20
max	°C	+80

Relative humidity

% ≤90%

Housing

Material

Self-extinguishing polycarbonate

Mounting

35mm DIN rail

Degree of protection

IP20 terminals

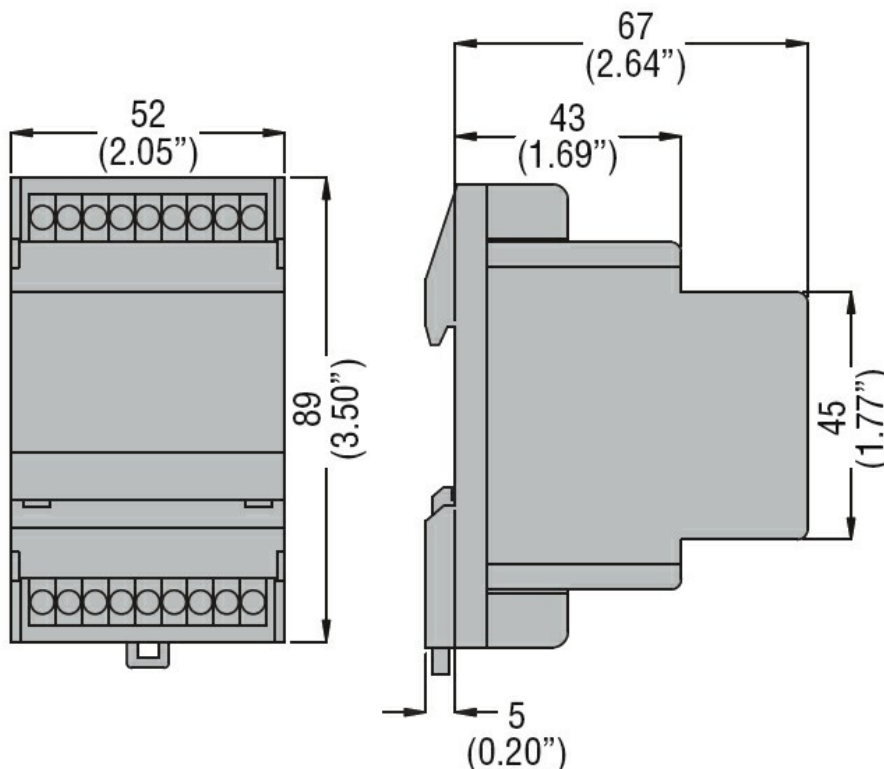
Dimensions (W x H x D)

mm 52x89x72

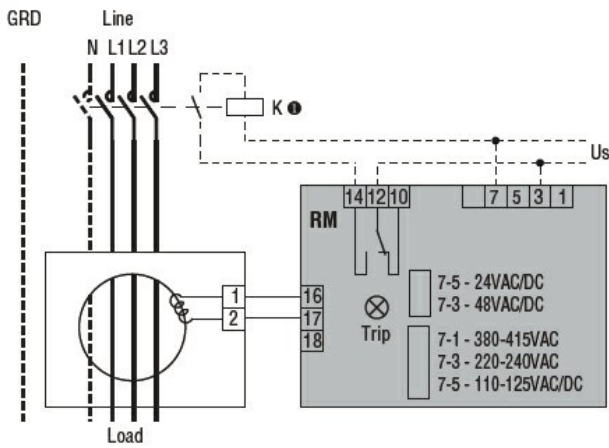
Weight

g 190

Dimensions



Wiring diagrams



Certifications and compliance

Compliant with standards

IEC/EN 60947-2

Certificates

EAC

ETIM classification

ETIM 8.0

EC001445 -
Residual current
monitoring relay