


73000012	<b>DATA SHEET</b>	
Valid from: 18.09.2020	<b>EPIC® POWER LS1 F6 5+PE</b>	

## Description

- Circular connectors for servomotors and power supply
- High power at smallest installation space
- Optimal solution for electric motors
- EMC-optimised design
- Safety use in field environment by high protection class



## General Characteristics

Series	POWER LS 1
Version	Cable coupler for male contacts
Pin configuration	5+PE
Rated voltage (V)	630 V (2mm Contacts)
Rated impulse voltage	6 kV (2mm Contacts)
Rated current (A)	25 A/5+PE (2mm Contacts)
Contact resistance	< 4 mOhm
Contacts	Gold plated brass
Number of contacts	5+PE
Termination methods	Crimp termination: 0.5 – 2.5 mm <sup>2</sup> (2 mm contacts) Crimp termination: 4.0 mm <sup>2</sup> (only 44420095)
Protection	IP 68
Cycle of mechanical operation	500
Temperature range	-25°C to +125°C
Degree of soiling	3

## Product Variations


Package unit =20 pcs: Contacts must be ordered separately

Article- Number	Article	Contacts included	Cable clamping range mm	Pin configuration
Type LS1 F6, Cable coupler, 6-pin for male contacts				
73000012	LS1 F6	6	8,5 - 11	5+PE
73000014	LS1 F6		8,5 - 11	5+PE
73000013	LS1 F6	6	10,5 - 15,5	5+PE
73000015	LS1 F6		10,5 - 15,5	5+PE
76133000	LS1 F6	6	7,5 - 15,5	5+PE
76133510	LS1 F6		7,5 - 15,5	5+PE
44420095	LS1 F6 with 2mm contact for 4mm <sup>2</sup> termination	6	14 - 17	5+PE
44420094	LS1 F6		14 - 17	5+PE

## Materials and Surfaces

Housing	Nickel-plated zinc die-casting, nickel-plated brass
Insert	PA
Seal	FPM

Creator: STKU3/PDP Released: IVSE1/PDP	Document: DB73000012EN Version: 04	Page 1 of 3
---	---------------------------------------	-------------

73000012	<b>DATA SHEET</b>	
Valid from: 18.09.2020	<b>EPIC® POWER LS1 F6 5+PE</b>	

### Approvals

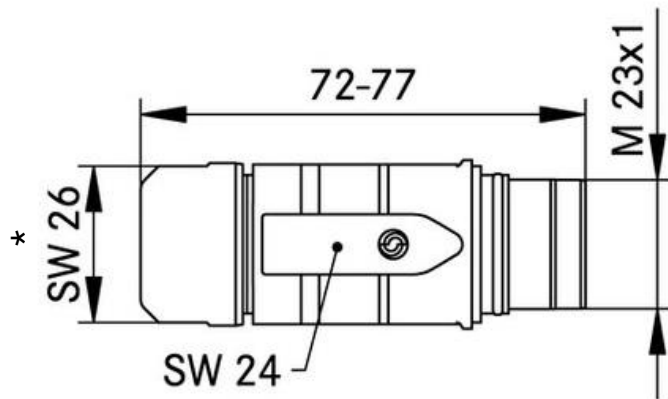
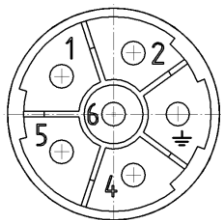
VDE-Approval, VDE-REG.-Nr. B025  
 UL-File-Number E249137

### Standard

Safety Standard IEC 61984, UL 2238, CSA 22.2 182.3



### Technical Drawings



Article Number	*Wrench size
73000012	26
73000014	26
73000013	26
73000015	26
76133000	27
76133510	27
44420095	27
44420094	27



Good chemical resistance



Corrosion-resistant



Industrial machinery and plant engineering




Maximum vibration protection



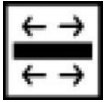
Mechanical resistance

Creator: STKU3/PDP Released: IVSE1/PDP	Document: DB73000012EN Version: 04	Page 2 of 3
---	---------------------------------------	-------------

73000012	<b>DATA SHEET</b>	
Valid from: 18.09.2020	<b>EPIC® POWER LS1 F6 5+PE</b>	



Assembly time



Optimum strain relief



Space requirement



Robust



Integrated SKINTOP® cable gland



Waterproof



Wind Energy



Variety of approval certifications

**Application range**

Plant engineering  
Servo drives and servo assemblies

**Remark**

Photographs are not to scale and do not represent detailed images of the respective products.

Creator: STKU3/PDP Released: IVSE1/PDP	Document: DB73000012EN Version: 04	Page 3 of 3
---	---------------------------------------	-------------