

**COUV COUDE 45 P31 CFB45 50 à 600**  
**Cover for bend 45deg P31 W50 to W600**

**GC**  
**HDG**

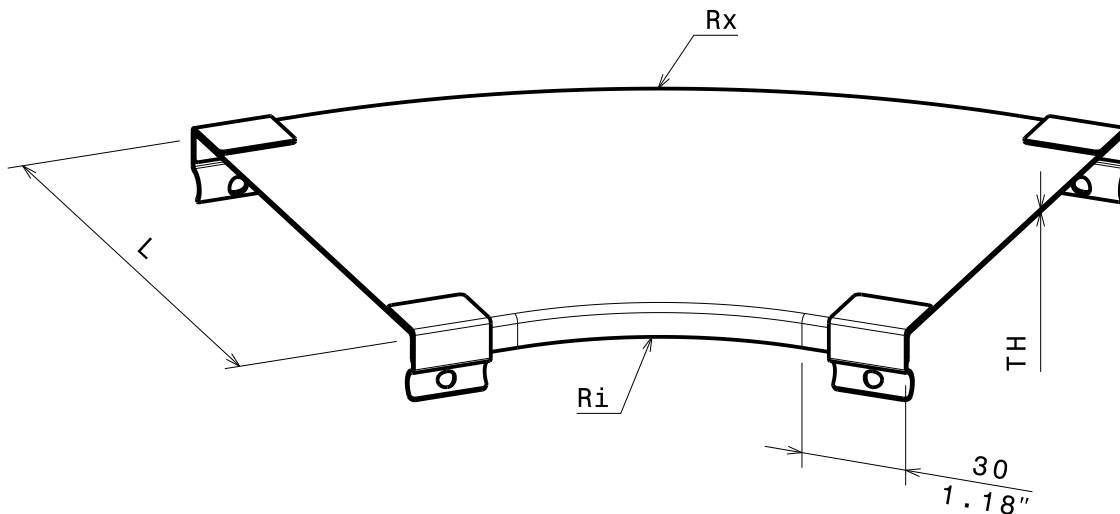


**CABLE**  
**MANAGEMENT**

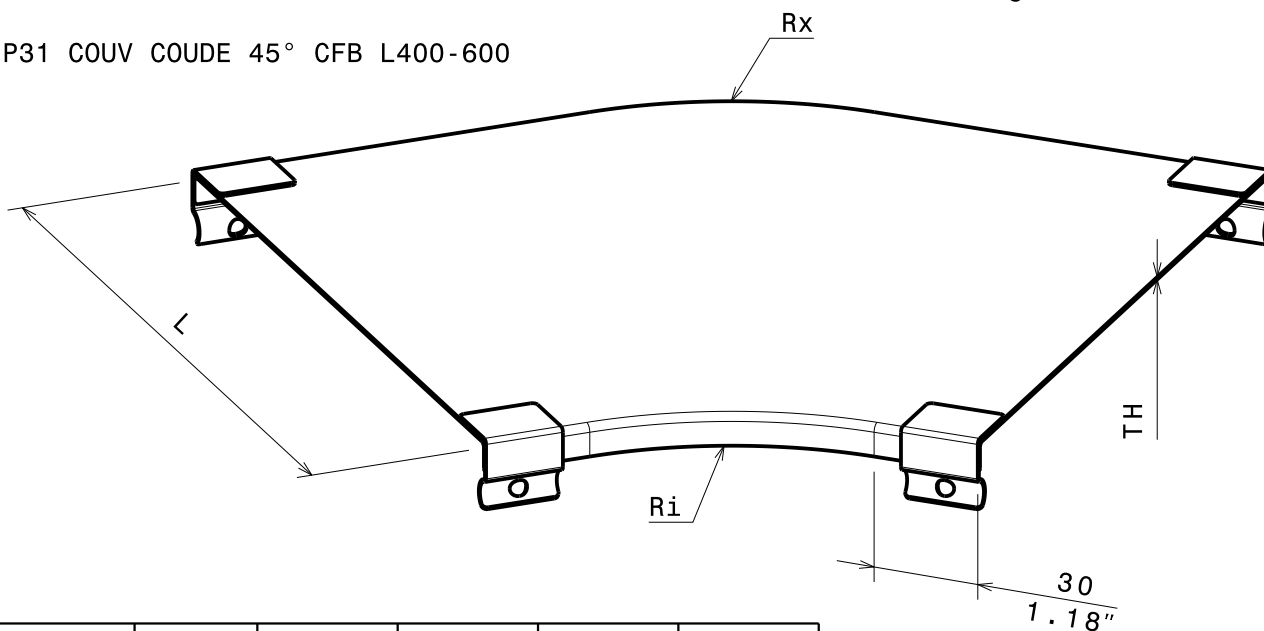
**FT0538-3**

**10 16**

P31 COUV COUDE 45° CFB L50-300



P31 COUV COUDE 45° CFB L400-600



REF	CODE	L /L (mm) (inch)	EP. /TH. (mm) (inch)	Ri /Ri (mm) (inch)	Rx /Rx (mm) (inch)
P31 CFB45 50	342 870	50 (1.97")	0.8 (0.032")	- -	- -
P31 CFB45 75	342 871	75 (2.92")	0.8 (0.032")	100 (3.94")	175 (6.89")
P31 CFB45 100	342 872	100 (3.94")	0.8 (0.032")	100 (3.94")	200 (7.87")
P31 CFB45 150	342 873	150 (5.91")	0.8 (0.032")	100 (3.94")	250 (9.84")
P31 CFB45 200	342 874	200 (5.91")	0.8 (0.032")	100 (3.94")	300 (11.81")
P31 CFB45 300	342 875	300 (7.87")	1 (0.039")	100 (3.94")	400 (15.74")
P31 CFB45 400	342 876	400 (11.81")	1 (0.039")	150 (5.91")	150 (5.91")
P31 CFB45 500	342 877	500 (19.69")	1 (0.039")	150 (5.91")	150 (5.91")
P31 CFB45 600	343 323	600 (23.62")	1 (0.039")	150 (5.91")	150 (5.91")

Material	Standard	Finishes	Standard
S 235 JR	EN 10 025-2	HDG	Class 6 according to CEI 61537