



| | |
|--------------------------|---------------------------------|
| Product designation | Miniature circuit breaker (MCB) |
| Product type designation | P1 MB |
| Number of poles | 3P |
| Number of DIN modules | 3 |
| Compliance | IEC / UL489 |

Electrical features

| | | |
|---|--------|---------|
| Rated insulation voltage U_i IEC/EN | V | 440 |
| Rated impulse withstand voltage U_{imp} | kV | 4 |
| Rated operational voltage AC (IEC) | VAC | 230/400 |
| Rated operational voltage AC (UL) | V | 240 |
| Rated frequency | Hz | 50/60 |
| Rated current (I_n) | A | 35 |
| Tripping curve | | C |
| Short circuit rating (IEC) | kA | 10 |
| Short circuit rating (UL) | kA | 10 |
| Electrical life | cycles | 10000 |
| Power dissipation per pole max | W | 2.46 |

Ambient conditions

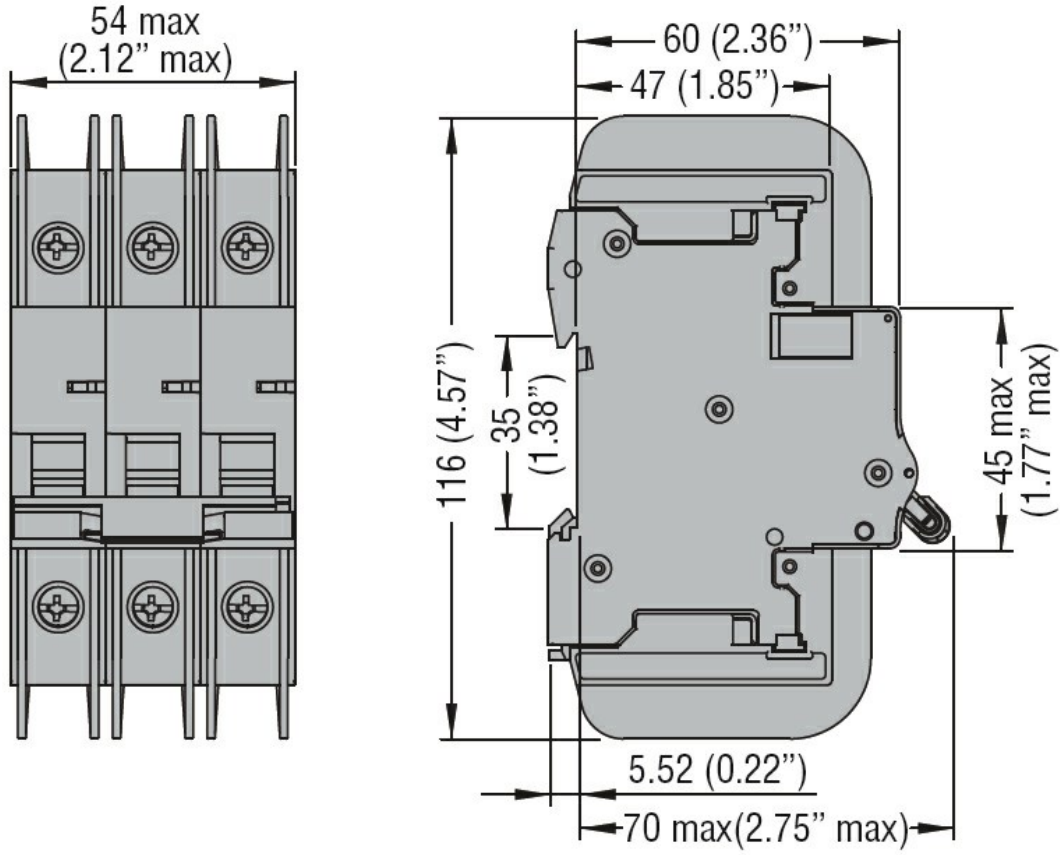
| | | | |
|-----------------------|-----|----|------|
| Operating temperature | min | °C | -40 |
| | max | °C | +70 |
| Storage temperature | min | °C | -40 |
| | max | °C | +80 |
| Max altitude | m | | 2000 |

Mechanical features

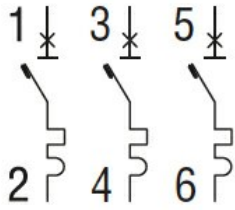
| | | | | |
|---------------------------------|-----------|---------------|-----------------|----|
| Operating position | normal | Vertical plan | | |
| Fixing | | 35mm DIN rail | | |
| Tightening torque for terminals | min | Nm | 1.8 | |
| | max | Nm | 2 | |
| | min | lbin | 16 | |
| | max | lbin | 17.7 | |
| Terminals tool | | Pz 2 | | |
| Conductor section | IEC | min | mm ² | 1 |
| | | max | mm ² | 35 |
| | AWG/Kcmil | min | | 14 |
| | | max | | 6 |
| Mechanical life | cycles | | 20000 | |
| Weight | g | | 388 | |

| | |
|-------------------|------|
| Frontal IP degree | IP20 |
| Pollution degree | 2 |

Dimensions



Wiring diagrams



Certifications and compliance

| | |
|----------------|----------------|
| Compliance | IEC/EN 60947-2 |
| | UL489 |
| Certifications | cULus |
| | EAC |

ETIM classification

| | |
|----------|--|
| ETIM 8.0 | EC000042 - Miniature circuit breaker (MCB) |
|----------|--|