

Part number

MZ7P 25 LS25



Surface mounting housing, CZ7 series, with 1 lever, M25 cable entry, size "66.16", high construction, with metal cover

Product description	
Product type	Surface mounting housing
Series	CZ7
Closing type	With 1 lever
Size	Size 66.16
Cable entry	With cable entry M25
Specification	High construction, with metal cover
Technical data	
IP degree of protection	IP66 / IP67 / IP69
Further technical details	
Weight	238,00 g
Operating temperature range (min, max)	-40°C...+125°C

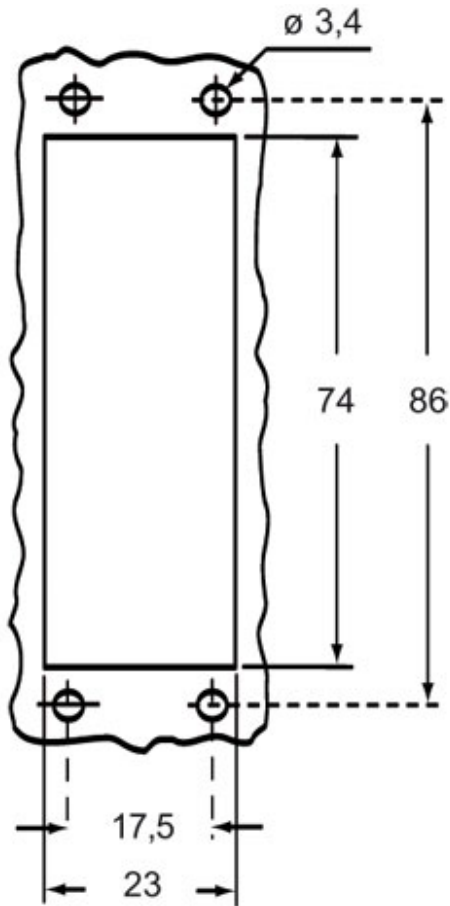
Material properties	
Other materials	Lever: Stainless steel
Colour	RAL 7040 grey
RoHs conformity	Compliant
China RoHs - EFUP	E
REACH SVHC substances	No
Approvals / Standards	
UL	ECBT2
cUL	ECBT8
General ordering information	
EAN13 code	8015747240024
eCl@ss 8.1	27440202
ETIM 7.0	EC000437
Packaging Information	
Packaging length	190,00 mm
Packaging height	125,00 mm
Packaging width	330,00 mm
Packaging weight	2,59 kg
Packaging volume	7,84 dm ³
Packaging description	Carton box
Packaging quantity	10 Pcs
Packaging EAN code	8015747261357
Sub-packaging weight	1,30 kg
Sub-packaging description	Plastic packaging
Sub-packaging quantity	5 Pcs
Sub-packaging EAN barcode	8015747261364

Part number

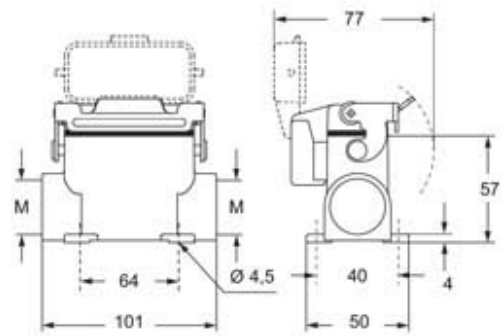
MZ7P 25 LS25



Catalogue drawings



Catalogue drawings



Notes

Dimensions shown in mm are not binding and may be changed without notice.