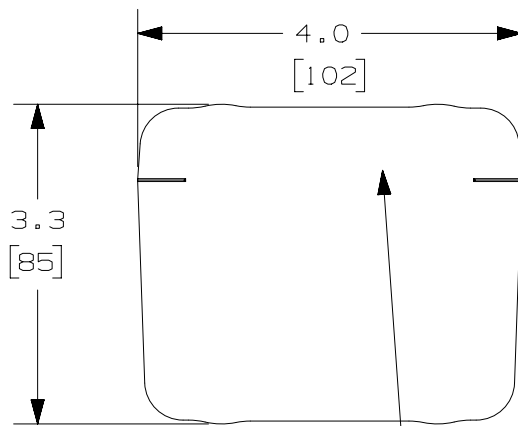


THIS COPY IS PROVIDED ON A RESTRICTED BASIS AND IS NOT TO BE USED IN ANY WAY DETRIMENTAL TO THE INTERESTS OF PANDUIT CORP.

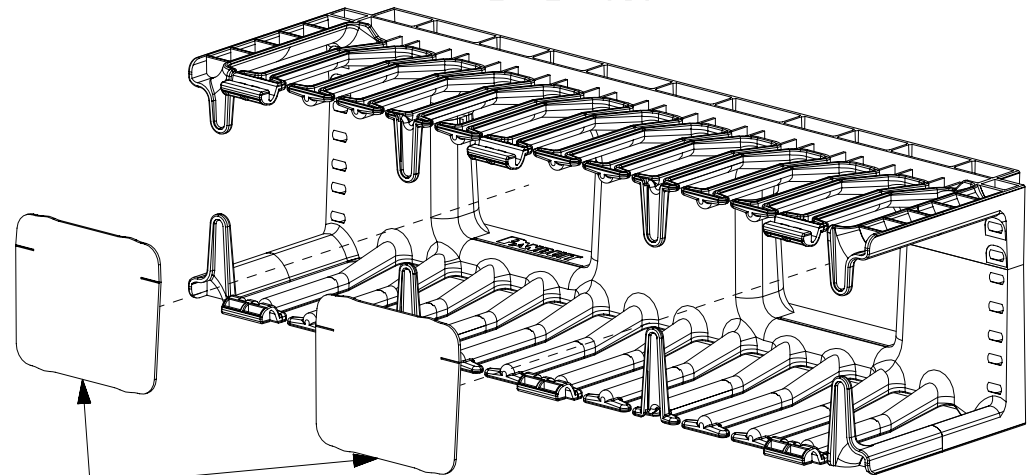
PANDUIT P/N	WEIGHT
NM3B	.2 LBS/EACH 5.7 g/EACH

NOTES:

- VISIT OUR ON-LINE CATALOG AT WWW.PANDUIT.COM FOR A CURRENT LIST OF PRODUCTS APPLICABLE FOR USE WITH THIS PART.
- COMPONENTS:
2-NM3/NMF3 BLANKING PANELS
- DIMENSIONS IN PARENTHESIS ARE METRIC.



BLANKING PANELS
PACKAGED TWO
PER BAG



BLANKING PANELS
SNAP INTO PASS
THROUGH HOLES
OF MANAGER

REV	DATE	BY	CHK	APR	DESCRIPTION	ECN
02C	3-8-17	TWV		JEFK	UPDATED DRAWING TITLE	V10404BU-DC
02B	6-23-15	TWV	MACA	KRKE	ADDED INSTALLATION VIEW	V10404BU-DC
02A	11-11-10	BAME			DRAWING RELEASED	V10404BU-DC

TITLE BLANKING PANELS FOR NM3 AND NMF3 HORIZONTAL MANAGER (NM3B)		CUSTOMER DRAWING	
ITEM REVISION NAME V10404BU/02		PANDUIT	
DATASET FILE NAME V10404BU_DC/02C			
UNLESS OTHERWISE SPECIFIED, DIMENSIONAL TOLERANCES ARE:		MATERIAL: PLASTIC	
INCHES X.X +/- 0.03 X.XX +/- 0.018 X.XXX +/- 0.007	METRIC - MILLIMETER X +/- 0.8 X.X +/- 0.46 X.XX +/- 0.18	ANGLE +/- 1°	DRAWING NUMBER: V10404BU-DC
THIRD ANGLE PROJECTION		SHT 1 OF 1	
DRAWN BY BAME	DATE 11-11-10	CHK	SCALE NONE
		SIZE A	