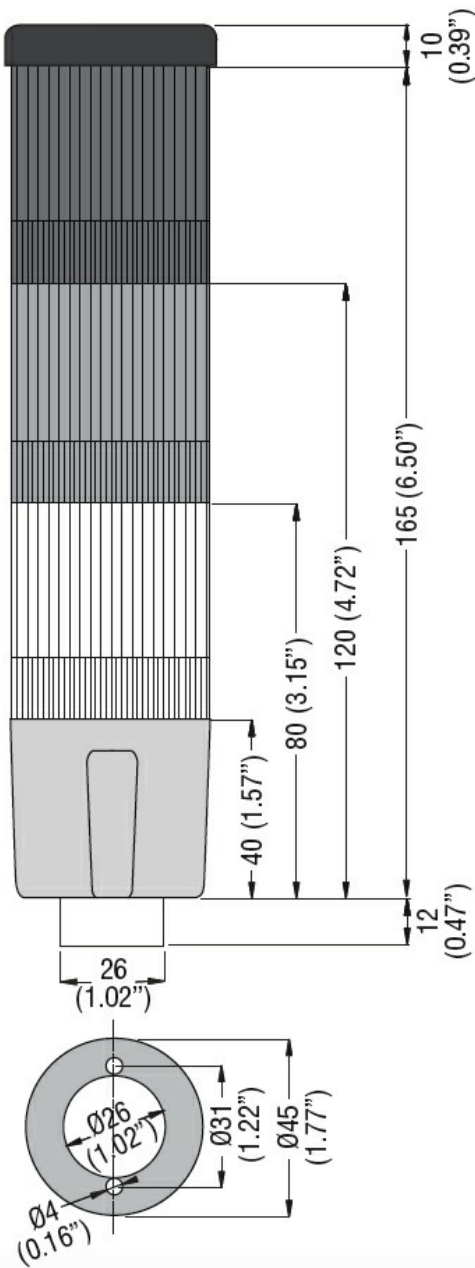
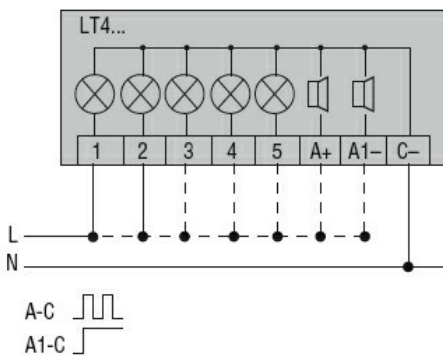




Product designation				Signal tower
Product type designation				Ø45mm/1.7"
				8TL4
<b>General characteristics</b>				
Diameter			mm - inch	45 / 1.77
Supply voltage (DC)			V	24±10%
Colour			Green, red	
IEC degree of protection			IP54	
Light consumption per module (DC)			mA	37
Sound module consumption (DC)			mA	15
Sound intensity			dB	80
<b>Mechanical features</b>				
Tightening torque for terminals max			Nm	0.5
Terminals screw			Screw clamp terminals	
Conductor section	AWG/Kcmil			
			max	16
	IEC			
			max	mm <sup>2</sup> 1.5
Weight			g	240
<b>Ambient conditions</b>				
Temperature	Operating temperature			
			min	°C -20
			max	°C +50
<b>Dimensions</b>				



### Wiring diagrams



### Certifications and compliance

#### Compliance

CSA C22.2 n° 14

---

IEC/EN 60947-1

---

IEC/EN 60947-5-1

---

UL508

---

Certificates

---

cULus

---

EAC

---

ETIM classification

ETIM 8.0

EC001042 -  
Signal tower  
complete