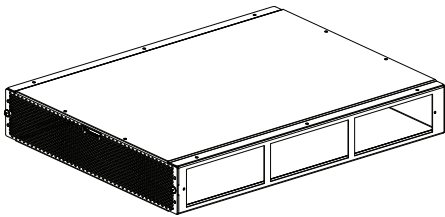
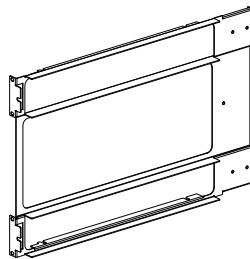


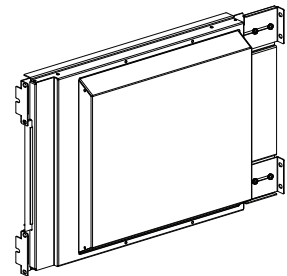
Component Guide



(2) Duct Box



(1) Left Hand Bracket

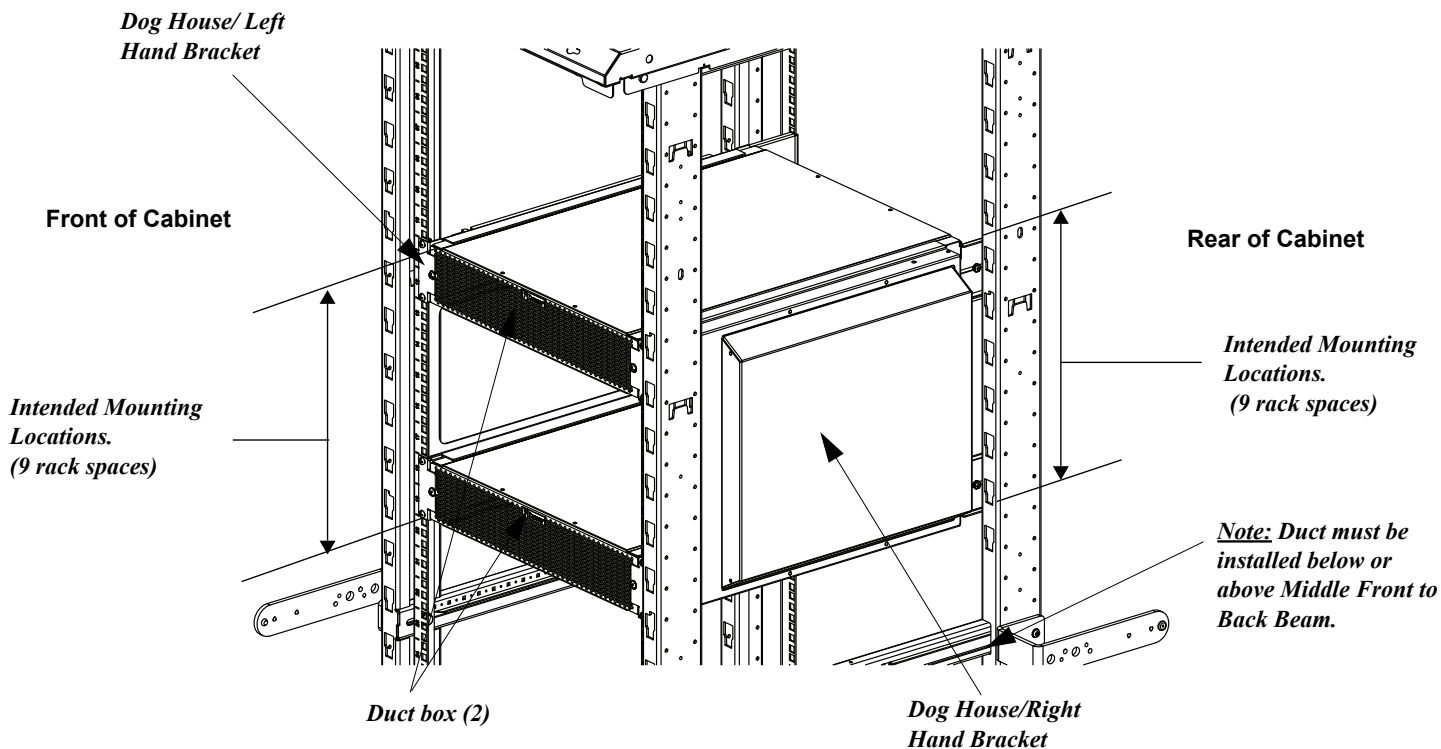


(1) Doghouse/ Right Hand
Bracket

Determine Location of 6504E Duct (Part 1)

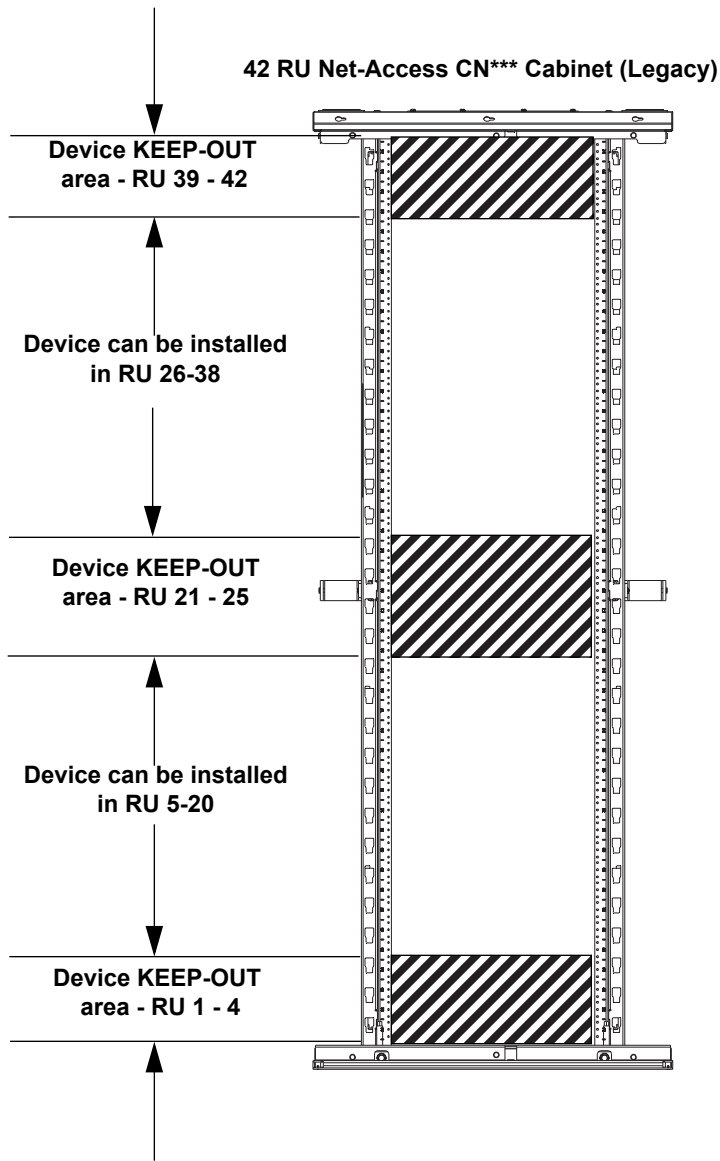
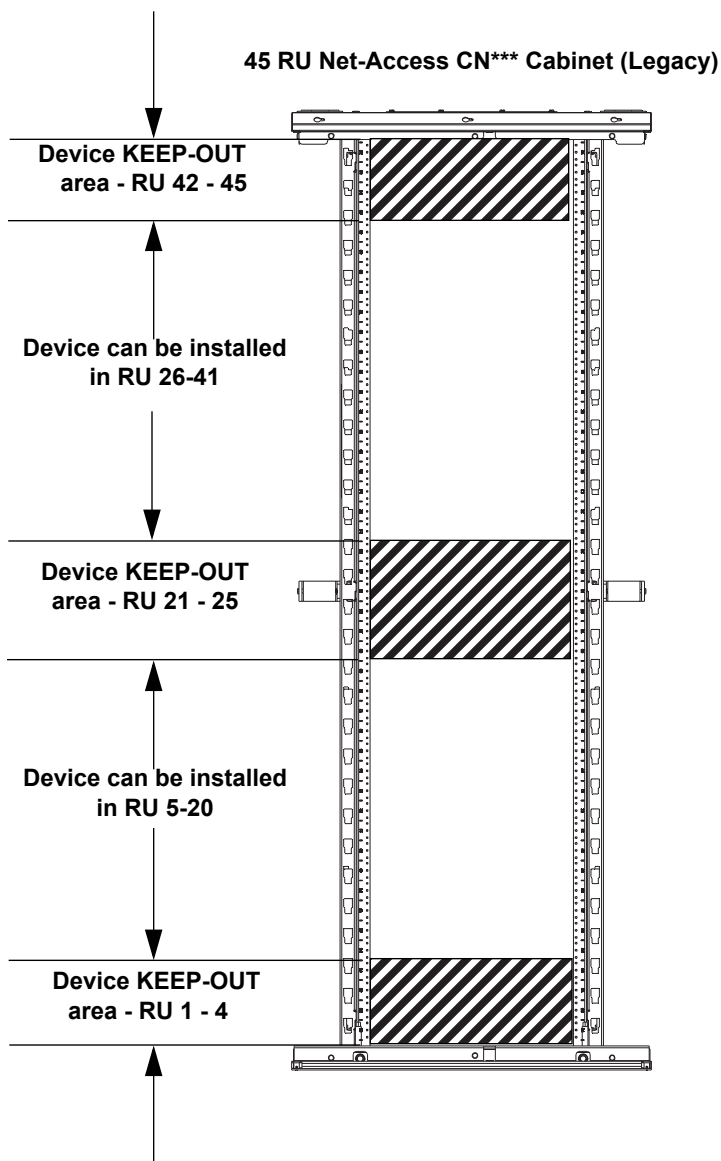
6504E Ducting requires (9) rack spaces for installation. 6504E Duct components are to be installed prior to switch installation and are designed not to support the switch.

NOTE: Front-to-back equipment rail depth must be set between 24.25" and 26.0".



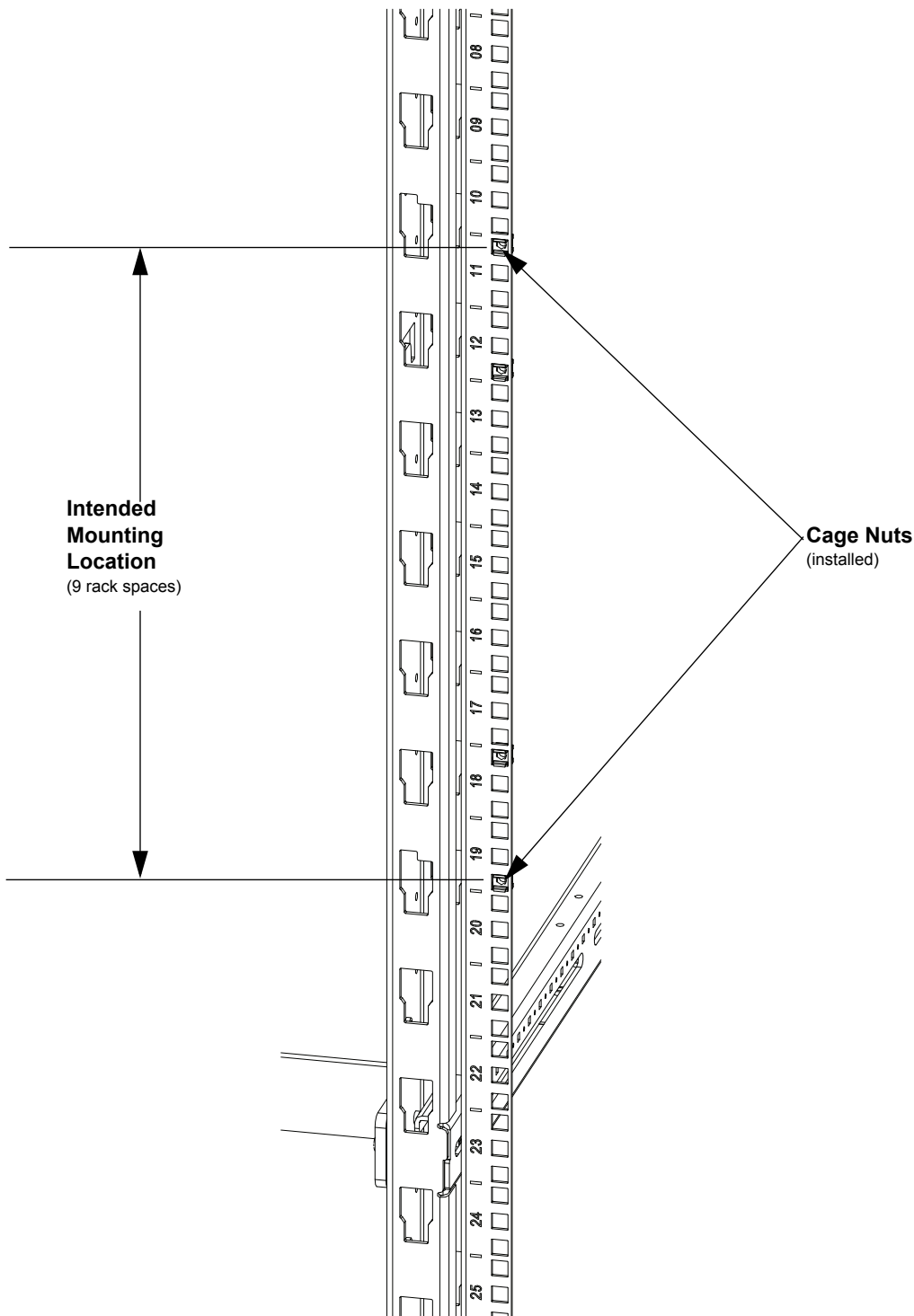
Device Placement

- Due to physical constraints posed by the front-to-back beams on the legacy Net-Access cabinet, there are certain areas of the cabinet that the device cannot be mounted when used in conjunction with this inlet duct.
- For new Net-Access switch cabinets (N***), there are no device keep-out areas. The only restriction on device is that 2 RU must be left open above and below the switch.
- **NOTE: Numbers-up RU numbering (#1 at bottom) assumed.**



Install Cage Nuts

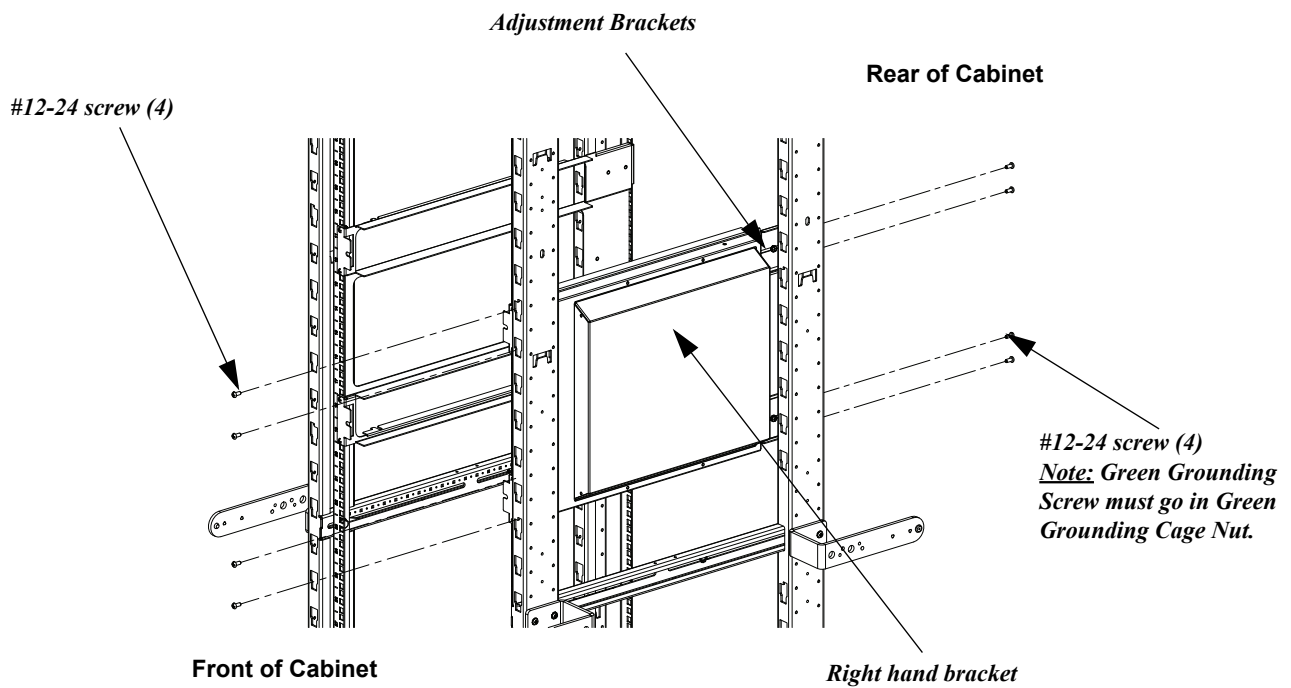
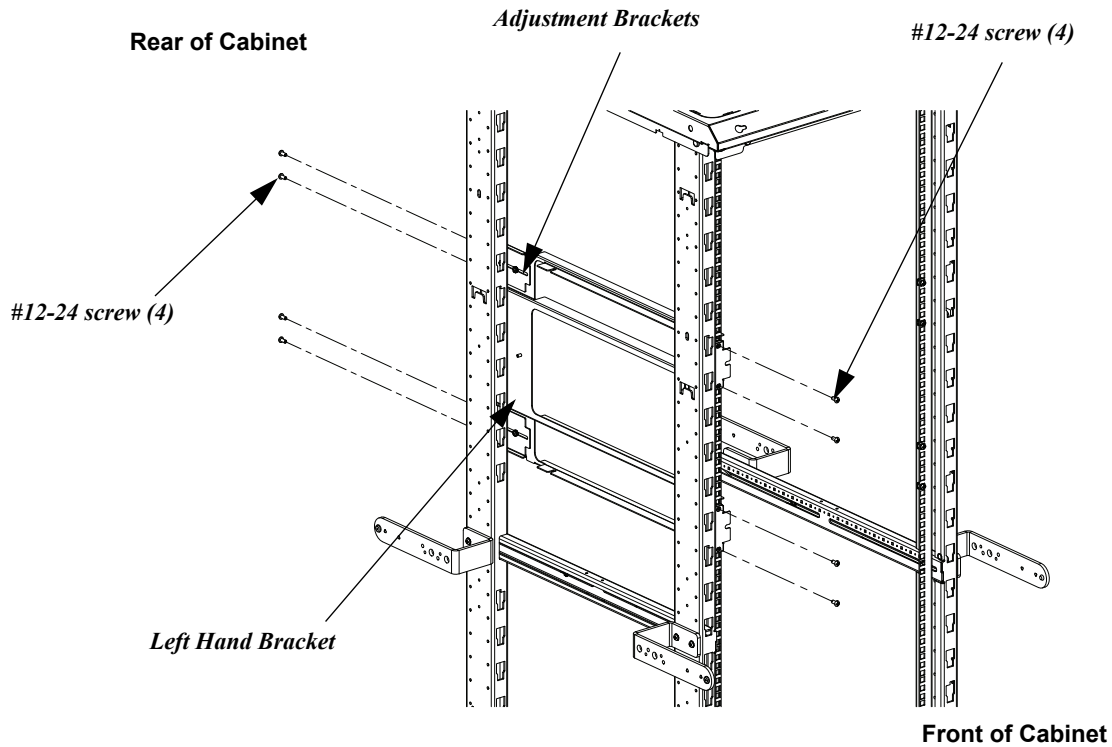
Insert (4) cage nuts per equipment rail at 6504E component mounting locations (16 total cage nuts are to be installed). (1) grounding cage nut (green) **must be** installed in each equipment rail. The view below depicts cage nut locations for (1) intended mounting location.



Left Hand Bracket Installation

Loosen the four nuts for the adjustment brackets and adjust the brackets to match the distance between the front and rear rails of the Server Cabinet. Align the Left Hand Bracket with the desired rack space, fasten the bracket using (4) #12-24 in the front rail and (4) in the rear rail. Tighten nuts on adjustment rail to lock in place.

-Repeat previous steps for Right hand bracket.



Duct Box Installation

Insert lower duct box into Left Hand Bracket and Right Hand Bracket by sliding duct box along the lower flange. Push in until stop has reached, secure box with (4) #12-24 and (4) #12 external tooth lock washer.

-Repeat previous steps for upper duct box.

