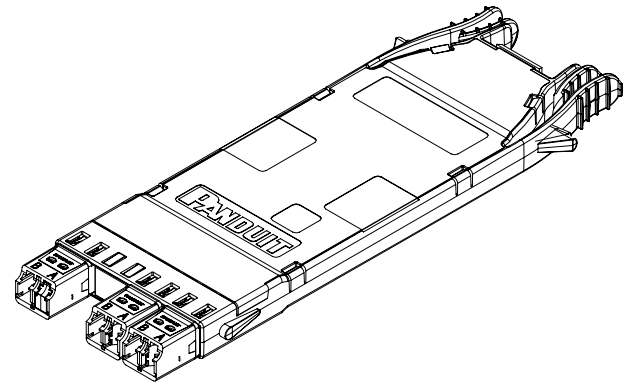


NOTES:

1. VISIT OUR ON-LINE CATALOG AT WWW.PANDUIT.COM FOR A LIST OF CURRENT PARTS APPLICABLE FOR USE WITH THIS PRODUCT.
2. DIMENSIONS IN [] ARE METRIC.
3. ALL MATERIALS AND COMPONENTS USED MEET THE MATERIAL RESTRICTIONS OF RoHS (EUROPEAN DIRECTIVE 2011/65/EU ON THE RESTRICTION OF HAZARDOUS SUBSTANCES) AS PROPOSED BY THE RoHS TECHNICAL ADAPTATION COMMITTEE.
4. MATERIAL AND COLOR:
CASSETTE BODY: BLACK PLASTIC
ADAPTERS: APC GREEN



PART NUMBER	DESCRIPTION	MAXIMUM IL (1260-1650nm)	MAXIMUM IL UNIFORMITY	MINIMUM RL
FHP9N-LA1X04	HD Flex PON Splitter Cassette, 1x4, 3/4 width, LC/APC to LC/APC	7.5 dB	1.0 dB	55 dB

TITLE HD Flex PON Splitter Cassette, 1x4, 3/4 width, LC/APC to LC/APC CUSTOMER DRAWING				
ITEM REVISION NAME 00801EAC/00				
DATASET FILE NAME 00801EAC_DC/00A				
MATERIAL N/A		DRAWING NUMBER 00801EAC-DC		
DRAWN BY SAT	DATE 01/07/2021	CHK BJBE	SCALE NONE	SHEET 1 OF 1

00A	02-09-21	SAT	BJBE	EJH	INITIAL RELEASE	
REV	DATE	BY	CHK	APR	DESCRIPTION	ECN