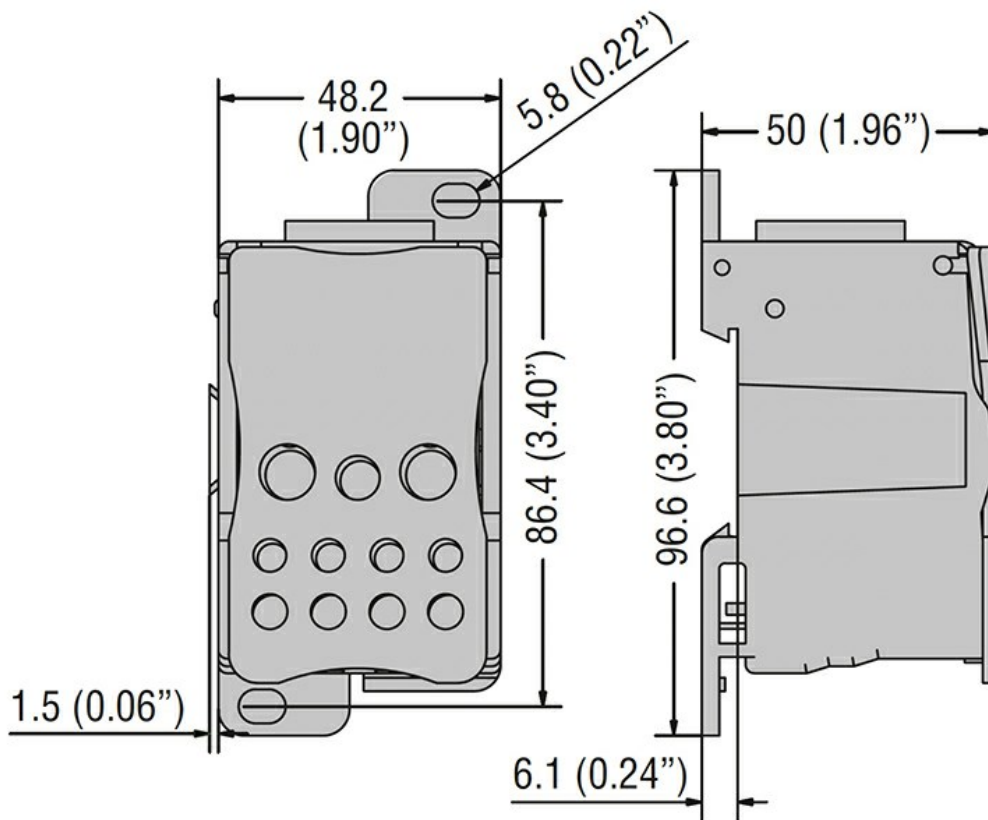




Product designation		Power distribution block
<b>Electrical features</b>		
Number of poles		1
Rated insulation voltage Ui	V	1000
IEC Conventional free air thermal current Ith	A	520
Rated peak withstand current Ipk	kA	51
Rated short time current Icw 60s	A	24.5
<b>Connections</b>		
Terminal hole diameter_Option 1	mm	Slot 25x9.5mm
Conductor section connectable_Option 1	mm <sup>2</sup>	flexible busbar 25x9.5mm
Terminal hole diameter_Option 2	mm	2x9.5mm
Conductor section connectable_Option 2	mm <sup>2</sup>	6...35
	AWG	14..1
Terminal hole diameter_Option 3	mm	5x7.5mm
Conductor section connectable_Option 3	mm <sup>2</sup>	2.5...16
	AWG	14...4
	Terminal hole diameter_Option 4	mm
Conductor section connectable_Option 4	mm <sup>2</sup>	4x6mm
	mm <sup>2</sup>	2.5...10
	AWG	14...6
<b>Mechanical features</b>		
Operating position	normal allowable	Vertical plane Any
Fixing		Screw / DIN rail 35mm
Metric Allen Key	mm	3-4-5
Weight	g	393
<b>Resistance &amp; Protection</b>		
Terminals IP degree		IP20 front
<b>Dimensions</b>		



### Certifications and compliance

#### Certifications

IEC/EN/BS 60947-7-1

#### Compliance

cURus

### ETIM classification

EC000066 - Power contactor, AC switching