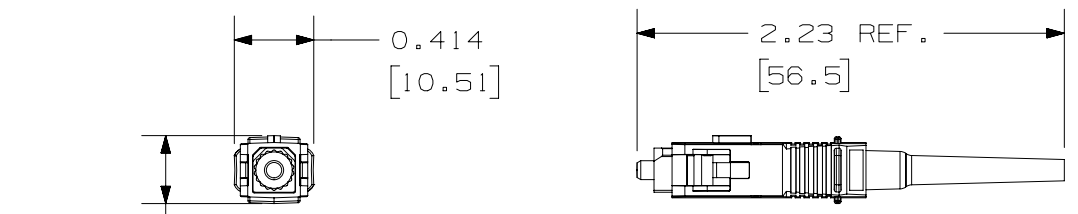
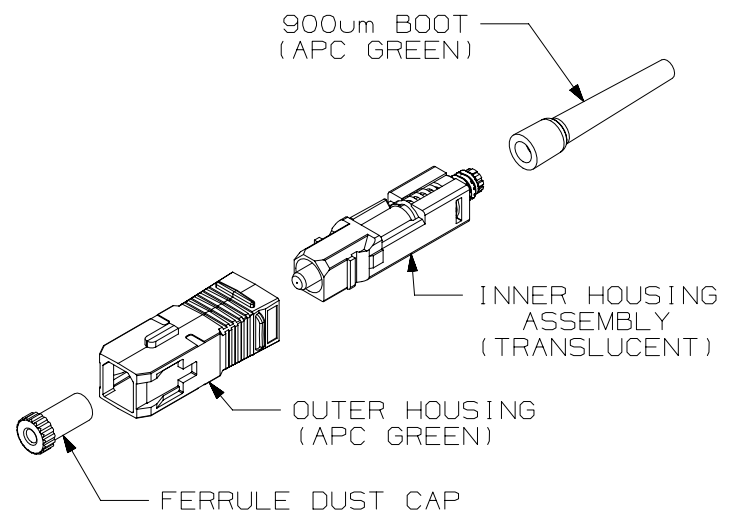


THIS COPY IS PROVIDED ON A RESTRICTED BASIS AND IS NOT TO BE USED IN ANY WAY DETRIMENTAL TO THE INTERESTS OF PANDUIT CORP.



NOTES:

1. SEE CATALOG FOR ADDITIONAL PART NUMBER SUFFIXES TO INDICATE COLOR AND/OR PACKAGE QUANTITY.
2. ACCEPTS 900um BUFFERED GLASS OPTICAL FIBER.
3. FULLY COMPLIES WITH THE FIBER OPTIC CONNECTOR PERFORMANCE REQUIREMENTS AS SPECIFIED BY ANSI/TIA-568-D.
4. MATERIAL:
 BODY/HARDWARE: PLASTIC
 BOOT: THERMOPLASTIC RUBBER
 FERRULE: ZIRCONIA CERAMIC
5. DIMENSIONS IN [] ARE METRIC.
6. 1.6/2.0mm AND 3.0mm BOOT ASSEMBLIES ARE AVAILABLE.
7. ALL MATERIALS AND COMPONENTS USED MEET THE MATERIAL RESTRICTIONS OF RoHS (EUROPEAN DIRECTIVE 2011/65/EC ON THE RESTRICTION OF HAZARDOUS SUBSTANCES) AS PROPOSED BY THE RoHS TECHNICAL ADAPTATION COMMITTEE.



PANDUIT PART NUMBER	FIBER TYPE
FSC2SCAG	9µm OS1/OS2

REV	DATE	BY	CHK	APR	DESCRIPTION	ECN
00A	8-22-22	BJN	BSN	SKH	RELEASED TO PRODUCTION	00648EDA-DC

TITLE		OPTICAM SC APC CONNECTOR	
CUSTOMER DRAWING			
ITEM REVISION NAME		00648EDA/00	
DATASET FILE NAME		00648EDA_DC/00A	
UNLESS OTHERWISE SPECIFIED, DIMENSIONAL TOLERANCES ARE: IN (mm)			
.x ± .xxx ± .010 [0.3]			
.xx ± .03 [0.8] ANGLES ±		PART NO. SEE TABLE	
		DRAWING NUMBER: 00648EDA-DC	
DRAWN BY	DATE	CHK	SCALE
BJN	08-22-22	BSN	1 : 1
SHT 1 OF 1			SIZE A