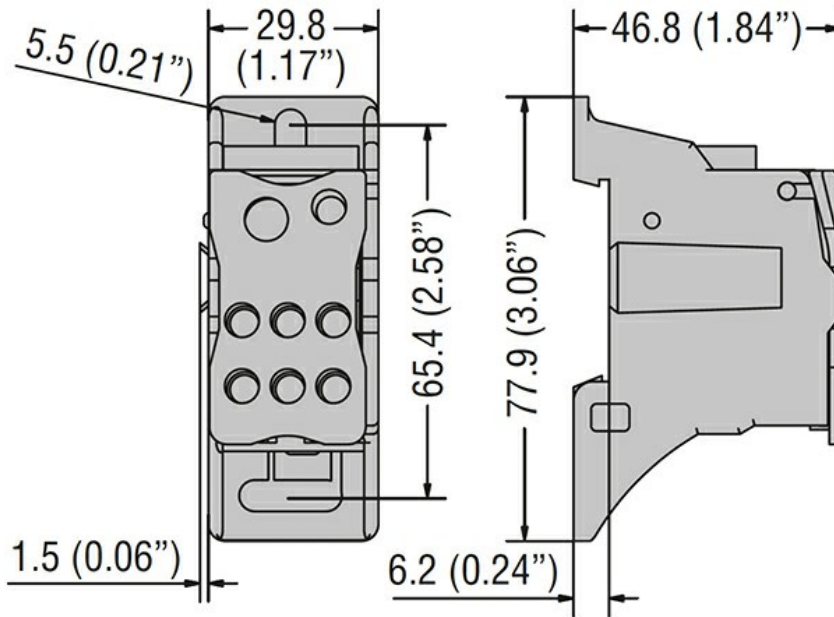




Product designation	Power distribution block	
Electrical features		
Number of poles		1
Rated insulation voltage Ui	V	1000
IEC Conventional free air thermal current Ith	A	200
Rated peak withstand current Ipk	kA	30
Rated short time current Icw 60s	A	11.8
Connections		
Terminal hole diameter_Option 1	mm	1x12mm
Conductor section connectable_Option 1	mm2 AWG	10...70 8..3/0
Terminal hole diameter_Option 2	mm	1x7.5mm
Conductor section connectable_Option 2	mm2 AWG	6..16 14...2
Terminal hole diameter_Option 3	mm	6x6mm
Conductor section connectable_Option 3	mm2 AWG	2.5...16 14...4
Mechanical features		
Operating position	normal allowable	Vertical plane Any
Fixing		Screw / DIN rail 35mm
Metric Allen Key	mm	3-6
Weight	g	154
Resistance & Protection		
Terminals IP degree		IP20 front
Dimensions		



Certifications and compliance

Certifications

IEC/EN/BS 60947-7-1

Compliance

cURus

ETIM classification

EC000066 - Power contactor, AC switching

□