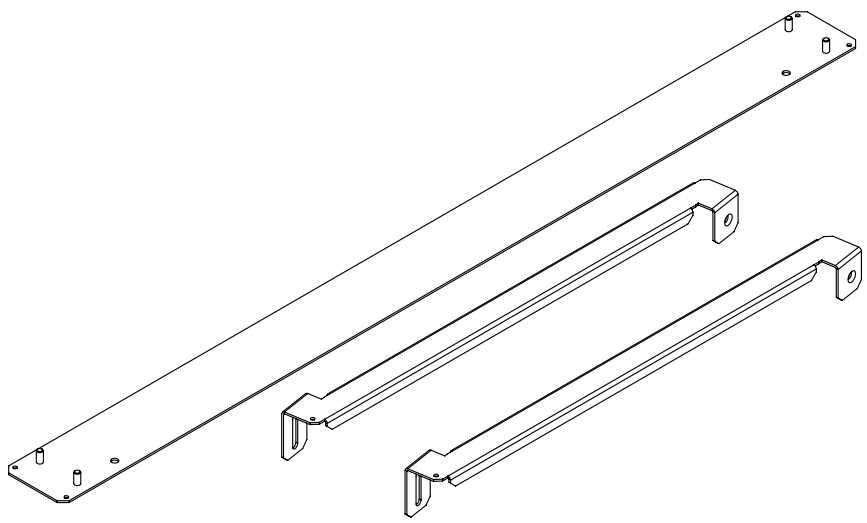


2

1

THIS COPY IS PROVIDED ON A RESTRICTED BASIS AND IS NOT TO BE USED IN ANY WAY DETRIMENTAL TO THE INTERESTS OF PANDUIT CORP.

PANDUIT P/N	DESCRIPTION	COLOR	WEIGHT
CUVWA06S06STB1	NET-CONTAIN UAC VERTICAL WALL ADAPTER 600mm WIDE	BLACK	0.44 Kg/EACH [0.9 LBS/EACH]
CUVWA06S06STW1	NET-CONTAIN UAC VERTICAL WALL ADAPTER 600mm WIDE	WHITE	0.44 Kg/EACH [0.9 LBS/EACH]
CUVWA07S07STB1	NET-CONTAIN UAC VERTICAL WALL ADAPTER 700mm WIDE	BLACK	0.47 Kg/EACH [1.0 LBS/EACH]
CUVWA07S07STW1	NET-CONTAIN UAC VERTICAL WALL ADAPTER 700mm WIDE	WHITE	0.47 Kg/EACH [1.0 LBS/EACH]
CUVWA08S08STB1	NET-CONTAIN UAC VERTICAL WALL ADAPTER 800mm WIDE	BLACK	0.50 Kg/EACH [1.1 LBS/EACH]
CUVWA08S08STW1	NET-CONTAIN UAC VERTICAL WALL ADAPTER 800mm WIDE	WHITE	0.50 Kg/EACH [1.1 LBS/EACH]



1. VISIT OUR ON-LINE CATALOG AT WWW.PANDUIT.COM FOR A LIST OF CURRENT PARTS APPLICABLE FOR USE WITH THIS PRODUCT.
2. PARTS SUPPLIED:
 - 1- VERTICAL WALL ADAPTER
 - 2- WALL BRACE BRACKET
 - 1- HARDWARE KIT
 - 1- INSTRUCTION SHEET
3. PRIMARY DIMENSIONS ARE IN MILLIMETERS.

B

B

A

A

D10100DA/16

						TITLE (CUVWA**S**ST**) NET-CONTAIN UAC VERTICAL WALL ADAPTER						
						CUSTOMER DRAWING						
						ITEM REVISION NAME 12V359SS/00		PANDUIT				
						DATASET FILE NAME 12V359SS_DC/00A						
								MATERIAL: N/A				
00A 5-29-14 PBS PATR SGI RELEASED TO PRODUCTION						12V359SS-DC		DRAWING NUMBER: 12V359SS-DC				
REV	DATE	BY	CHK	APR	DESCRIPTION	ECN	DRAWN BY PBS	DATE 5-29-14	CHK PATR	SCALE NONE	SHT 1 OF 1	SIZE A

2

1