

Product designation				Rotary cam switches
Product type designation				7GN63
General characteristics				
Switching diagram				20 - Dahlander motor 2-speed reversing switch
N° of elements				6
Mounting form				U - Front mounting with black handle
Contact characteristics				
Rated insulation voltage U_i	IEC/EN	V	690	
	UL/CSA	V	600	
Rated impulse withstand voltage U_{imp}			kV	6
Conventional free air thermal current I_{th}	IEC/EN	A	63	
	UL/CSA	A	60	
Rated operational voltage			V	480
Rated operational impulse voltage			kV	4
Maximum fuse size for short-circuit protection I_n (gG)	10kA	A	63	
	15kA	A	63	
	25kA	A	63	
	50kA	A	63	
	63kA	A	63	
Rated short time current I_{cw}			1s	A
				1600
Conductivity				10/5 mA/V
Operational current I_e IEC/EN	AC1/AC21A		A	63
	AC15			
		110V	A	32
		220/230V	A	25
		380/400V	A	15
		660/690V	A	4
Rated operational power in AC	Three-phase AC-3			
			220/230V	kW
			380/440V	kW
			500/690V	kW
				11
				18.5
				18.5
	Single-phase AC-3			
			110V	kW
			220/230V	kW
			380/440V	kW
				3.7
			6.5	
			11.5	
Three-phase AC23A				
		220/230V	kW	
		380/440V	kW	
		500/690V	kW	
			12.5	
			30	
			30	
Single-phase AC23A				
		110V	kW	
			3.7	

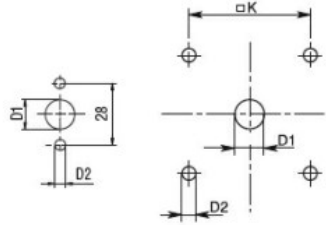
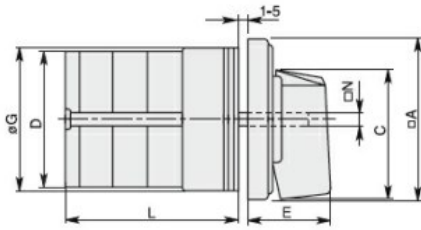
		220/230V	kW	7.5
		380/440V	kW	12.5
Rated operational current in DC				
DC21A				
		48V	A	63
		60V	A	50
		110V	A	8
		220V	A	1
DC23A (poles in series)				
		24V	A	50 (1)
		48V	A	50 (2)
		60V	A	50 (3)
		110V	A	25 (3)
		220V	A	15 (4)
DC13				
		24V	A	63
		48V	A	40
		60V	A	28
		110V	A	3.3
Power dissipation			W	3.4
Mechanical features				
Terminals screw				M5
Tightening torque for terminals max			Nm	2
Conductor size				
AWG - Rigid cable				
	min	AWG	14	
	Max	AWG	6	
AWG - Flexible cable				
	min	AWG	14	
	Max	AWG	8	
Conductor size (IEC) - Flexible cable				
	min	mm ²	2.5	
	Max	mm ²	10	
Conductor size (IEC) - Rigid cable				
	min	mm ²	2.5	
	Max	mm ²	16	
Mechanical life			cycles	5x10 ⁶
UL technical data				
Motor power for direct-on-line control				
for three-phase motor				
	120V	HP	7.5	
	240V	HP	15	
	480V	HP	25	
	600V	HP	25	
for single-phase motor				
	120V	HP	3	
	240V	HP	10	
Ambient conditions				
Temperature				
Operating temperature				
	min	°C	-25	
	max	°C	+55	
Storage temperature				
	min	°C	-40	

max °C +70

Resistance & Protection

Frontal IP degree	IP40
Terminals IP degree	IP00

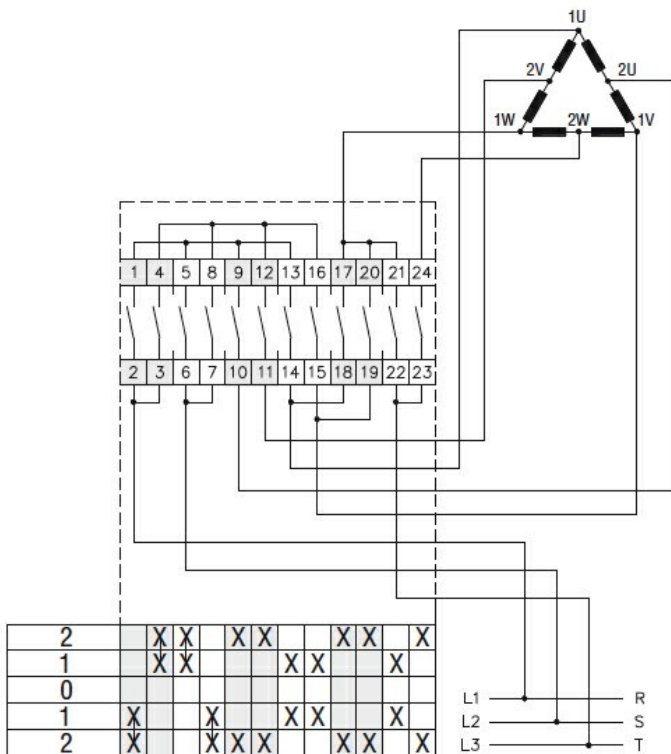
Dimensions



Standard drillings for 7GN125.
Drillings on request for 4 screws fixing
(4V version).

Series	Dimensions									L Number of elements											
	□A	C	ØD	ØD1	ØD2	E	ØG	□K	□N	1	2	3	4	5	6	7	8	9	10	11	12
7GN12	48	39.5	39	12	5	26.5	38	36	6	36.1	45.8	55.5	65.2	74.9	84.6	94.3	104	113.7	123.4	133.1	142.8
7GN20	48	39.5	39	12	5	26.5	38	36	6	36.1	45.8	55.5	65.2	74.9	84.6	94.3	104	113.7	123.4	133.1	142.8
7GN25	48	39.5	43	12	5	26.5	38	36	6	40.5	54.1	67.7	81.3	94.9	108.5	122.1	135.7	147.3	162.9	176.5	190.1
7GN32	65	53	58	14	5	34.5	58.5	48	7	46.5	61.6	76.7	91.8	106.9	122	137.1	152.2	167.3	182.4	197.5	212.6
7GN40	65	53	58	14	5	34.5	58.5	48	7	46.5	61.6	76.7	91.8	106.9	122	137.1	152.2	167.3	182.4	197.5	212.6
7GN63	65	53	62	14	5	34.5	58.5	48	7	50.3	68.4	86.5	104.6	122.7	140.8	158.9	177	195.1	213.2	231.3	249.4
7GN125	90	70.5	86	16	6	41.5	84	68	9	67.3	96.4	125.5	154.6	183.7	220.3	249.4	278.5	307.6	336.7	365.8	394.9

Wiring diagrams



Certifications and compliance

Compliance

- CSA C22.2 n° 14
- IEC/EN/BS 60947-1
- IEC/EN/BS 60947-3
- IEC/EN/BS 60947-5-1

UL60947-4-1

Certificates

cCSAus

EAC

UL

ETIM classification

ETIM 8.0

EC001029 -
Selector switch,
complete