



Product designation				Enclosed changeover switch
Product type designation				GAZ
Number of poles	Nr.			4
Operating voltage type				AC
Contact characteristics				
IEC Conventional free air thermal current I _{th}	A			125
Rated insulation voltage U _i IEC/EN	V			1000
Rated impulse withstand voltage U _{imp}	kV			8
Operating current I _e				
AC21A	400V	A	125	
	500V	A	125	
	690V	A	125	
AC22A	400V	A	125	
	500V	A	125	
	690V	A	125	
AC23A	400V	A	125	
	500V	A	100	
	690V	A	47	
Power dissipation per pole max	W			6.3
Rated operational power AC23A	400V	kW	55	
	690V	kW	45	
Conditional short-circuit current (rms)	kA			50
Short-circuit protection with fuse	Class/A			gG125
Making capacity AC23A 400V	A			1250
Breaking capacity AC23A 400V	A			1000
Mechanical life	cycles			30000
Electrical life AC21A	cycles			30000
Mechanical features				
Operating position	normal allowable			Vertical plan Any
Terminals	type			Pillar
	width	mm	12.4	
	height	mm	10.4	
	screw			M8
	tool			Metric Allen key 4
Tightening torque for terminals	min	Nm	5	

max	Nm	6
min	lbin	45
max	lbin	54

Conductor section

IEC min	mm ²	4
IEC max	mm ²	70
AWG/kcmil min		12
AWG/kcmil max		1

Ambient conditions

Operating temperature

min	°C	-25
max	°C	+55

Storage temperature

min	°C	-40
max	°C	+70

Max altitude

m	3000
---	------

Resistance & Protection

Frontal IP degree

IP65

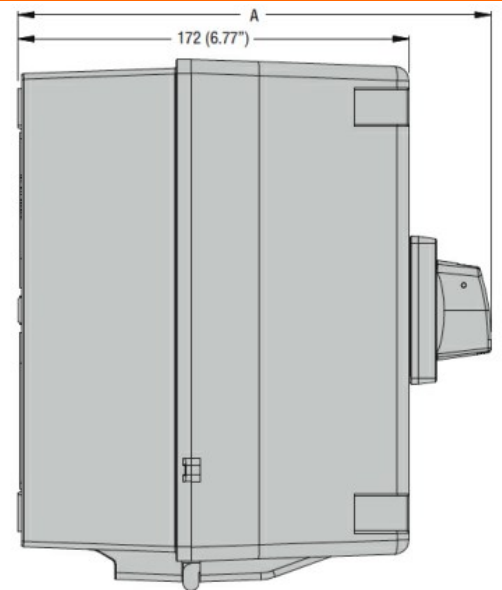
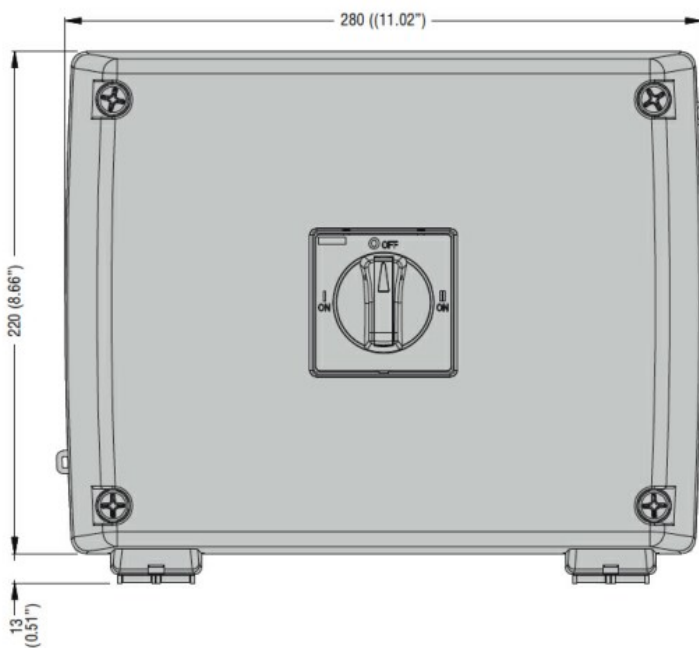
IP degree of protection

IP65

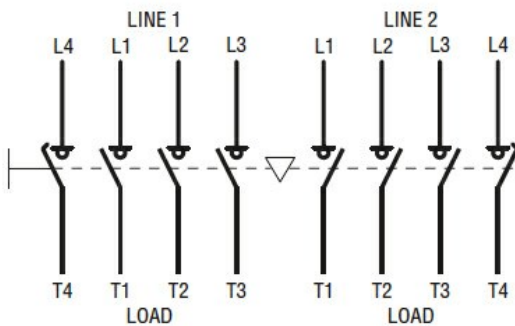
Pollution degree

3

Dimensions



Wiring diagrams



Certifications and compliance

Compliance

IEC/EN 60947-1
IEC/EN 60947-3
UL98 e CSA C22.2 n°4

Certifications

cCSAus
EAC

ETIM classification

ETIM 8.0

EC000216 -
Switch
disconnector