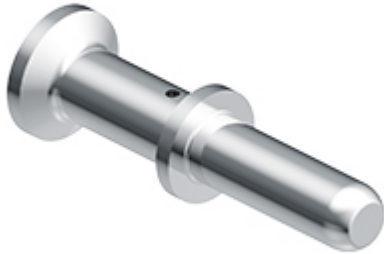


Part number

CX7MA 25



Male crimp contact, CX7 series, 70 A, turned silver plated, wire cross section 25 mm², AWG 4 - 3

| Product description | | Material properties | |
|---|-----------------------|----------------------------------|--|
| Product type | Crimp contact | Main material | Copper alloy |
| Series | CX7 | | Compliant with exemption 6(c): copper alloy containing up to 4% lead by weight |
| Gender | Male | RoHs conformity | 6(c): copper alloy containing up to 4% lead by weight |
| Technical data | | China RoHs - EFUP | 50 |
| Current | 70 A | REACH SVHC substances | Yes |
| Wire cross-section | 25,00 mm ² | | Lead |
| AWG size | 4 - 3 | SCIP number | C0979fba-9907-458f-a94a-db781440f273 |
| Contact type | Turned silver plated | Approvals / Standards | |
| Further technical details | | Certifications | CSA, EAC |
| Mating cycles | ≥ 500 | UL | ECBT2 |
| Contact resistance | ≤ 0,5 mΩ | cUL | ECBT8 |
| Weight | 10,80 g | General ordering information | |
| Operating temperature range (min, max) | -40°C ... +125°C | EAN13 code | 8015747182485 |
| Conductors stripping length | 15 mm | eCl@ss 8.1 | 27440204 |
| | | ETIM 7.0 | EC000796 |
| | | Packaging Information | |
| | | Sub-packaging length | 50,00 mm |
| | | Sub-packaging height | 44,00 mm |
| | | Sub-packaging width | 50,00 mm |
| | | Sub-packaging weight | 0,17 kg |
| | | Sub-packaging volume | 0,11 dm ³ |
| | | Sub-packaging description | Plastic box |
| | | Sub-packaging quantity | 16 Pcs |
| | | Sub-packaging EAN barcode | 8015747182546 |

Part number

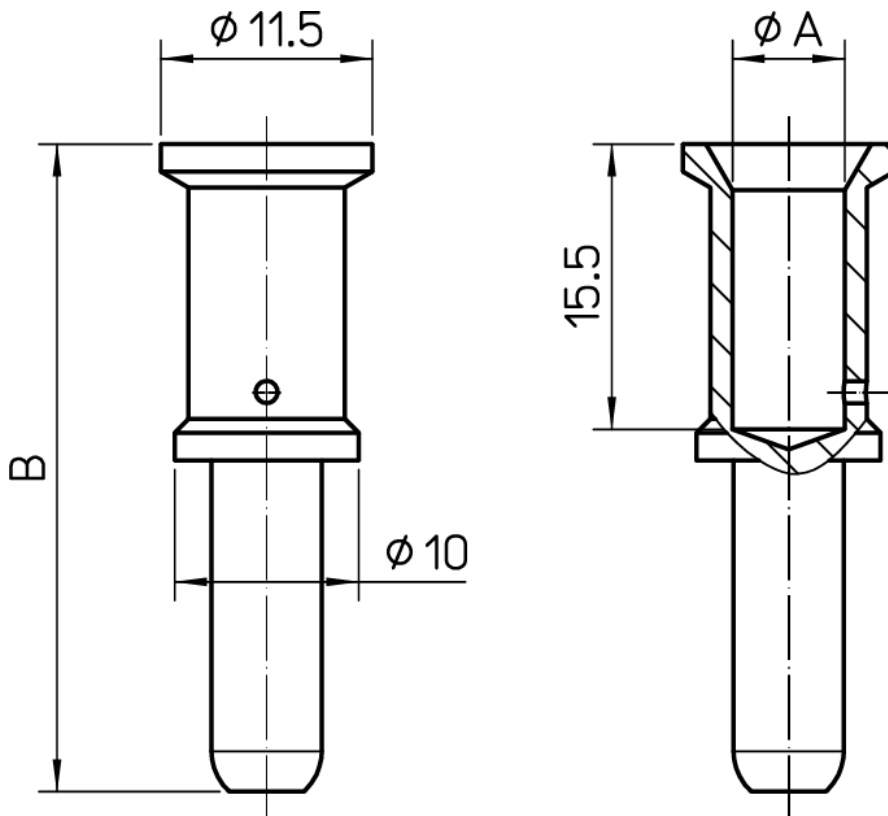
CX7MA 25



Catalogue drawings

| PART NUMBERS SILVER PLATED | øA mm | B mm | WIRE GAUGE | | STRIPPING LENGTH mm |
|-------------------------------|----------|---------|-----------------|-----|---------------------------|
| | | | mm ² | AWG | |
| CX7MA 6.0 | 3,5 | 36 | 6 | 10 | 15 |
| CX7MA 10 | 4,3 | 35,2 | 10 | 7 | |
| CX7MA 16 | 5,5 | 35,2 | 16 | 5 | |
| CX7MA 16 XF | 6,1 | 35,2 | 16 | 3 | |
| CX7MA 25 | 7,0 | 35,2 | 25 | 3 | |

Catalogue drawings



Notes

Dimensions shown in mm are not binding and may be changed without notice.

California Proposition 65 Information



WARNING

This product can expose you to lead and its compounds, known to the State of California to cause cancer and/or reproductive toxicity. For more information go to www.P65Warnings.ca.gov.

With CXC inserts, nominal current is up to 80 A, according to the current derating diagram.
