



Rotary cam switches  
GN200

Product designation

Product type designation

**General characteristics**

Switching diagram

N° of elements

Mounting form

92 - ON/OFF  
switch 4 poles  
2  
O - Rear  
mounting with  
black handle

**Contact characteristics**

Rated insulation voltage  $U_i$

IEC/EN	V	690
UL/CSA	V	600

Rated impulse withstand voltage  $U_{imp}$

kV	8
----	---

Conventional free air thermal current  $I_{th}$

IEC/EN	A	200
UL/CSA	A	200

Rated operational voltage

V	690
---	-----

Rated operational impulse voltage

kV	6
----	---

Maximum fuse size for short-circuit protection  $I_n$  (gG)

10kA	A	200
15kA	A	200

Rated short time current  $I_{cw}$

1s	A	3300
----	---	------

Operational current  $I_e$  IEC/EN

AC1/AC21A

A	200
---	-----

Rated operational power in AC

Three-phase AC-3

220/230V	kW	27.5
380/440V	kW	47

Rated operational current in DC

DC21A

48V	A	200
60V	A	200
110V	A	35
220V	A	2.5
440V	A	0.9

Power dissipation

W	26
---	----

**Mechanical features**

Terminals screw

M10

Tightening torque for terminals max

Nm	10
----	----

Conductor size

AWG - Rigid cable

Max	AWG	1X3
-----	-----	-----

AWG - Flexible cable	Max	AWG	0
Conductor size (IEC) - Flexible cable	Max	mm <sup>2</sup>	1X95
Conductor size (IEC) - Rigid cable	Max	mm <sup>2</sup>	1X95
Mechanical life		cycles	2X10 <sup>5</sup>

**UL technical data**

Motor power for direct-on-line control for three-phase motor	120V	HP	30
	240V	HP	50
	480V	HP	100
	600V	HP	75
for single-phase motor	120V	HP	15
	240V	HP	30

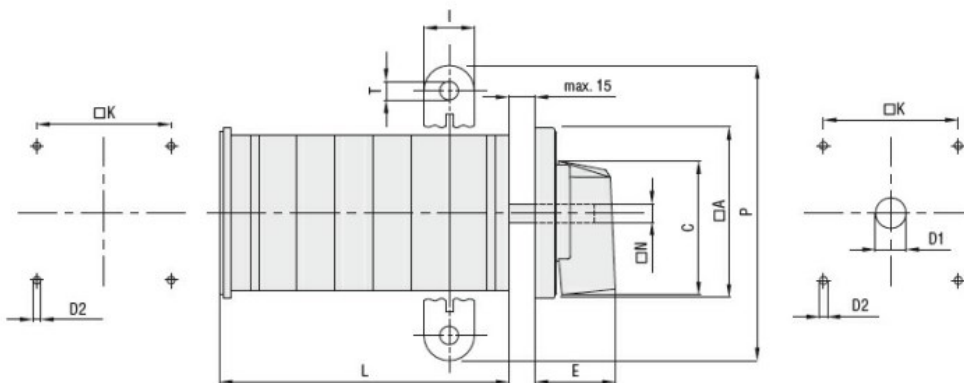
**Ambient conditions**

Temperature	Operating temperature		
	min	°C	-25
	max	°C	+55
	Storage temperature		
	min	°C	-40
	max	°C	+70

**Resistance & Protection**

Frontal IP degree	IP40
Terminals IP degree	IP00

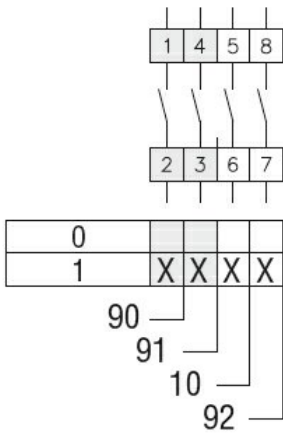
**Dimensions**



Series	Dimensions									L Number of elements ①											
	A	C	ØD2	E	I	K	N	P	ØT	1	2	3	4	5	6	7	8	9	10	11	12
GN200	132	104	5.3	56	20	104	10	140	10.5	77	107	136	166	196	226	284	314	343	373	402	432
GN315	132	104	5.3	56	20	104	10	145	10.5	77	107	136	166	196	226	284	314	343	373	402	432

① For devices with 6 or more elements please contact please consult Technical support, see contact details on inside front cover.

**Wiring diagrams**



### Certifications and compliance

#### Compliance

IEC/EN/BS 60947-1  
IEC/EN/BS 60947-3  
IEC/EN/BS 60947-5-1  
UL60947-4-1

#### Certificates

UR

### ETIM classification

ETIM 8.0

EC001029 -  
Selector switch,  
complete