



Residual current circuit breakers (RCCB) with overcurrent protection
P1RE
1P+N
2
IEC

Product designation

Product type designation

Number of poles

Number of DIN modules

Compliance

Electrical features

| | | |
|-------------------------------------------|--------|-------|
| Rated insulation voltage U_i IEC/EN | V | 400 |
| Rated impulse withstand voltage U_{imp} | kV | 4 |
| Rated operational voltage AC (IEC) | VAC | 230 |
| Rated frequency | Hz | 50/60 |
| Rated current (I_n) | A | 10 |
| Tripping curve | | C |
| Residual operation characteristic | | AC |
| Rated residual current | mA | 300 |
| Short circuit rating (IEC) | kA | 10 |
| Electrical life | cycles | 10000 |

Ambient conditions

Operating temperature

| | | |
|-----|----|-----|
| min | °C | -25 |
| max | °C | +60 |

Storage temperature

| | | |
|-----|----|-----|
| min | °C | -40 |
| max | °C | +80 |

Max altitude

m 2000

Mechanical features

Operating position

normal Vertical plan

Fixing

35mm DIN rail

Tightening torque for terminals

| | | |
|-----|------|----|
| max | Nm | 2 |
| max | Ibin | 15 |

Terminals tool

Pz 2

Conductor section

IEC

| | | |
|-----|-----------------|----|
| min | mm ² | 1 |
| max | mm ² | 16 |

AWG/Kcmil

| | | |
|-----|--|----|
| min | | 16 |
| max | | 3 |

Mechanical life

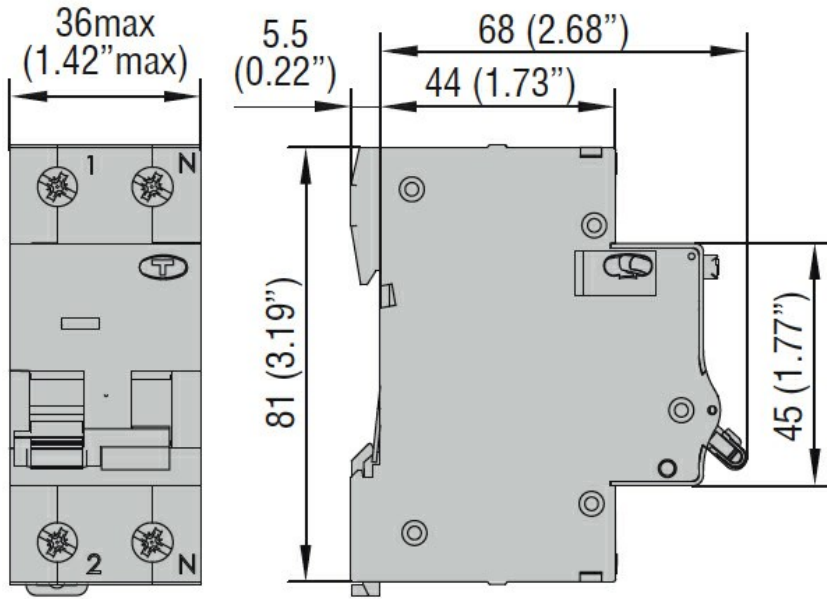
cycles 20000

Weight

g 205

| | |
|-------------------|------|
| Frontal IP degree | IP20 |
| Pollution degree | 2 |

Dimensions



Certifications and compliance

| | |
|------------|-------------------|
| Compliance | IEC/EN/BS 61009-1 |
|------------|-------------------|

| | |
|----------------|----------------|
| Certifications | EAC TÜV-SUD |
|----------------|----------------|

ETIM classification

| | |
|----------|------------------------------------------------|
| ETIM 8.0 | EC000905 - Earth leakage circuit breaker |
|----------|------------------------------------------------|