

RL-51P étanche

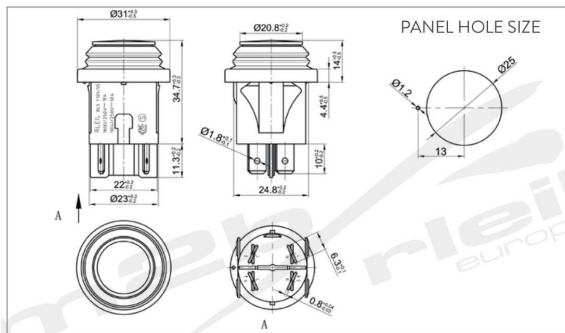
Bouton-poussoir pour découpe diam. 25 mm

Commutation



NEW

RL-51P-21/N-163(laser)-BK/BK-P1(WT-Led220V)



RU RU

16 (6)A 250VAC T125/55 1E4
 10 (4)A 250VAC T125/55 5E4
 3/4HP 250VAC
 1/2HP 125V
 16A 125 VAC T105

RL-51P

RL-51	21/N	0	RE/BK	P1	(2)
Function	Cap Printing	Cap colour / Housing	Terminals	Voltage	
00	Indicator lamp 2T	0 None	WT White		1 110VAC
11	ON - OFF 2T	562	BK Black		2 220VAC
11/N	ON-OFF w/lamp 3T	566	RE Red		3 12VDC
11(ON)	(ON) - OFF 2T	567	OR Orange		4 24VDC
11+ILV	ON-OFF 2T + Ind. lamp 2T NEW	X Custom	GR Green		
21	ON - OFF 4T		BL Blue		
21/N	ON - OFF - 4T w/lamp		GE Grey		
21(ON)	(ON) - OFF 4T				
21(ON)N	(ON) - OFF 4T w/lamp				



You can choose the led or neon color you prefer, and will see it illuminated by through a customized laser serigraphy.