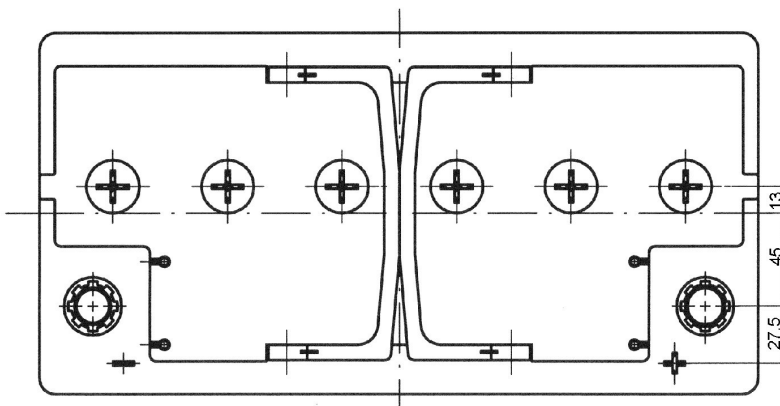
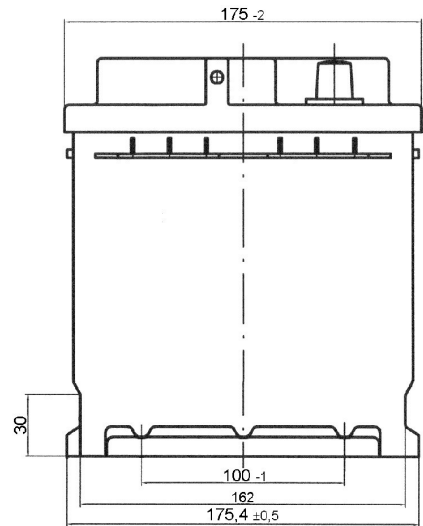
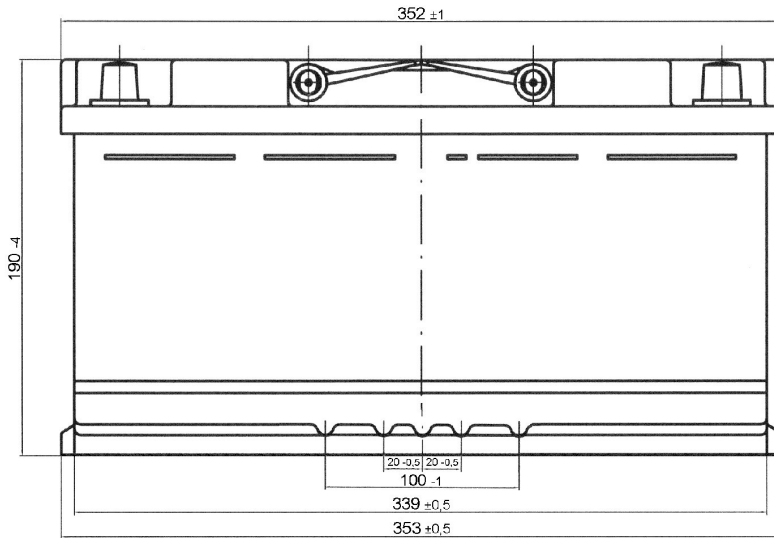


Central Article Code: L05080R40-A

ETN Code or Other:

Created: 08/09/2005

Modified: 10/09/2009



PERFORMANCES		CONTAINER	
Voltage (V):	12 V	Type:	L05 WHITE
C20 (Ah):	90.0 20 h	Hold Down:	B13
Rc (min):	0	H. D. Adapter:	No
Cranking (A):	800 EN	COVER	
Vibration:	V3 (35Hz/6g/20h)	Type:	Kamina with handle WHITE
Endurance:	300 cycles@75%	Polarity:	ETN 0
Charge:	WET	Terminals:	EN taper post
Technology:	Semi-Traction	Terminal Adapter:	No
Grid :	4% Sb	SOCI:	No
WEIGHT AND STD. DIMENSIONS		Ventilation:	Central
Battery Weight (kg):	26.50	Filter:	No
Volume acid (l):	5.42	Lateral Plug:	No
Length (mm):	353	PLUGS	
Width (mm):	175	Type:	6 x M18K WHITE
Height (mm):	190	HANDLES	
		Type:	2 x Integrated BLACK
		OTHERS	
		Degassing Tube:	No