

Fiche produit

Article n° Z5.504.3221.0

Passage de câble pour vis PG29 MS 8 18,0-25,0



Article n°	Z5.504.3221.0
EAN	4049088386343
Unité de commande	10 Piece(s)

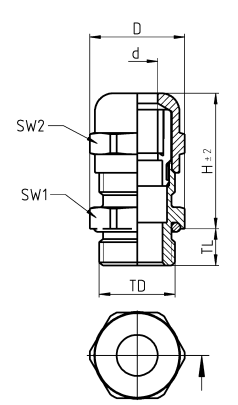
certificats/approbations

Données techniques

général

longueur du filetage	8 mm
diamètre Min. du câble	18 mm
diamètre Max. du câble	25 mm
Degré de protection (IP)	IP68
matériel	Laiton
Couleur	Autre
Résistant aux chocs	Oui
Protection du rayon de courbure / manchon d'arrondi	Aucun
Support de traversé avec serre-câble	Aucun
Type de scellement	anneau caoutchouc-/neoprene
presse étoupe détachable	Aucun
Zone multi-joint	Aucun
Type de filetage	Métrique
Sans halogène	Oui
classe d'inflammabilité des matériaux d'isolation selon la norme UL94	Autre

Dessin technique

<p>A</p> <p>B</p> <p>C</p> <p>D</p> <p>E</p> <p>F</p>		<table border="1"> <thead> <tr> <th>Wieland Teilenummer part number</th> <th>Gewinde Verschraubung thread type of fitting</th> <th>Gewinde Schraubkappe thread type of cap</th> <th>Klemmbereich clamping range Ø min-max mm</th> <th>Gewinde-Ø thread-Ø TD mm</th> <th>Gewindelänge thread length TL mm</th> <th>Höhe ohne Gewindelänge height without thread H mm</th> <th>Verschraubung fitting SW1 mm</th> <th>Schraubkappe cap SW2 mm</th> <th>Äußen-Ø outer-Ø D mm max.</th> <th>Innen-Ø inner-Ø D mm min.</th> </tr> </thead> <tbody> <tr><td>Z5.504.2021.0</td><td>PG7</td><td>PG 7</td><td>3,0-6,5</td><td>12,5</td><td>6,0</td><td>22,0</td><td>14,0</td><td>14,0</td><td>15,5</td><td>Ø10,0</td></tr> <tr><td>Z5.504.2121.0</td><td>PG7</td><td>PG 7</td><td>3,0-6,5</td><td>12,5</td><td>10,0</td><td>22,0</td><td>14,0</td><td>14,0</td><td>15,5</td><td>Ø10,0</td></tr> <tr><td>Z5.504.2221.0</td><td>PG9</td><td>PG 9</td><td>4,0-8,0</td><td>15,2</td><td>6,0</td><td>23,5</td><td>17,0</td><td>17,0</td><td>18,9</td><td>Ø8,3</td></tr> <tr><td>Z5.504.2321.0</td><td>PG9</td><td>PG 9</td><td>4,0-8,0</td><td>15,2</td><td>10,0</td><td>23,5</td><td>17,0</td><td>17,0</td><td>18,9</td><td>Ø8,3</td></tr> <tr><td>Z5.504.2421.0</td><td>PG11</td><td>PG 11</td><td>5,0-10,0</td><td>18,6</td><td>6,0</td><td>26,0</td><td>20,0</td><td>20,0</td><td>22,0</td><td>Ø10,4</td></tr> <tr><td>Z5.504.2521.0</td><td>PG11</td><td>PG 11</td><td>5,0-10,0</td><td>18,6</td><td>10,0</td><td>26,0</td><td>20,0</td><td>20,0</td><td>22,0</td><td>Ø10,4</td></tr> <tr><td>Z5.504.2621.0</td><td>PG13,5</td><td>PG 13,5</td><td>6,0-12,0</td><td>20,4</td><td>6,5</td><td>24,5</td><td>22,0</td><td>22,0</td><td>24,5</td><td>Ø12,4</td></tr> <tr><td>Z5.504.2721.0</td><td>PG13,5</td><td>PG13,5</td><td>6,0-12,0</td><td>20,4</td><td>10,0</td><td>24,5</td><td>22,0</td><td>22,0</td><td>24,5</td><td>Ø12,4</td></tr> <tr><td>Z5.504.2821.0</td><td>PG16</td><td>PG 16</td><td>10,0-14,0</td><td>22,5</td><td>6,5</td><td>28,0</td><td>24,0</td><td>24,0</td><td>26,5</td><td>Ø14,4</td></tr> <tr><td>Z5.504.2921.0</td><td>PG16</td><td>PG 16</td><td>10,0-14,0</td><td>22,5</td><td>10,0</td><td>28,0</td><td>24,0</td><td>24,0</td><td>26,5</td><td>Ø14,4</td></tr> <tr><td>Z5.504.3021.0</td><td>PG21</td><td>PG 21</td><td>13,0-18,0</td><td>28,3</td><td>7,2</td><td>32,5</td><td>30,0</td><td>30,0</td><td>33,0</td><td>Ø18,4</td></tr> <tr><td>Z5.504.3121.0</td><td>PG21</td><td>PG 21</td><td>13,0-18,0</td><td>28,3</td><td>12,0</td><td>32,5</td><td>30,0</td><td>30,0</td><td>33,0</td><td>Ø18,4</td></tr> <tr><td>Z5.504.3221.0</td><td>PG29</td><td>PG 29</td><td>18,0-25,0</td><td>37,0</td><td>8,0</td><td>38,5</td><td>40,0</td><td>40,0</td><td>44,5</td><td>Ø25,5</td></tr> <tr><td>Z5.504.3321.0</td><td>PG29</td><td>PG 29</td><td>18,0-25,0</td><td>37,0</td><td>12,0</td><td>38,5</td><td>40,0</td><td>40,0</td><td>44,5</td><td>Ø25,5</td></tr> <tr><td>Z5.504.3421.0</td><td>PG36</td><td>PG 36</td><td>22,0-32,0</td><td>47,0</td><td>9,0</td><td>48,0</td><td>50,0</td><td>50,0</td><td>55,5</td><td>Ø32,5</td></tr> <tr><td>Z5.504.3521.0</td><td>PG36</td><td>PG 36</td><td>22,0-32,0</td><td>47,0</td><td>14,0</td><td>48,0</td><td>50,0</td><td>50,0</td><td>55,5</td><td>Ø32,5</td></tr> </tbody> </table>	Wieland Teilenummer part number	Gewinde Verschraubung thread type of fitting	Gewinde Schraubkappe thread type of cap	Klemmbereich clamping range Ø min-max mm	Gewinde-Ø thread-Ø TD mm	Gewindelänge thread length TL mm	Höhe ohne Gewindelänge height without thread H mm	Verschraubung fitting SW1 mm	Schraubkappe cap SW2 mm	Äußen-Ø outer-Ø D mm max.	Innen-Ø inner-Ø D mm min.	Z5.504.2021.0	PG7	PG 7	3,0-6,5	12,5	6,0	22,0	14,0	14,0	15,5	Ø10,0	Z5.504.2121.0	PG7	PG 7	3,0-6,5	12,5	10,0	22,0	14,0	14,0	15,5	Ø10,0	Z5.504.2221.0	PG9	PG 9	4,0-8,0	15,2	6,0	23,5	17,0	17,0	18,9	Ø8,3	Z5.504.2321.0	PG9	PG 9	4,0-8,0	15,2	10,0	23,5	17,0	17,0	18,9	Ø8,3	Z5.504.2421.0	PG11	PG 11	5,0-10,0	18,6	6,0	26,0	20,0	20,0	22,0	Ø10,4	Z5.504.2521.0	PG11	PG 11	5,0-10,0	18,6	10,0	26,0	20,0	20,0	22,0	Ø10,4	Z5.504.2621.0	PG13,5	PG 13,5	6,0-12,0	20,4	6,5	24,5	22,0	22,0	24,5	Ø12,4	Z5.504.2721.0	PG13,5	PG13,5	6,0-12,0	20,4	10,0	24,5	22,0	22,0	24,5	Ø12,4	Z5.504.2821.0	PG16	PG 16	10,0-14,0	22,5	6,5	28,0	24,0	24,0	26,5	Ø14,4	Z5.504.2921.0	PG16	PG 16	10,0-14,0	22,5	10,0	28,0	24,0	24,0	26,5	Ø14,4	Z5.504.3021.0	PG21	PG 21	13,0-18,0	28,3	7,2	32,5	30,0	30,0	33,0	Ø18,4	Z5.504.3121.0	PG21	PG 21	13,0-18,0	28,3	12,0	32,5	30,0	30,0	33,0	Ø18,4	Z5.504.3221.0	PG29	PG 29	18,0-25,0	37,0	8,0	38,5	40,0	40,0	44,5	Ø25,5	Z5.504.3321.0	PG29	PG 29	18,0-25,0	37,0	12,0	38,5	40,0	40,0	44,5	Ø25,5	Z5.504.3421.0	PG36	PG 36	22,0-32,0	47,0	9,0	48,0	50,0	50,0	55,5	Ø32,5	Z5.504.3521.0	PG36	PG 36	22,0-32,0	47,0	14,0	48,0	50,0	50,0	55,5	Ø32,5	<p>6</p>
Wieland Teilenummer part number	Gewinde Verschraubung thread type of fitting	Gewinde Schraubkappe thread type of cap	Klemmbereich clamping range Ø min-max mm	Gewinde-Ø thread-Ø TD mm	Gewindelänge thread length TL mm	Höhe ohne Gewindelänge height without thread H mm	Verschraubung fitting SW1 mm	Schraubkappe cap SW2 mm	Äußen-Ø outer-Ø D mm max.	Innen-Ø inner-Ø D mm min.																																																																																																																																																																																				
Z5.504.2021.0	PG7	PG 7	3,0-6,5	12,5	6,0	22,0	14,0	14,0	15,5	Ø10,0																																																																																																																																																																																				
Z5.504.2121.0	PG7	PG 7	3,0-6,5	12,5	10,0	22,0	14,0	14,0	15,5	Ø10,0																																																																																																																																																																																				
Z5.504.2221.0	PG9	PG 9	4,0-8,0	15,2	6,0	23,5	17,0	17,0	18,9	Ø8,3																																																																																																																																																																																				
Z5.504.2321.0	PG9	PG 9	4,0-8,0	15,2	10,0	23,5	17,0	17,0	18,9	Ø8,3																																																																																																																																																																																				
Z5.504.2421.0	PG11	PG 11	5,0-10,0	18,6	6,0	26,0	20,0	20,0	22,0	Ø10,4																																																																																																																																																																																				
Z5.504.2521.0	PG11	PG 11	5,0-10,0	18,6	10,0	26,0	20,0	20,0	22,0	Ø10,4																																																																																																																																																																																				
Z5.504.2621.0	PG13,5	PG 13,5	6,0-12,0	20,4	6,5	24,5	22,0	22,0	24,5	Ø12,4																																																																																																																																																																																				
Z5.504.2721.0	PG13,5	PG13,5	6,0-12,0	20,4	10,0	24,5	22,0	22,0	24,5	Ø12,4																																																																																																																																																																																				
Z5.504.2821.0	PG16	PG 16	10,0-14,0	22,5	6,5	28,0	24,0	24,0	26,5	Ø14,4																																																																																																																																																																																				
Z5.504.2921.0	PG16	PG 16	10,0-14,0	22,5	10,0	28,0	24,0	24,0	26,5	Ø14,4																																																																																																																																																																																				
Z5.504.3021.0	PG21	PG 21	13,0-18,0	28,3	7,2	32,5	30,0	30,0	33,0	Ø18,4																																																																																																																																																																																				
Z5.504.3121.0	PG21	PG 21	13,0-18,0	28,3	12,0	32,5	30,0	30,0	33,0	Ø18,4																																																																																																																																																																																				
Z5.504.3221.0	PG29	PG 29	18,0-25,0	37,0	8,0	38,5	40,0	40,0	44,5	Ø25,5																																																																																																																																																																																				
Z5.504.3321.0	PG29	PG 29	18,0-25,0	37,0	12,0	38,5	40,0	40,0	44,5	Ø25,5																																																																																																																																																																																				
Z5.504.3421.0	PG36	PG 36	22,0-32,0	47,0	9,0	48,0	50,0	50,0	55,5	Ø32,5																																																																																																																																																																																				
Z5.504.3521.0	PG36	PG 36	22,0-32,0	47,0	14,0	48,0	50,0	50,0	55,5	Ø32,5																																																																																																																																																																																				
<table border="1"> <tr><td>nach/according to</td><td>DIN EN 62444 / VDE 0619</td></tr> <tr><td>Gewinde gemäß/thread according to</td><td>DIN 40430</td></tr> <tr><td>Material Verschraubung/material fitting</td><td>Messing/brass PA 6 UL94-V2</td></tr> <tr><td>Material Verschraubungsdichtung/material seal of fitting</td><td>CR</td></tr> <tr><td>Material O-Ring/material O-ring</td><td>NBR</td></tr> <tr><td>Schutzklasse nach/protection class according to</td><td>DIN EN 60529 IP 66-68</td></tr> </table>		nach/according to	DIN EN 62444 / VDE 0619	Gewinde gemäß/thread according to	DIN 40430	Material Verschraubung/material fitting	Messing/brass PA 6 UL94-V2	Material Verschraubungsdichtung/material seal of fitting	CR	Material O-Ring/material O-ring	NBR	Schutzklasse nach/protection class according to	DIN EN 60529 IP 66-68	<p>frei von lackbenetzungsstörenden Substanzen (Silikonfrei)/ free from substances that prevent paint adhesion (silicon free)</p> <p>Weitere Daten siehe KATALOG oder eKATALOG additional data see CATALOG or eCATALOG</p> <p>www.wieland-electric.com eshop.wieland-electric.com</p>																																																																																																																																																																																
nach/according to	DIN EN 62444 / VDE 0619																																																																																																																																																																																													
Gewinde gemäß/thread according to	DIN 40430																																																																																																																																																																																													
Material Verschraubung/material fitting	Messing/brass PA 6 UL94-V2																																																																																																																																																																																													
Material Verschraubungsdichtung/material seal of fitting	CR																																																																																																																																																																																													
Material O-Ring/material O-ring	NBR																																																																																																																																																																																													
Schutzklasse nach/protection class according to	DIN EN 60529 IP 66-68																																																																																																																																																																																													
<p>Toleranzsystem Size ISO 14005 © / Tolerance system Size ISO 14005 ©</p> <p>(This ISO-standard describes the envelope principle. According to the envelope principle the deviations of form and position are limited by the size tolerances)</p> <p>Freitoleranz nach General tolerance</p> <p>ISO - Zeichnung, keine manuellen Änderungen ISO - drawing, no manual modifications allowed</p> <p>Blatt: 1 von 1 Sheet: 1 of 1</p> <p>Werkstoff / Material</p> <p>2.1</p> <p>Maße in mm / Dimensions are in mm</p> <p>Wieland www.wieland-electric.com</p>		<p>Stoffverbot- und Deklarationsliste nach WH 5000 010 ist anzuhalten (Conformity with Wieland document WH 5000 010 e list of prohibited / decribable hazardous substances) to be declared</p> <p>Tag/Date</p> <p>Name</p> <p>Schritt</p> <p>Verwendung / first use</p> <p>Zeichnung Nr. / Drawing No.</p> <p>T Z5.504.2021.0 13K</p> <p>Index</p> <p>KABELVERSCHRAUBUNG</p> <p>PG, Metal PG, metal</p>																																																																																																																																																																																												