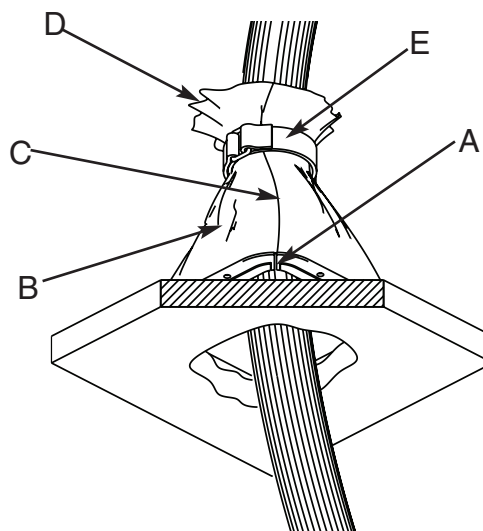


INSTALLATION INSTRUCTIONS for Surface Mount Grommet (Retrofit Installations) RFGSM-INST

© 2008 PANDUIT Corp.

Parts List:

- Outer ring (A) and fabric* (B) grommet, with hook and loop seal along the edges (C and D)
- Hook and loop cinch tie (E)
- Self-tapping screws (not shown)



1. Check package with parts list (above) to ensure that all parts of the *COOL BOOT* Raised Floor Air Sealing Grommet are present.

2. Use chart to confirm that selected grommet is an appropriate fit for the existing raised floor tile cutout space.**

| Part Number | Maximum Hole Cutout |
|-------------|---------------------|
| RFG6X8SMY | 4.5" x 6.5" |
| RFG8X8SMY | 6.5" x 6.5" |
| RFG10X8SMY | 8.5" x 6.5" |
| RFG12X8SMY | 10.5" x 6.5" |
| RFG12X4SMY | 10.5" x 2.5" |
| RFG3DSMY | 3" Diameter |
| RFG5DSMY | 5" Diameter |

3. Open fabric (B) along vertical split (C) and flex the outer ring (A) to position the grommet around cable bundle(s).
Note: Do not flex outer ring more than necessary to accommodate the cable bundle.



INSTALLATION INSTRUCTIONS for Surface Mount Grommet (Retrofit Installations) RFGSM-INST

4. Close outer ring (A) and fabric (B) grommet utilizing the hook and loop seal (C) along the edges, and place grommet over the tile cutout space.



5. Secure outer ring (A) to raised floor using the self-tapping screws that are provided. This ensures a pathway to ground to prevent buildup of electrostatic charge.

Note: A 3/32" pilot hole is recommended for concrete filled panels.



6. Seal around cable bundle(s):

- For one bundle, use hook and loop cinch tie (E) to gather fabric (B) around cables.
- For two or more bundles, use hook and loop (D) along top of grommet to seal around cables.



Notes:

*Fabric material is fire-retardant but not plenum rated, and therefore should be positioned above-floor for maximum performance.

**Installers must comply with appropriate safety procedures when working in a raised floor environment. Use of personal protective equipment such as safety glasses, face shields, respirator, hand protection, and safety footwear are recommended. Installers must comply with raised floor manufacturer's specifications when cutting or otherwise modifying raised floor products. Specifications include raised floor strength de-rating and/or additional underfloor supports required due to cutout spaces in floor tiles.

For Instructions in Local Languages
and Technical Support:

http://www.panduit.com/resources/install_maintain.asp



E-mail:
cs@panduit.com

Fax:
(708) 532-1811