



Product designation	Roller side push lever		
Product type designation	KND		
<b>General characteristics</b>			
Material	Housing	Aluminium-zinc alloy	
	Roller	Metal	
<b>Contact characteristics</b>			
Type of contact	2NO Snap action		
Thermal current I <sub>th</sub>	A	10	
IEC/EN 60947-5-1 designation	A300 Q300		
Rated insulation voltage U <sub>i</sub>	V	440	
Rated impulse withstand voltage U <sub>imp</sub>	kV	4	
Short-circuit protection with fuse	Class/A	10 gG/SC QUICK FUSE	
Switching speed	min	m/s	0.5
	max	m/s	1.5
IEC Conventional free air thermal current I <sub>th</sub>	A	10	
Resistance per pole (average value)	mΩ	<10	
<b>Mechanical features</b>			
Operating head fixing	Locking bayonet insert		
Operating torque	N	6	
	lb	1.34	
Tightening torque (Max)			
Switch fixing	Nm	2.5	
	lbin	22.1	
Contact terminals	Nm	0.8	
	lbin	7	
Body lid screw fixing	Nm	0.8	
	lbin	7	
Conductor section			
AWG/Kcmil	min	16	
	max	14	
IEC	min	mm <sup>2</sup>	1 or 2
	max	mm <sup>2</sup>	2.5
Cable connection	Self-releasing screw terminal		

Cable entry M20 on the sides

**Operations**

Mechanical life cycles <10000000  
Mechanical operation cycles/h 3600

**Ambient conditions**

Temperature

Operating temperature

min °C -25  
max °C +70

Storage temperature

min °C -40  
max °C +70

**Resistance & Protection**

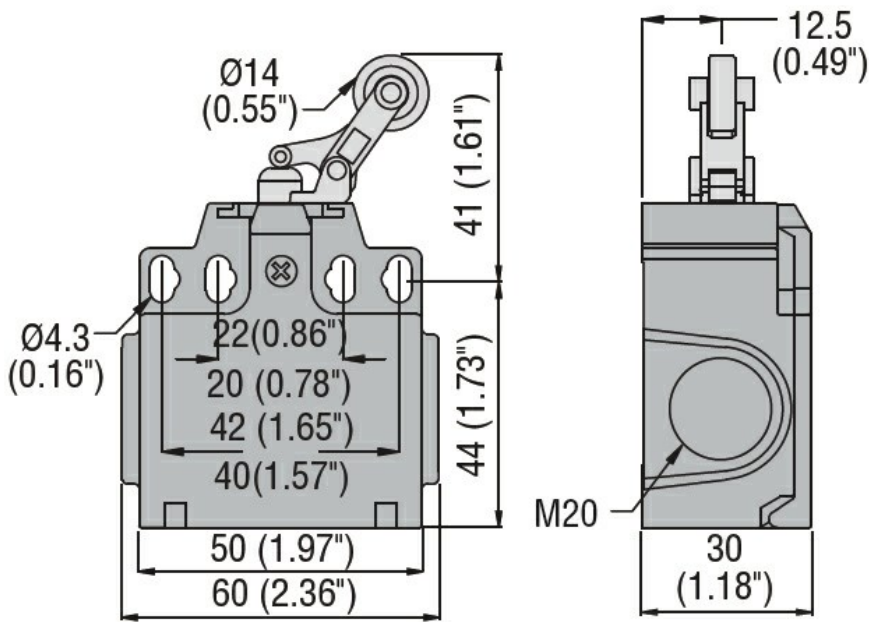
IP degree

Terminals IP20  
Body housing IP65

Pollution degree

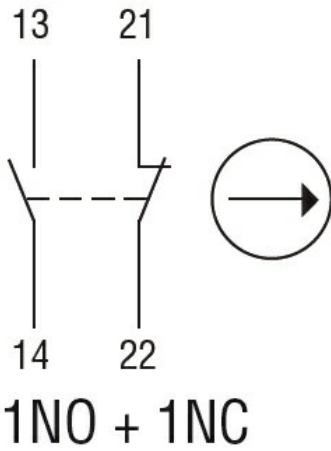
3

**Dimensions**



**Wiring diagrams**

## Snap action



1NO + 1NC

### Certifications and compliance

#### Compliance

CSA C22.2 n° 14

EN 50047

IEC/EN 60204-1

IEC/EN 60947-1

IEC/EN 60947-5-1

UL508

#### Certificates

CCC

cULus

EAC

### ETIM classification

ETIM 8.0

EC000030 - End  
switch