

Part number

MVP 24 LSP25



Surface mounting housing, V-TYPE series, with 1 lever, M25 cable entry, size "104.27", with SIMPLEX self-closing cover

Product description

Product type	Surface mounting housing
Series	V-TYPE
Closing type	With 1 lever
Size	Size 104.27
Cable entry	With cable entry M25
Specification	With SIMPLEX self-closing cover

Technical data

IP degree of protection IP65

Further technical details

Weight	436,00 g
Operating temperature range (min, max)	-40°C...+125°C

Material properties

Other materials	Lever: Stainless steel Gasket: NBR
Colour	RAL 7040 grey
RoHs conformity	Compliant
China RoHs - EFUP	E
REACH SVHC substances	No

Approvals / Standards

Certifications	DNV, BV
UL	ECBT2
cUL	ECBT8

General ordering information

EAN13 code	8015747229418
eCl@ss 8.1	27440202
ETIM 7.0	EC000437

Packaging Information

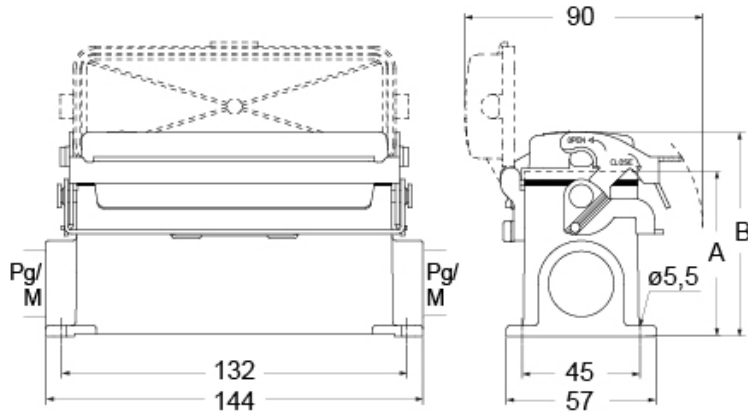
Packaging weight	4,37 kg
Packaging volume	17,10 dm ³
Packaging description	Carton box
Packaging quantity	10 Pcs
Packaging EAN code	8015747229548
Sub-packaging weight	2,19 kg
Sub-packaging description	Plastic packaging
Sub-packaging quantity	5 Pcs
Sub-packaging EAN barcode	8015747229555

Part number

MVP 24 LSP25



Catalogue drawings



part No.	A	B
CVP / MVP 24 LSP	63	78
CVAP / MVAP 24 LSP	81	96

Notes

Dimensions shown in mm are not binding and may be changed without notice.