

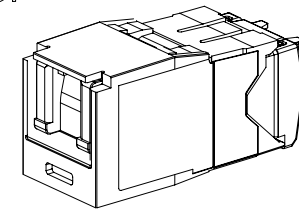
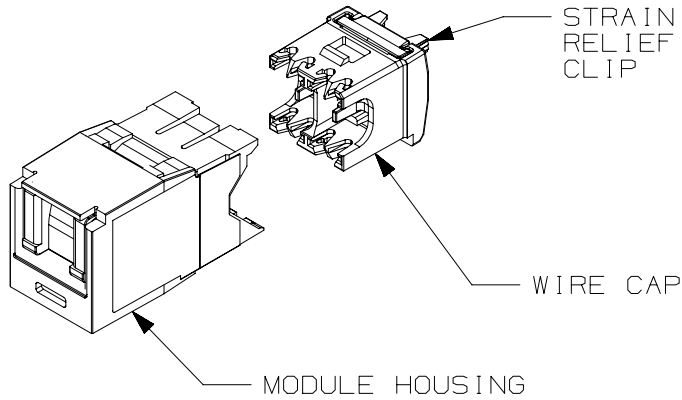
THIS COPY IS PROVIDED ON A RESTRICTED BASIS AND IS NOT TO BE USED IN ANY WAY DETRIMENTAL TO THE INTERESTS OF PANDUIT CORP.

PANDUIT PART#	DESCRIPTION	WEIGHT*
CJH6X88TG**	8 POSITION, 8 WIRE UNIVERSAL MODULE. BLUE WIRE CAP IS COLOR CODED FOR T568A AND T568B WIRING SCHEMES.	1.504 LB/100 PCS (682g/100 PCS)

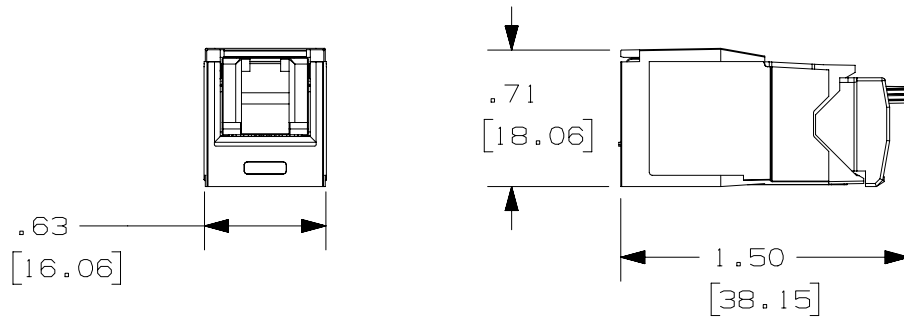
*WEIGHT IS APPROXIMATE
**JACK COLOR SUFFIX

NOTES:

1. BLUE WIRE CAP DESIGNATES AUGMENTED CATEGORY 6A PERFORMANCE.
2. SEE CURRENT CATALOG FOR AVAILABLE PART NUMBER SUFFIXES TO INDICATE COLOR AND OR PACKAGE QUANTITY.
3. MATERIAL:
MODULE HOUSING - ABS
WIRE CAP - PC
STRAIN RELIEF CLIP - PC
4. ALL CATEGORY 6A, 8 POSITION, 8 WIRE CONNECTOR MODULES ARE UNIVERSAL IN DESIGN. THEY ACCEPT SIX AND EIGHT POSITION MODULAR PLUGS WITHOUT DAMAGE.
5. DIMENSIONS IN [] ARE IN METRIC.
6. SPRING SHUTTERED DOOR OPENS AND CLOSES AUTOMATICALLY WITH PLUG INSERTION AND REMOVAL.
7. SHUTTERED DOOR PREVENTS THE ACCUMULATION OF DUST PER IP-40 PROTECTION RATING STANDARDS.



ACTUAL SIZE



PART NUMBER		CJH6X88TG**	
TITLE			
MINI-COM CAT6A UTP SPRING SHUTTERED JACK		MODULE	
CUSTOMER DRAWING			
ITEM REVISION NAME		14M542AC/00	
DATASET FILE NAME		14M542AC_DC02/00A	
UNLESS OTHERWISE SPECIFIED, DIMENSIONAL TOLERANCES ARE: IN (mm)		MATERIAL:	
.X ± .XX ±		.XXX ± ANGLES ±	
SEE NOTES		DRAWING NUMBER:	
THIRD ANGLE PROJECTION		14M542AC-02	
DRAWN BY	DATE	CHK	SCALE
BJN	5-27-15	ROJC	FULL
REV	DATE	BY	CHK
APR			
DESCRIPTION		ECN	
RELEASED TO PRODUCTION		14M542AC-02	
SHT 1 OF 1		A	

REV	DATE	BY	CHK	APR	DESCRIPTION	ECN
R	5-27-15	BJN	ROJC	FMS	RELEASED TO PRODUCTION	14M542AC-02

D10100DA/14