

1SNA295427R1400 ✓ ACTIVE

ENTRELEC

TE Internal #: 1SNA295427R1400

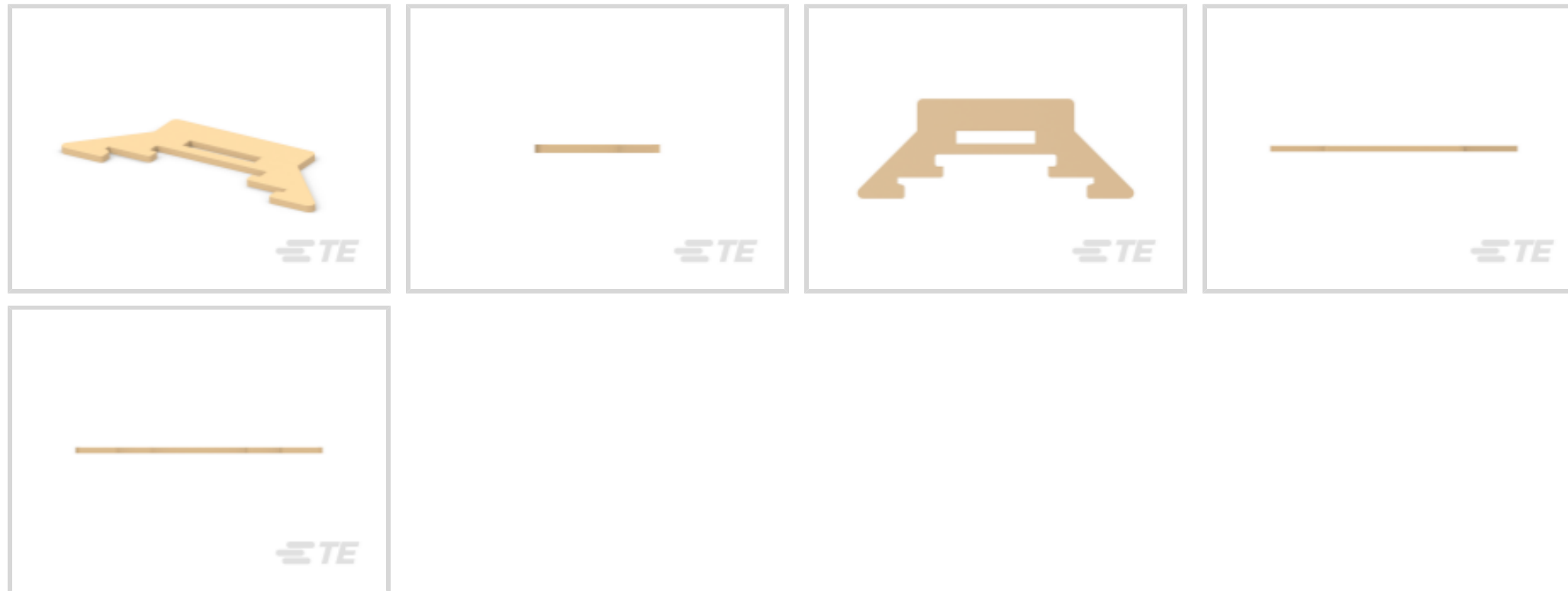
Terminal Block & Strip Mounting & Retention Accessories, Length .

708 in [18 mm], -67 – 230 °F [-55 – 110 °C]

[View on TE.com >](#)



Connectors > Terminal Blocks & Strips > Terminal Block & Strip Accessories > Terminal Block & Strip Mounting & Retention Accessories



Product Length: 18 mm [.708 in]

Operating Temperature Range: -55 – 110 °C [-67 – 230 °F]

## Features

### Body Features

Plastic & Resin Material Type	Polyamide
Product Weight	2 g[.07 oz]
Primary Product Color	Beige

### Mechanical Attachment

DIN Rail Mounting Type	TH15-5.5, TH35-7.5, Type 2
------------------------	----------------------------

### Dimensions

Product Spacing	1.2 mm[.047 in]
Product Depth	18 mm[.708 in]
Product Width	18 mm[.708 in]
Product Height	50 mm[1.968 in]
Product Length	18 mm[.708 in]

### Usage Conditions

Storage Temperature Range	-55 – 110 °C[-67 – 230 °F]
Operating Temperature Range	-55 – 110 °C[-67 – 230 °F]

### Operation/Application

For Use with Block or Strip Style	Screw Clamp Terminal Blocks
-----------------------------------	-----------------------------



## Product Compliance





[For compliance documentation, visit the product page on TE.com>](#)

EU RoHS Directive 2011/65/EU	Compliant
EU ELV Directive 2000/53/EC	Compliant
China RoHS 2 Directive MIIT Order No 32, 2016	No Restricted Materials Above Threshold
EU REACH Regulation (EC) No. 1907/2006	Current ECHA Candidate List: JUNE 2022 (224) Candidate List Declared Against: JUNE 2022 (224) Does not contain REACH SVHC
Halogen Content	Low Halogen - Br, Cl, F, I < 900 ppm per homogenous material. Also BFR/CFR/PVC Free
Solder Process Capability	Not reviewed for solder process capability

### Product Compliance Disclaimer

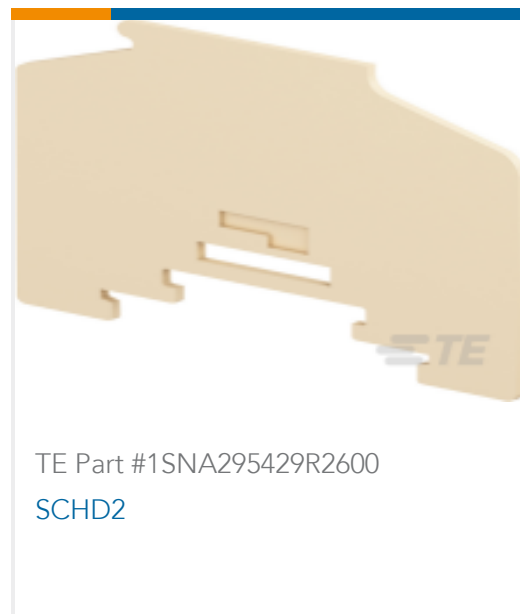
This information is provided based on reasonable inquiry of our suppliers and represents our current actual knowledge based on the information they provided. This information is subject to change. The part numbers that TE has identified as EU RoHS compliant have a maximum concentration of 0.1% by weight in homogenous materials for lead, hexavalent chromium, mercury, PBB, PBDE, DBP, BBP, DEHP, DIBP, and 0.01% for cadmium, or qualify for an exemption to these limits as defined in the Annexes of Directive 2011/65/EU (RoHS2). Finished electrical and electronic equipment products will be CE marked as required by Directive 2011/65/EU. Components may not be CE marked. Additionally, the part numbers that TE has identified as EU ELV compliant have a maximum concentration of 0.1% by weight in homogenous materials for lead, hexavalent chromium, and mercury, and 0.01% for cadmium, or qualify for an exemption to these limits as defined in the Annexes of Directive 2000/53/EC (ELV). Regarding the REACH Regulation, the information TE provides on SVHC in articles for this part number is based on the latest European Chemicals Agency (ECHA) 'Guidance on requirements for substances in articles' posted at this URL: <https://echa.europa.eu/guidance-documents/guidance-on-reach>

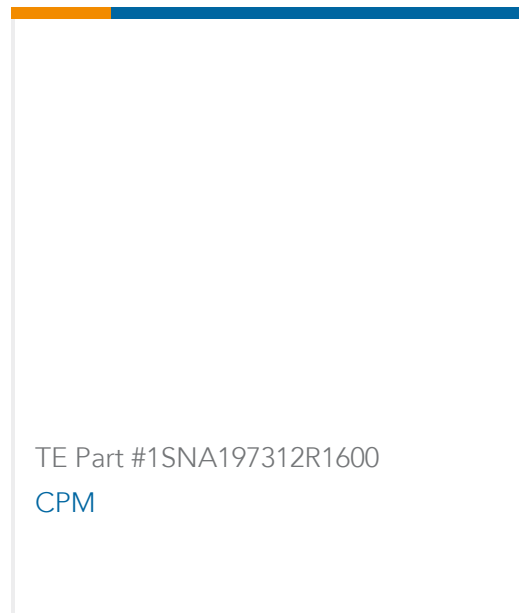
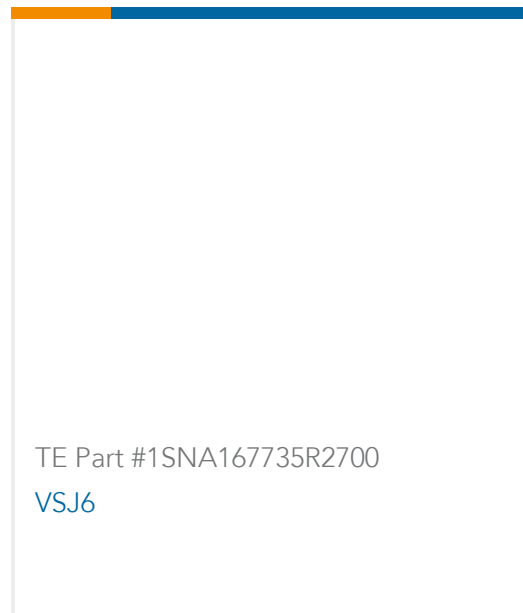
## Compatible Parts

 <p>TE Part # 1SNA295011R1600 HD10/12.F5.3</p>	 <p>TE Part # 1SNA295298R0300 HD4/10.F4.19</p>	 <p>TE Part # 1SNA295391R2000 HD4/9.F4</p>	 <p>TE Part # 1SNA295392R2100 HD4/9.F4.2</p>
---	--	---	---



### Customers Also Bought





## Documents

### CAD Files

[3D PDF](#)

[3D](#)

**Customer View Model**

[ENG\\_CVM\\_CVM\\_1SNA295427R1400\\_A.2d\\_dxf.zip](#)

English

**Customer View Model**

[ENG\\_CVM\\_CVM\\_1SNA295427R1400\\_A.3d\\_igs.zip](#)

English

**Customer View Model**

[ENG\\_CVM\\_CVM\\_1SNA295427R1400\\_A.3d\\_stp.zip](#)

English

By downloading the CAD file I accept and agree to the [Terms and Conditions](#) of use.

### Datasheets & Catalog Pages

[INH1 IVOIRE](#)

English

[ENTRELEC Terminal Block - Master Catalog](#)

English