

Part number

# CX 04 SCF



Female modular insert, Mixo Data series, fibre optic, 4 poles, 1 module, with ceramic sleeve

## Product description

<b>Product type</b>	Modular insert
<b>Series</b>	Mixo Data
<b>Connection type</b>	Fibre optic
<b>Gender</b>	Female
<b>N. of poles</b>	4 seats for fibre optic SC contacts
<b>Size</b>	1 module
<b>Specification</b>	With ceramic sleeve SC fibre optic connector

## Technical data

<b>IP degree of protection</b>	IP20 without enclosure, IP65/IP66/IP68/IP69 with enclosure
--------------------------------	--

## Further technical details

<b>Mating cycles</b>	≥ 500
<b>Insulation resistance</b>	≥ 10 GΩ
<b>Weight</b>	8,50 g
<b>Operating temperature range (min, max)</b>	-40°C ... +85°C
<b>UL 94 flammability rating</b>	V-0

## Material properties

<b>Main material</b>	Polycarbonate (PC)
<b>Colour</b>	RAL 7032 grey
<b>RoHs conformity</b>	Compliant
<b>China RoHs - EFUP</b>	E
<b>REACH SVHC substances</b>	No

## Approvals / Standards

<b>Certifications</b>	DNV, BV
<b>UL</b>	ECBT2
<b>cUL</b>	ECBT8

## General ordering information

<b>EAN13 code</b>	8015747190169
<b>eCl@ss 8.1</b>	27440205
<b>ETIM 7.0</b>	EC000438

## Packaging Information

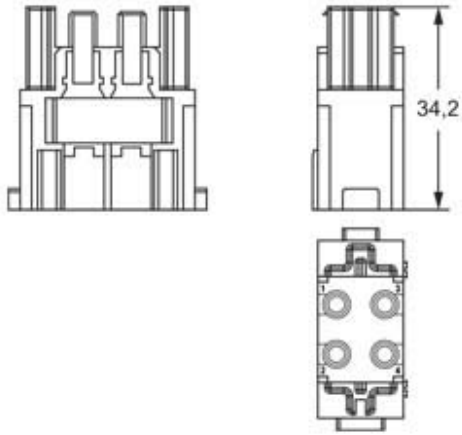
<b>Sub-packaging description</b>	Plastic bag
<b>Sub-packaging quantity</b>	1 Pcs
<b>Sub-packaging EAN barcode</b>	8015747190831

Part number

# CX 04 SCF



## Catalogue drawings



---

## Notes

Standard modular inserts:

-in combination with standard contacts and standard frames (CX ... TF/TM); must be mounted either in traditional enclosures or in COB panel supports (both up to 500 matings).

---

Dimensions shown in mm are not binding and may be changed without notice.

---