



A3M60B-BDPB013x13

A3M60

ABSOLUTE ENCODERS

SICK
Sensor Intelligence.



Illustration may differ



Ordering information

| Type | Part no. |
|-------------------|----------|
| A3M60B-BDPB013x13 | 1038824 |

Other models and accessories → www.sick.com/A3M60

Detailed technical data

Performance

| | |
|---|---|
| Number of steps per revolution (max. resolution) | 8,192 (13 bit) |
| Number of revolutions | 8,192 (13 bit) |
| Max. resolution (number of steps per revolution x number of revolutions) | 13 bit x 13 bit (8,192 x 8,192) |
| Error limits G | 0.5° (at room temperature) ¹⁾ |
| Repeatability standard deviation σ_r | 0.25° (at room temperature) ²⁾ |

¹⁾ In accordance with DIN ISO 1319-1, position of the upper and lower error limit depends on the installation situation, specified value refers to a symmetrical position, i.e. deviation in upper and lower direction is the same.

²⁾ In accordance with DIN ISO 55350-13; 68.3% of the measured values are inside the specified area.

Interfaces

| | |
|---|---|
| Communication interface | PROFIBUS DP |
| Communication Interface detail | DPV0 |
| Data transmission rate (baud rate) | ≤ 12 MBaud |
| Initialization time | Approx. 1 s |
| Parameterising data | Number of steps per revolution Number of revolutions PRESET Counting direction |
| Bus termination | DIP switch |

Electrical data

| | |
|--|--|
| Connection type | Male connector, Female connector, 2x, 1x, M12, M12, 5-pin, 5-pin, axial, axial |
| Supply voltage | 10 ... 32 V |
| Power consumption | ≤ 1.5 W |
| Reverse polarity protection | ✓ |
| MTTFd: mean time to dangerous failure | 60 years (EN ISO 13849-1) ¹⁾ |

¹⁾ This product is a standard product and does not constitute a safety component as defined in the Machinery Directive. Calculation based on nominal load of components, average ambient temperature 40 °C, frequency of use 8760 h/a. All electronic failures are considered hazardous. For more information, see document no. 8015532.

Mechanical data

| | |
|-------------------------------------|---|
| Mechanical design | Blind hollow shaft |
| Shaft diameter | 10 mm |
| Weight | 0.28 kg |
| Shaft material | Stainless steel |
| Flange material | Aluminum |
| Housing material | Aluminum |
| Start up torque | 1 Ncm (+20 °C) |
| Operating torque | 0.8 Ncm (+20 °C) |
| Permissible movement static | ± 0.3 mm (radial) ± 0.5 mm (axial) |
| Permissible movement dynamic | ± 0.1 mm (radial) ± 0.2 mm (axial) |
| Operating speed | ≤ 9,000 min ⁻¹ ¹⁾ |
| Bearing lifetime | 3.0 x 10 ⁹ revolutions |
| Angular acceleration | ≤ 500,000 rad/s ² |

¹⁾ Self warming 45 K at maximum operating speed.

Ambient data

| | |
|--------------------------------------|--|
| EMC | According to EN 61000-6-2 and EN 61000-6-3 |
| Enclosure rating | IP65, shaft side (IEC 60529) IP67, housing side (IEC 60529) ¹⁾ |
| Permissible relative humidity | 95 % (Condensation not permitted) |
| Operating temperature range | -10 °C ... +70 °C |
| Storage temperature range | -40 °C ... +100 °C |
| Resistance to shocks | 80 g, 6 ms (EN 60068-2-27) |
| Resistance to vibration | 30 g, 10 Hz ... 2,000 Hz (EN 60068-2-6) |

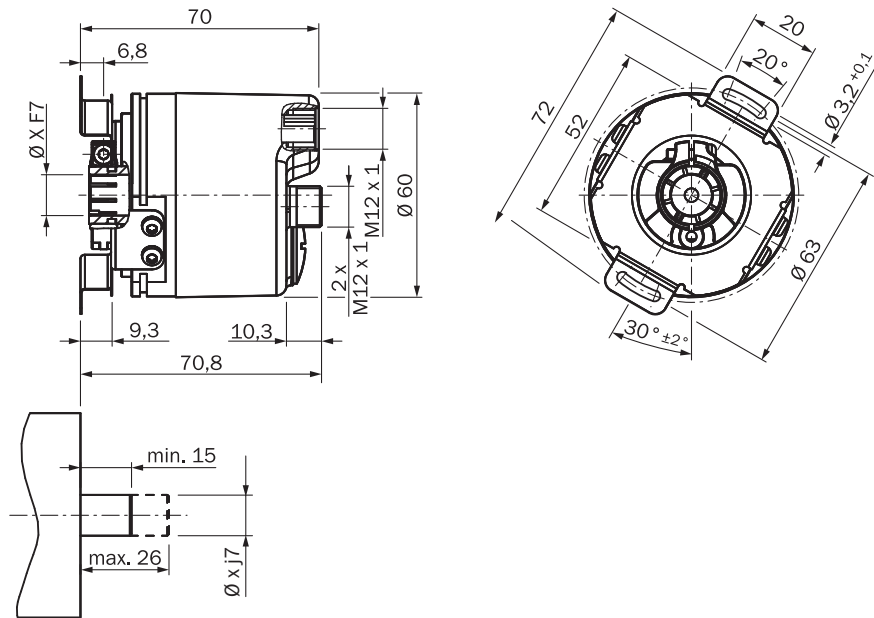
¹⁾ With mating connector fitted.

Classifications

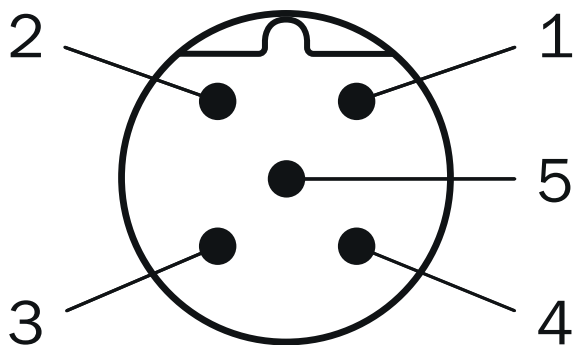
| | |
|---------------------|----------|
| ECLASS 5.0 | 27270502 |
| ECLASS 5.1.4 | 27270502 |
| ECLASS 6.0 | 27270590 |
| ECLASS 6.2 | 27270590 |
| ECLASS 7.0 | 27270502 |
| ECLASS 8.0 | 27270502 |
| ECLASS 8.1 | 27270502 |
| ECLASS 9.0 | 27270502 |
| ECLASS 10.0 | 27270502 |
| ECLASS 11.0 | 27270502 |
| ECLASS 12.0 | 27270502 |
| ETIM 5.0 | EC001486 |
| ETIM 6.0 | EC001486 |
| ETIM 7.0 | EC001486 |

| | |
|-----------------------|----------|
| ETIM 8.0 | EC001486 |
| UNSPSC 16.0901 | 41112113 |

Dimensional drawing (Dimensions in mm (inch))

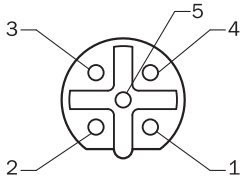


PIN assignment

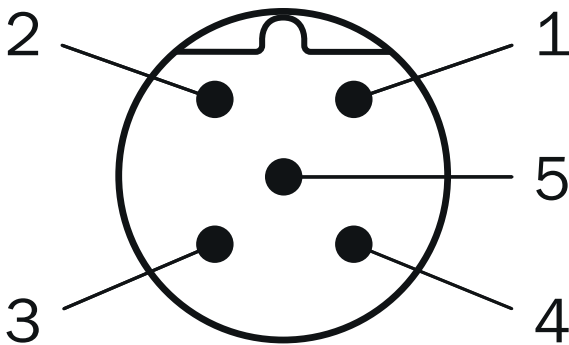


| PIN | PROFIBUS IN | PROFIBUS OUT | Supply voltage |
|-----|-----------------------|------------------------|-------------------|
| 1 | Not assigned | +5 V 2P5 1) | Operating voltage |
| 2 | PROFIBUS Data A | PROFIBUS Data A | Not assigned |
| 3 | Not assigned | 0 V (2M) ¹⁾ | Ground (0 V) |
| 4 | PROFIBUS | PROFIBUS | Not assigned |

| PIN | PROFIBUS IN | PROFIBUS OUT | Supply voltage |
|--------------------------------------|-------------|--------------|----------------|
| | Data B | Data B | |
| 5 | Screen | Screen | Not assigned |
| 1) External connection to the bus | | | |



| PIN | PROFIBUS IN | PROFIBUS OUT | Supply voltage |
|--------------------------------------|-----------------------|------------------------|-------------------|
| 1 | Not assigned | +5 V 2P5 1) | Operating voltage |
| 2 | PROFIBUS Data A | PROFIBUS Data A | Not assigned |
| 3 | Not assigned | 0 V (2M) ¹⁾ | Ground (0 V) |
| 4 | PROFIBUS Data B | PROFIBUS Data B | Not assigned |
| 5 | Screen | Screen | Not assigned |
| 1) External connection to the bus | | | |




| PIN | PROFIBUS IN | PROFIBUS OUT | Supply voltage |
|-----|-----------------------|------------------------|-------------------|
| 1 | Not assigned | +5 V 2P5 1) | Operating voltage |
| 2 | PROFIBUS Data A | PROFIBUS Data A | Not assigned |
| 3 | Not assigned | 0 V (2M) ¹⁾ | Ground (0 V) |
| 4 | PROFIBUS Data B | PROFIBUS Data B | Not assigned |

| PIN | PROFIBUS IN | PROFIBUS OUT | Supply voltage |
|--------------------------------------|-------------|--------------|----------------|
| 5 | Screen | Screen | Not assigned |
| 1) External connection to the bus | | | |

Recommended accessories

Other models and accessories → www.sick.com/A3M60

| | Brief description | Type | Part no. |
|---|--|--------------------|----------|
| Plug connectors and cables | | | |
|  | Head A: Flying leads Head B: Flying leads Cable: PROFIBUS DP, PUR, shielded | LTG-2102-MW | 6021355 |
|  | Head A: female connector, M12, 5-pin, angled, A-coded Head B: Flying leads Cable: Sensor/actuator cable, PUR, halogen-free, unshielded, 5 m Voltage supply | DOL-1202-W05MC | 6042067 |
| | Head A: female connector, M12, 5-pin, angled, A-coded Head B: Flying leads Cable: Sensor/actuator cable, PUR, halogen-free, unshielded, 10 m Voltage supply | DOL-1202-W10MC | 6042068 |
|  | Head A: female connector, M12, 5-pin, straight, A-coded Head B: Flying leads Cable: Sensor/actuator cable, PUR, halogen-free, shielded, 5 m | YF2A25-050UB6XLEAX | 2095733 |
| | Head A: female connector, M12, 5-pin, straight, A-coded Head B: Flying leads Cable: Sensor/actuator cable, PUR, halogen-free, shielded, 10 m | YF2A25-100UB6XLEAX | 2095734 |
| | Head A: female connector, M12, 5-pin, straight, A-coded Head B: Flying leads Cable: Sensor/actuator cable, PUR, halogen-free, shielded, 20 m | YF2A25-200UB6XLEAX | 2095738 |
|  | Head A: female connector, M12, 2-pin, straight, B-coded Head B: Flying leads Cable: Fieldbus, PROFIBUS DP, PUR, halogen-free, shielded, 5 m | YF2B22-050PB1XLEAX | 2121936 |
| | Head A: female connector, M12, 2-pin, straight, B-coded Head B: Flying leads Cable: Fieldbus, PROFIBUS DP, PUR, halogen-free, shielded, 10 m | YF2B22-100PB1XLEAX | 2106269 |
| | Head A: female connector, M12, 2-pin, straight, B-coded Head B: Flying leads Cable: Fieldbus, PROFIBUS DP, PUR, halogen-free, shielded, 15 m | YF2B22-150PB1XLEAX | 2106272 |
| | Head A: female connector, M12, 2-pin, straight, B-coded Head B: Flying leads Cable: Fieldbus, PROFIBUS DP, PUR, halogen-free, shielded, 20 m | YF2B22-200PB1XLEAX | 2106273 |
| | Head A: female connector, M12, 2-pin, angled, B-coded Head B: Flying leads Cable: Fieldbus, PROFIBUS DP, PUR, halogen-free, shielded, 5 m | YG2B22-050PB1XLEAX | 2106274 |
|  | Head A: female connector, M12, 2-pin, angled, B-coded Head B: Flying leads Cable: Fieldbus, PROFIBUS DP, PUR, halogen-free, shielded, 10 m | YG2B22-100PB1XLEAX | 2106275 |

| | Brief description | Type | Part no. |
|---|---|--------------------|----------|
|  | Head A: male connector, M12, 2-pin, straight, B-coded Head B: Flying leads Cable: Fieldbus, PROFIBUS DP, PUR, halogen-free, shielded, 5 m | YM2B22-050PB1XLEAX | 2106270 |
| | Head A: male connector, M12, 2-pin, straight, B-coded Head B: Flying leads Cable: Fieldbus, PROFIBUS DP, PUR, halogen-free, shielded, 10 m | YM2B22-100PB1XLEAX | 2106271 |
| | Head A: male connector, M12, 2-pin, straight, B-coded Head B: Flying leads Cable: Fieldbus, PROFIBUS DP, PUR, halogen-free, shielded, 15 m | YM2B22-150PB1XLEAX | 2106276 |
|  | Head A: male connector, M12, 2-pin, angled, B-coded Head B: Flying leads Cable: Fieldbus, PROFIBUS DP, PUR, halogen-free, shielded, 5 m | YN2B22-050PB1XLEAX | 2106277 |
| | Head A: male connector, M12, 2-pin, angled, B-coded Head B: Flying leads Cable: Fieldbus, PROFIBUS DP, PUR, halogen-free, shielded, 10 m | YN2B22-100PB1XLEAX | 2106278 |
|  | Head A: female connector, M12, 5-pin, straight, B-coded Head B: male connector, M12, 5-pin, straight, B-coded Cable: PROFIBUS DP, twisted pair, PUR, halogen-free, shielded, 10 m Wire shield Al-Pt film, overall shield C-screen tin-plated | DSL-1205-G10MQ | 6032640 |
|  | Head A: female connector, M12, 5-pin, straight Cable: unshielded | DOS-1205-G | 6009719 |
|  | Head A: female connector, M12, 5-pin, straight, B-coded Cable: PROFIBUS DP, shielded | DOS-1205-GQ | 6021353 |
|  | Head A: female connector, M12, 5-pin, angled Cable: unshielded | DOS-1205-W | 6009720 |
|  | Head A: female connector, M12, 5-pin, angled, B-coded (B-inverse) Cable: PROFIBUS DP, PROFIBUS DP, shielded | DOS-1205-WQ | 6041429 |
|  | Head A: male connector, M12, 5-pin, straight, B-coded Cable: PROFIBUS DP, shielded | STE-1205-GQ | 6021354 |
|  | Head A: male connector, M12, 5-pin, angled, B-coded Cable: PROFIBUS DP, shielded | STE-1205-WQ | 6041428 |
| | Cable: unshielded, set of connectors | DOS-3XM12-W | 2058177 |
|  | Head A: male connector, M12, 4-pin, straight, B-coded Cable: PROFIBUS DP, terminal resistor | STE-END-Q | 6021156 |

SICK AT A GLANCE

SICK is one of the leading manufacturers of intelligent sensors and sensor solutions for industrial applications. A unique range of products and services creates the perfect basis for controlling processes securely and efficiently, protecting individuals from accidents and preventing damage to the environment.

We have extensive experience in a wide range of industries and understand their processes and requirements. With intelligent sensors, we can deliver exactly what our customers need. In application centers in Europe, Asia and North America, system solutions are tested and optimized in accordance with customer specifications. All this makes us a reliable supplier and development partner.

Comprehensive services complete our offering: SICK LifeTime Services provide support throughout the machine life cycle and ensure safety and productivity.

For us, that is “Sensor Intelligence.”

WORLDWIDE PRESENCE:

Contacts and other locations –www.sick.com