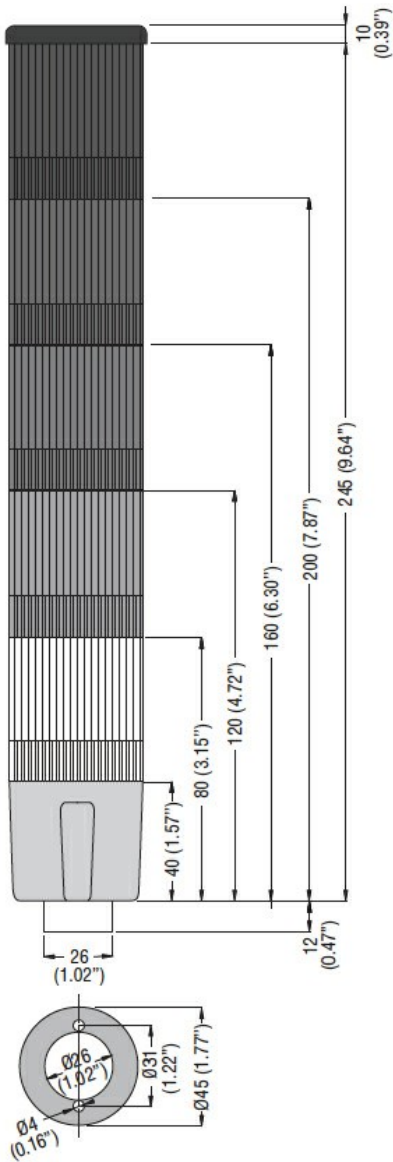
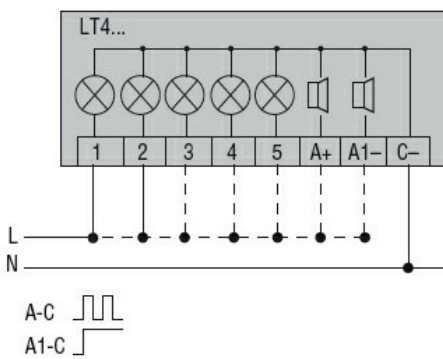




Product designation	Signal tower		
Product type designation	Ø45mm/1.7"		
	8TL4		
General characteristics			
Diameter	mm - inch	45 / 1.77	
Supply voltage (DC)	V	24±10%	
Colour	Green, blue, orange, red		
IEC degree of protection	IP54		
Light consumption per module (DC)	mA	37	
Sound module consumption (DC)	mA	15	
Sound intensity	dB	80	
Mechanical features			
Tightening torque for terminals max	Nm	0.5	
Terminals screw	Screw clamp terminals		
Conductor section			
	AWG/Kcmil	max	16
	IEC	max	mm ² 1.5
Weight		g	400
Ambient conditions			
Temperature	Operating temperature		
	min	°C	-20
	max	°C	+50
Dimensions			



Wiring diagrams



Certifications and compliance

Compliance

CSA C22.2 n° 14

IEC/EN 60947-1

IEC/EN 60947-5-1

UL508

Certificates

cULus

EAC

ETIM classification

ETIM 8.0

EC001042 -
Signal tower
complete