



Product designation Pilot light head
Product type designation LPL

General characteristics

Colour Blue
Type of positions Pilot light head
Material Polyamide
IEC degree of protection IP66, IP67 and IP69K

Mechanical features

Mounting adapter LPXAU120
Weight g 24

UL technical data

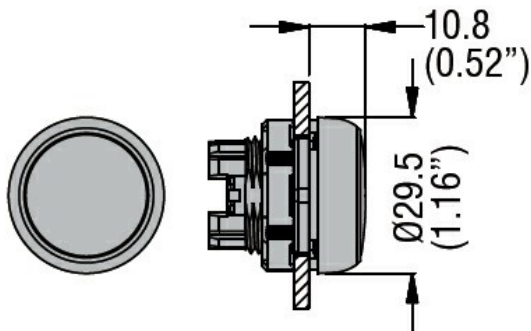
UL degree of protection Type1, 2, 3R, 4, 4X, 12, 12K

Ambient conditions

Temperature

Operating temperature		min	°C	-25
		max	°C	+70
Storage temperature		min	°C	-40
		max	°C	+85

Dimensions



Certifications and compliance

Compliance

CSA C22.2 n° 14
IEC/EN/BS 60947-1
IEC/EN/BS 60947-5-1
UL508

Certificates

CCC
cULus
EAC
RINA

ETIM classification

ETIM 8.0

EC002024 -
Accessories/spare
parts for
command
devices