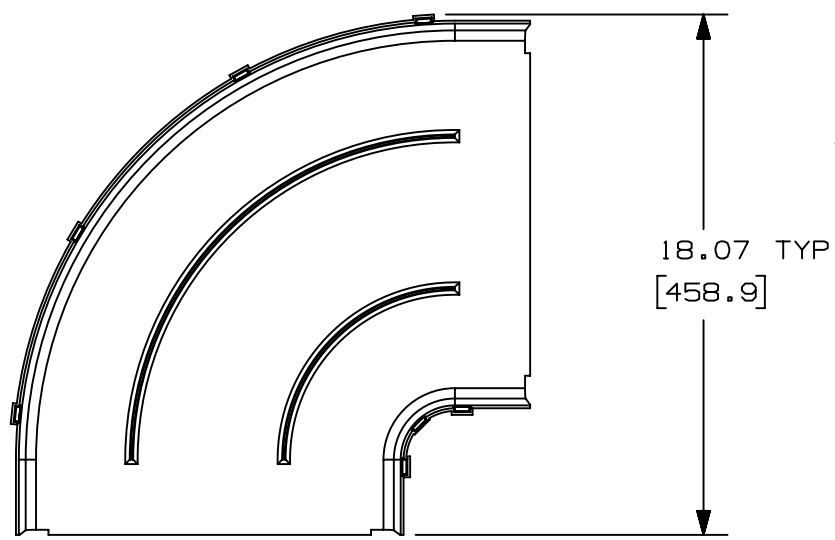


2

1

THIS COPY IS PROVIDED ON A RESTRICTED BASIS AND IS NOT TO BE USED IN ANY WAY DETRIMENTAL TO THE INTERESTS OF PANDUIT CORP.

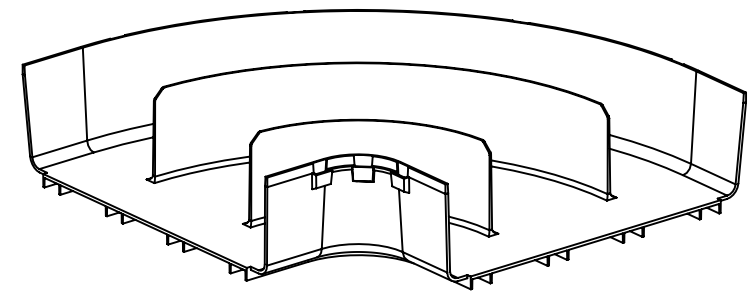
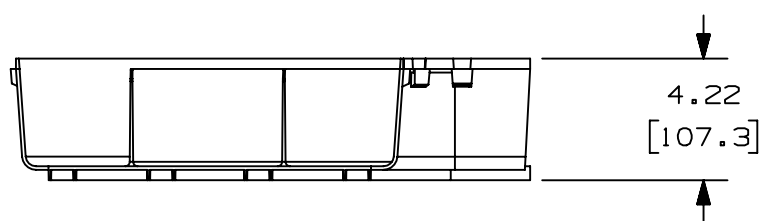


PANDUIT P/N	WEIGHT	MATERIAL
FRAA12X4**	2.8 LB/EACH 1270g/EACH	ABS
FRAA12X4L**	2.8 LB/EACH 1270g/EACH	PC/ABS



NOTES:

1. SEE CURRENT CATALOG FOR ADDITIONAL PART SUFFIXES TO INDICATE COLOR AND/OR PACKAGE QUANTITY.
2. THE FIBERRUNNER 12x4 HORIZONTAL RIGHT ANGLE FITTING IS DESIGNED WITH A MINIMUM 2" (50.8) BEND RADIUS TO PROTECT FIBER OPTIC CABLES.
3. DIMENSIONS IN PARENTHESIS ARE IN METRIC.



B

B

A

A

ANGLOBAL\_ASIZE

REV	DATE	BY	CHK	APR	DESCRIPTION	ECN
04A	1-16-20	MES	DWR	DWR	J. ADDED FRAA12X4L** PART NUMBER	V09002DZ/01

TITLE <b>FIBERRUNNER 12x4 HORIZONTAL RIGHT ANGLE FITTING (FRAA12X4**, FRAA12X4L**)</b>				CUSTOMER DRAWING	
ITEM REVISION NAME D37617BL/10				<b>PANDUIT</b>	
DATASET FILE NAME D37617BL_DC/04A					
UNLESS OTHERWISE SPECIFIED, DIMENSIONAL TOLERANCES ARE: IN (mm)				MATERIAL: <b>SEE PART NUMBER TABLE ABOVE</b>	
(.X) ± .03 (.8)		(.XXX) ± .03 (.8)		DRAWING NUMBER: 37617-62	
ANGLES ±		THIRD ANGLE PROJECTION		SHT 1 OF 1	
DRAWN BY JNHU	DATE 12-28-00	CHK HIW	SCALE NONE	SIZE A	

2

1