

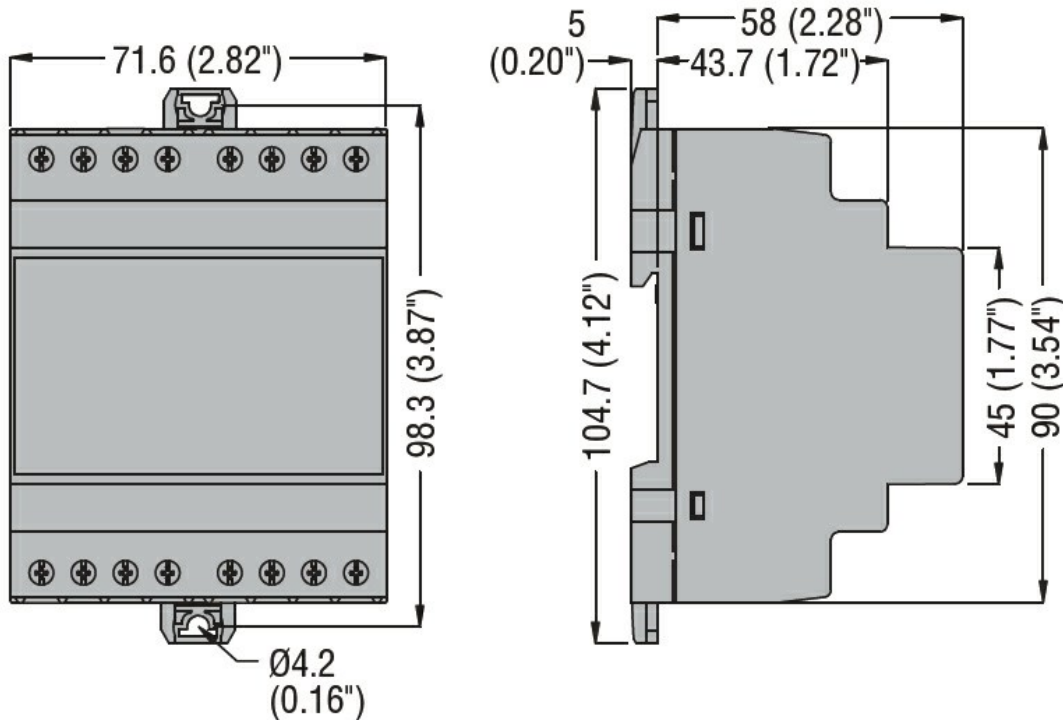


Three-phase energy meters
DMED300T2UL
Three-phase + neutral
4

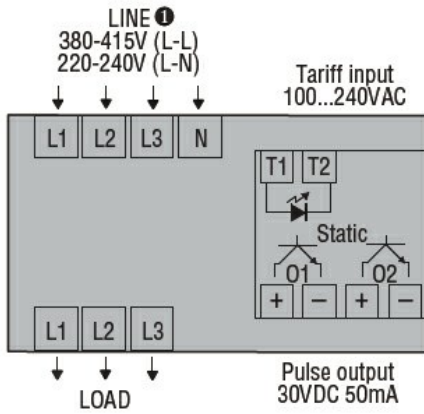
Product designation			
Product type designation			
Type			
DIN rail module number	4		
Auxiliary supply Us			
Operational frequency	max	Hz	60
Power consumption	Max	VA	20
Power dissipation Max		W	1.35
Measuring voltage inputs			
Rated voltage (Ue)	phase-phase	VAC	240
	phase-neutral	VAC	120
Operating voltage range	phase-phase	VAC	323...456
	phase-neutral	VAC	187...264
Connection method	Direct		
Current			
IEC maximum (Imax)		A	80
IEC minimum (Imin)		A	0.5
IEC rated (Iref-Ib)		A	10
IEC start (Ist)		mA	40
Transition (Itr)		A	1
Accuracy			
	Active energy	Class 1 (IEC/EN 62053-21)	
	Reactive energy	Class 2 (IEC/EN 62053-23)	
Output characteristics			
LED Pulse rate		pulse/kWh	1000
LED Pulse duration		ms	30
Static output pulse rate		pulse/kWh	1-10-100-1000 programmable
Static output pulse duration		ms	100 for 1-10-10 pulse; 60 for 1000 pulse
Static output external voltage		VDC	10...30
Static outputs Maximum current		mA	50
Insulations			
Rated insulation voltage Ui IEC/EN		V	250
Rated impulse withstand voltage Uimp		kV	6
Operating frequency withstand voltage		kV	4
Mechanical features			

Housing type	Polyamide		
Terminals type	Fixed		
Conductor cross section	min	mm ²	2.5
	Max	mm ²	25
	min	AWG	14
	Max	AWG	4
Tightening torque (Max)		Nm	2
		lbin	17.7
Fixing	Din rail		
Weight		g	360
Ambient conditions			
Temperature	Operating temperature		
	min	°C	-25
	max	°C	+55
	Storage temperature		
	min	°C	-25
	max	°C	+10
Relative humidity		%	<80
Maximum Pollution degree	2		

Dimensions



Wiring diagrams



Certifications and compliance

Compliance

IEC/EN 50470-1
IEC/EN 61010-1
IEC/EN 61010-2-030

Certificates

cULus
EAC
RCM

ETIM classification

ETIM 8.0

EC001506 -
Kilowatt-hour
meter