

Part number

M7AP 16 S32



Surface mounting housing, V-TYPE series, with 2 levers, M32 cable entry, size "77.27", high construction, with metal cover

Product description	
Product type	Surface mounting housing
Series	V-TYPE
Closing type	With 2 levers
Size	Size 77.27
Cable entry	With cable entry M32
Specification	High construction, with metal cover
Technical data	
IP degree of protection	IP66 / IP67 / IP69
Further technical details	
Weight	500,00 g
Operating temperature range (min, max)	-40°C...+125°C

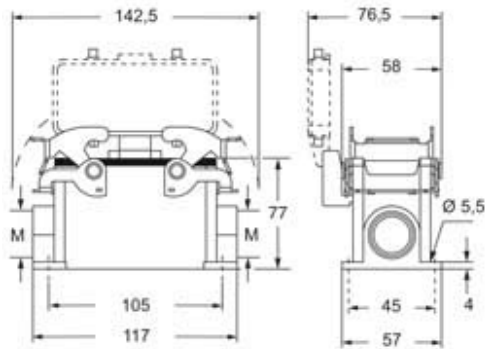
Material properties	
Other materials	Lever: Stainless steel Gasket: NBR
Colour	RAL 7040 grey
RoHs conformity	Compliant
China RoHs - EFUP	E
REACH SVHC substances	No
Approvals / Standards	
Certifications	DNV, BV
UL	ECBT2
cUL	ECBT8
General ordering information	
EAN13 code	8015747251419
eCl@ss 8.1	27440202
ETIM 7.0	EC000437
Packaging Information	
Packaging length	350,00 mm
Packaging height	160,00 mm
Packaging width	300,00 mm
Packaging weight	5,31 kg
Packaging volume	16,80 dm ³
Packaging description	Carton box
Packaging quantity	10 Pcs
Packaging EAN code	8015747251426
Sub-packaging weight	2,66 kg
Sub-packaging description	Plastic packaging
Sub-packaging quantity	5 Pcs
Sub-packaging EAN barcode	8015747251433

Part number

M7AP 16 S32



Catalogue drawings



Notes

Dimensions shown in mm are not binding and may be changed without notice.
