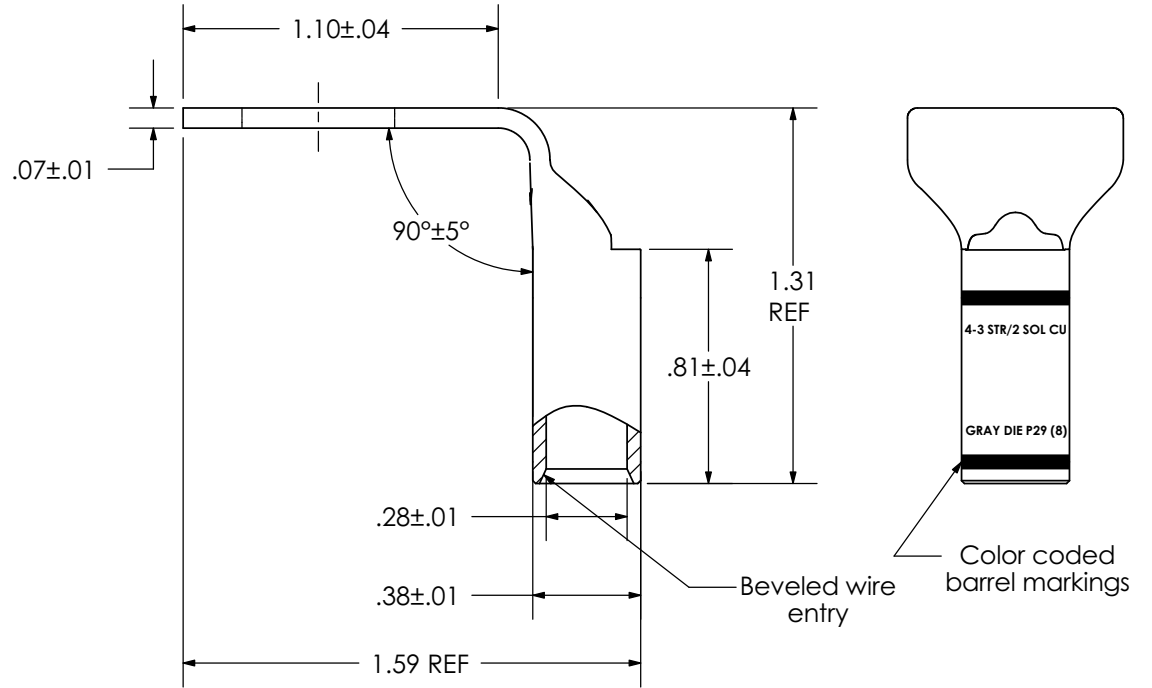
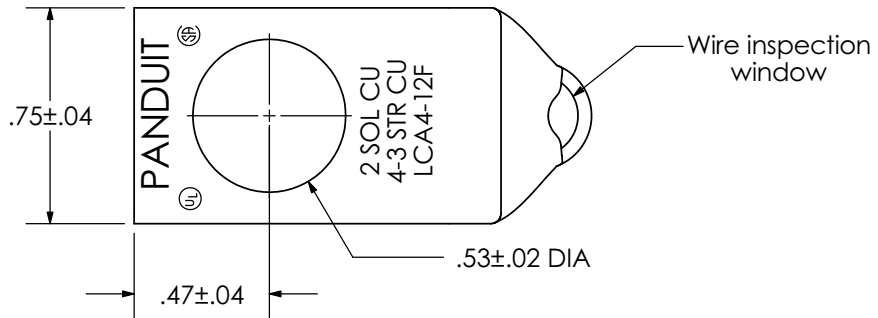


THIS COPY IS PROVIDED ON A RESTRICTED BASIS AND IS NOT TO BE USED IN ANY WAY DETRIMENTAL TO THE INTERESTS OF PANDUIT CORP.

Material	High Conductivity Seamless Copper Tube
Plating	Electro-Tin
Wire Size	4 AWG, 3 AWG & 2 SOL
Wire Type	Stranded Copper; Class B: Compact, Compressed or Concentric, Class C: Concentric
Wire Strip Length	7/8 in.
Stud Size	1/2 in.
UL Listed Wire Connector	Yes, for applications up to 35kv. Consult cable manufacturer for voltage stress relief instructions with applications greater than 2000 volts.
UL Temperature Rating	90° C
C.S.A Certified Wire Connector	Yes
Panduit Color Code on Barrel	GRAY
Panduit Die Index No. on Barrel	P29
Alternate Industry Die Index No. ( ) on Barrel	(8)



02	5/09	JHNU	JHNU	REVISED OVERALL LENGTH: 1.59 WAS 1.70 REVISED OVERALL HEIGHT: 1.31 WAS 1.19 REVISED TONGUE LENGTH: 1.10 WAS 1.21
REV	DATE	BY	CHK	DESCRIPTION

**PANDUIT CORP. TINLEY PARK, ILLINOIS**

LCA4-12F-L  
Copper Lug - One-Hole, Standard Barrel, 90° Angle Tongue

ECN SCALE N/A DRAWING NO / CAD FILE LCA4-12F-CUST