



RAYCHEM

Repair kit
T2Green, T2Blue,
T2Blue-Mat,
QuickNet & CeraPro
U-ACC-FH-CW-SP

REPARATUR-SET

KIT DE RÉPARATION

REPARATIEKIT

REPARASJONSSETT

REPARATIONS-KIT

REPARATIONSSÆT

KORJAUSSARJA

KIT DI RIPARAZIONE

ZESTAW NAPRAWCZY

РЕМОНТНЫЙ КОМПЛЕКТ

OPRAVNÁ SOUPRAVA

JAVÍTÓKÉSZLET

T2Green

T2Blue

QuickNet

CeraPro

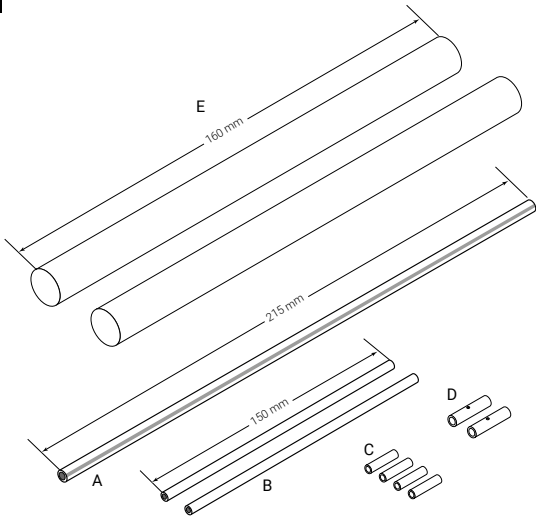
T2Green

T2Blue

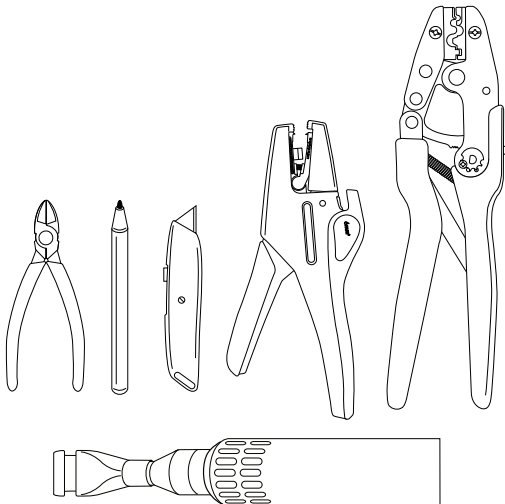
QuickNet

CeraPro

A



B



ENGLISH

- A Yellow/green wire
- B Connection wires
- C, D Crimps
- E Heat-shrinkable sleeves

DEUTSCH

- A Gelber/grüner isolierter Draht
- B Isolierte Verbindungsdrähte
- C, D Crimp-Verbinder
- E Schrumpfschläuche

FRANÇAIS

- A. File jaune/vert
- B. Files connecteurs
- C, D Fûts à sertir
- E Manchons thermorétractables

NEDERLANDS

- A Gele/groene draad
- B Draden voor verbindingen
- C, D Krimpverbinding
- E Krimpkousen

NORSK

- A Gul/grønn ledning
- B Ledninger for link
- C, D Klemforbindelser
- E Fôringer som krymper under varme

SVENSKA

- A Gul/grön tråd
- B Trådar för anslutning
- C, D Klämhylsor
- E Krymphylsor

DANSK

- A Gul/grøn wire
- B Tilslutning wirer
- C, D Klemmer
- E Krympbare slanger

SUOMI

- A Keltavihreä johdin
- B Johdot yhteyden muodostamiseksi
- C, D Puristushylsyt
- E Kutisteteletkut

ITALIANO

- A Filo giallo/verde
- B Fili per la connessione
- C, D Connettori
- E Manicotti termorestringenti

POLSKI

- A Drut w kolorze żółto-zielonym
- B Przewody do połączenia
- C, D Zaciski zagniatane
- E Koszulki termokurczliwe

РУССКИЙ

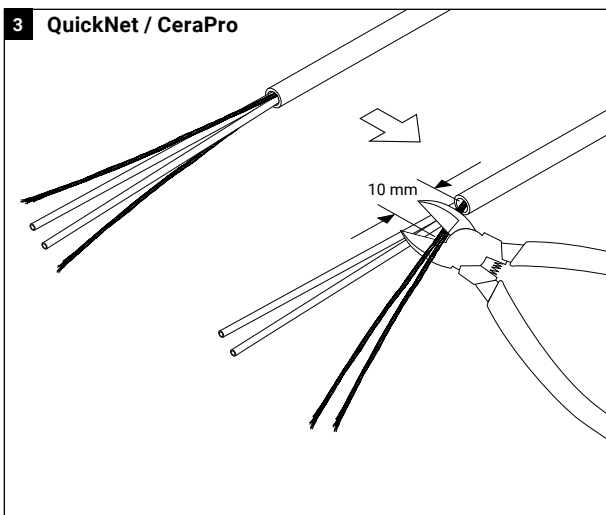
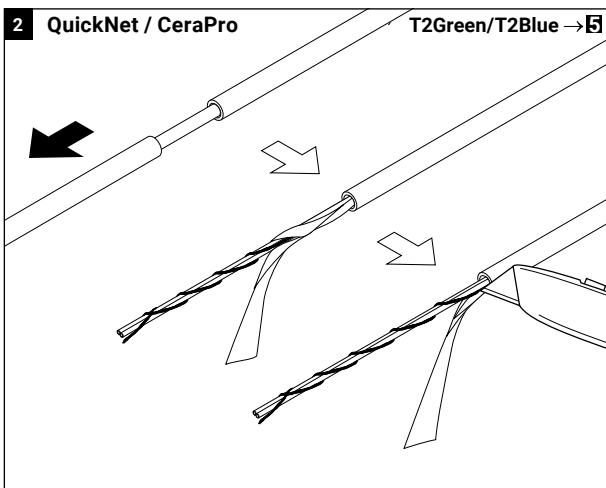
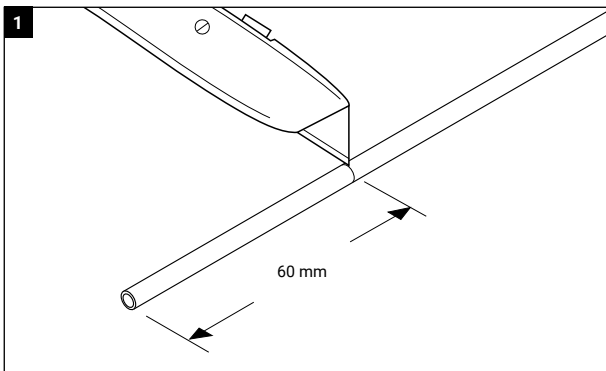
- A Жёлтая/зелёная проволока
- B провода для подключения
- C, D Гофры
- E Термоусадочные трубки

ČESKY

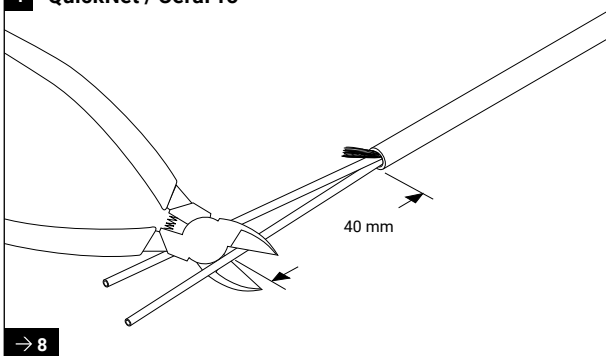
- A Žlutozelený vodič
- B Vodiče pro připojení
- C, D Obruby
- E Teplem smršťované trubice

MAGYAR

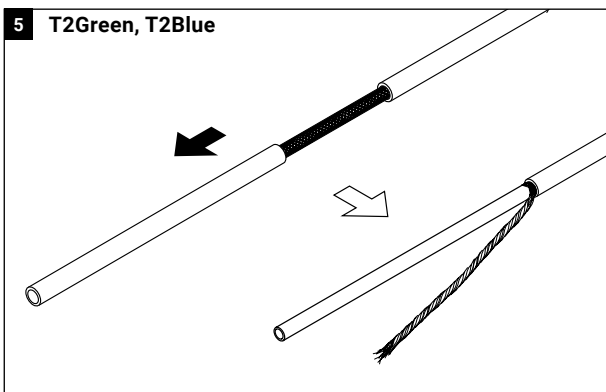
- A Žuta/zelena huzal
- B vezetékek a csatlakozáshoz
- C, D Cjevčice za zaštitu spoja
- E Termoskupljajuće spojnice



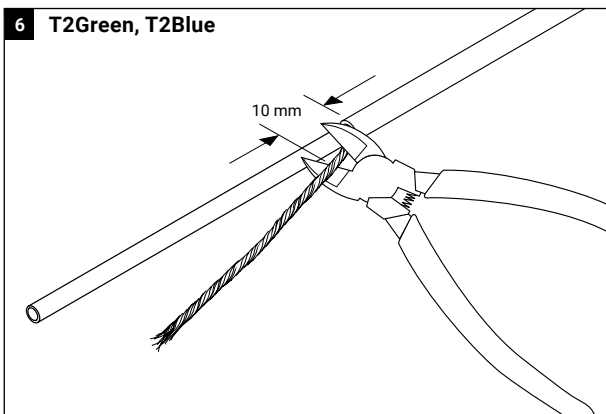
4 QuickNet / CeraPro



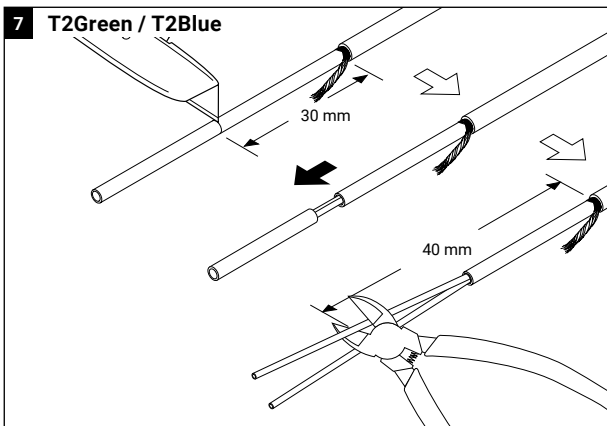
5 T2Green, T2Blue



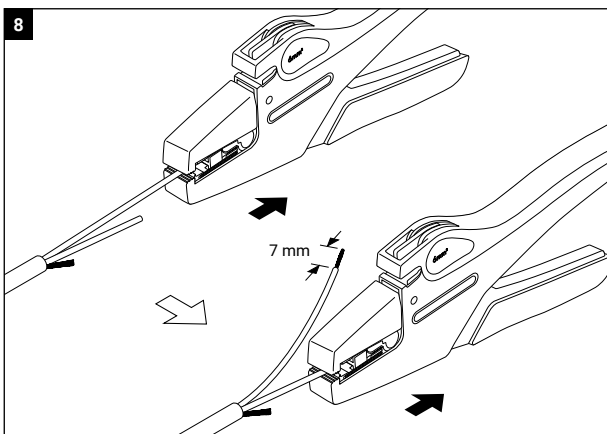
6 T2Green, T2Blue



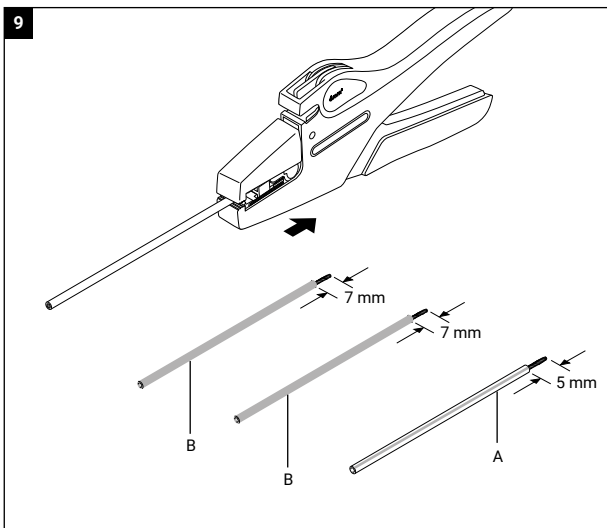
7 T2Green / T2Blue

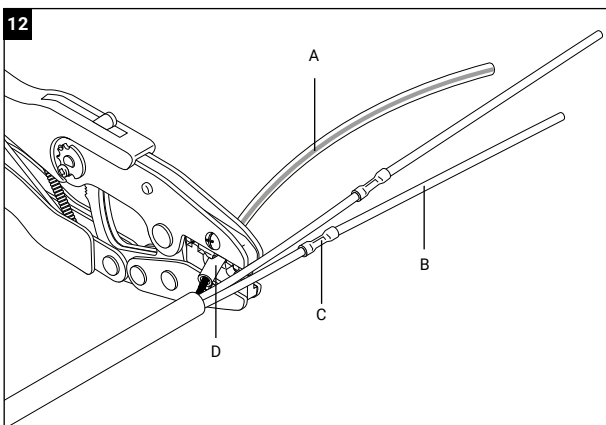
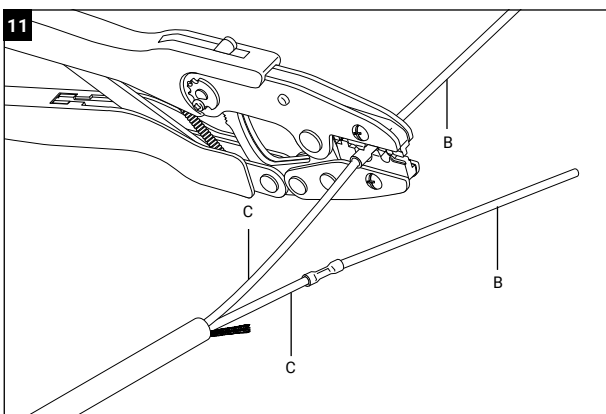
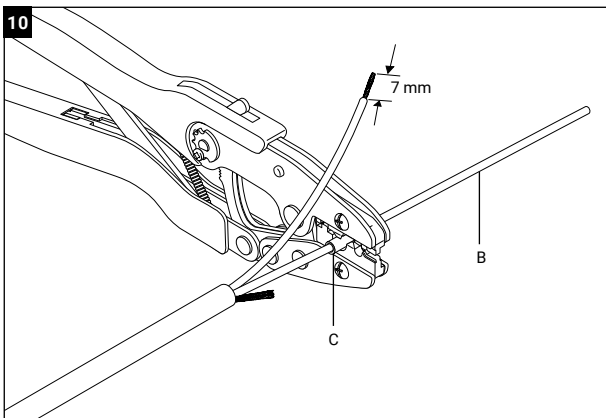


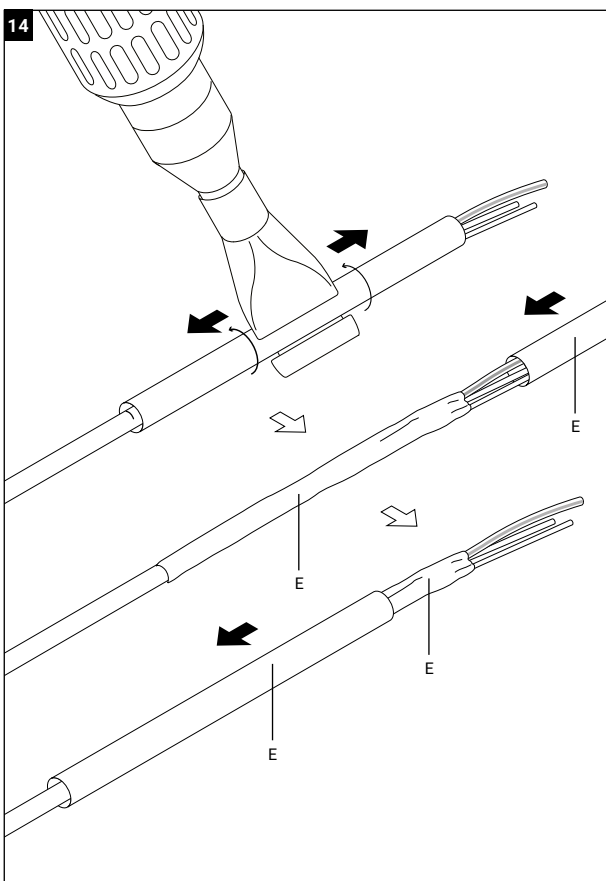
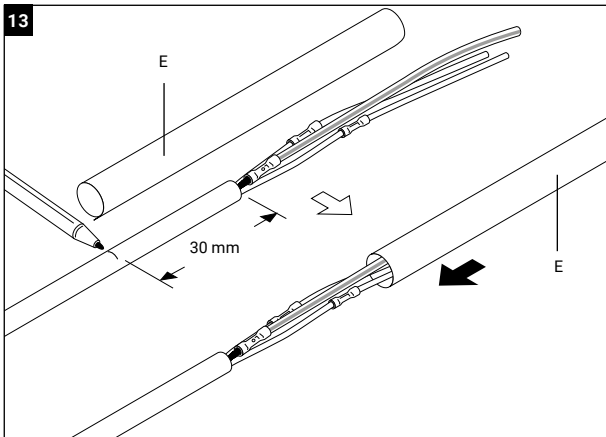
8



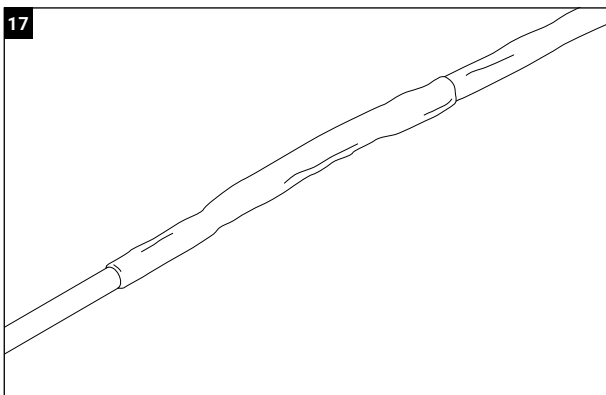
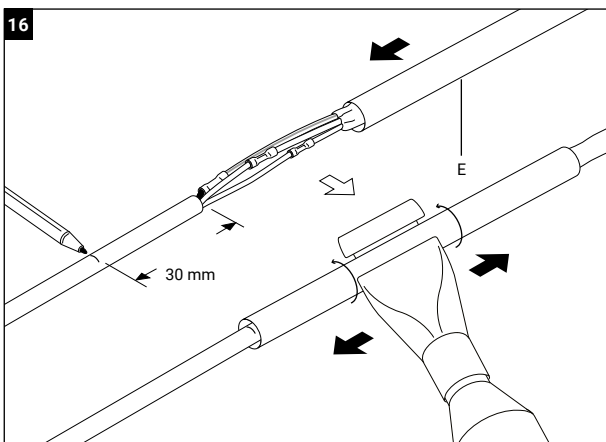
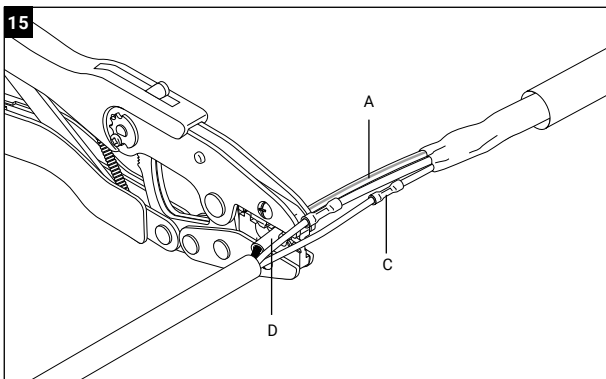
9







- 1** **2** **3** **4** **5** **6** **7** **8**

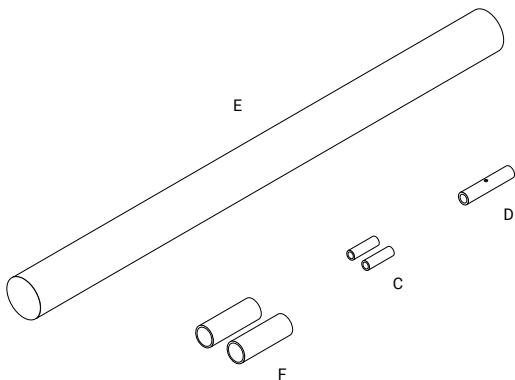


T2Green
T2Blue
QuickNet
CeraPro

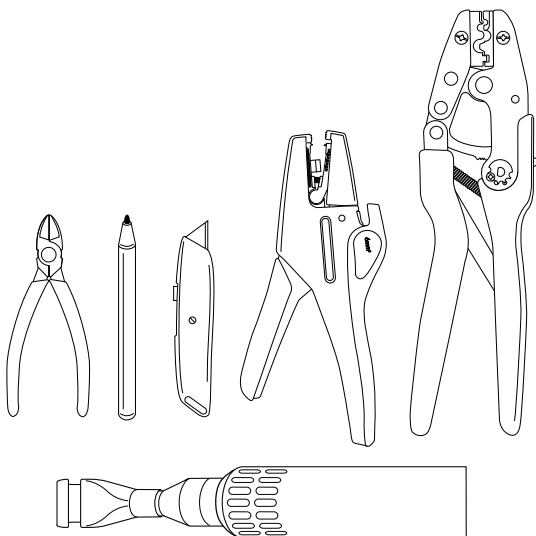
230 V AC



A



B



ENGLISH

C, D Crimps
E, F Heat-shrinkable sleeves

DEUTSCH

C, D Crimp-Verbinder
E, F Schrumpfschläuche

FRANÇAIS

C, D Fûts à sertir
E, F Manchons
thermorétractables

NEDERLANDS

C, D Krimpverbinders
E, F Krimpkousen

NORSK

C, D Klemforbindelser
E, F Fôringer som krymper
under varme

SVENSKA

C, D Klämhylsor
E, F Krymphylsor

DANSK

C, D Klemmer
E, F Krympbare slanger

SUOMI

C, D Puristushylsyt
E, F Kutistelektut

ITALIANO

C, D Connettori
E, F Manicotti
termorestringenti

POLSKI

C, D Zaciski zagniatane
E, F Koszulki termokurcziwe

РУССКИЙ

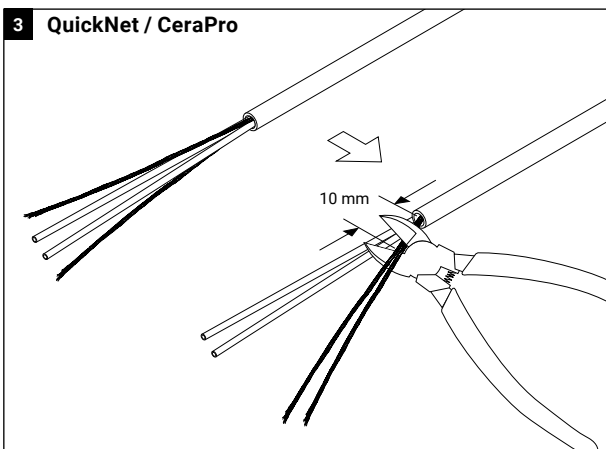
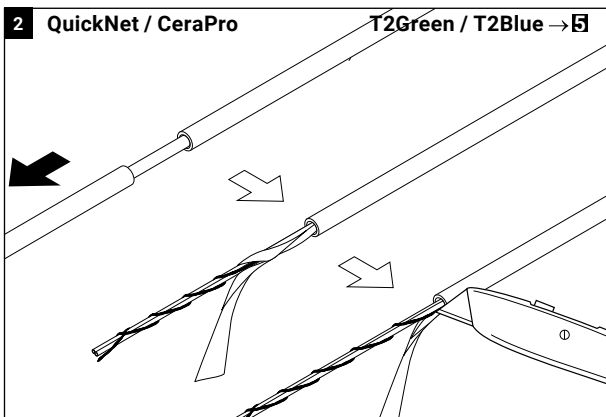
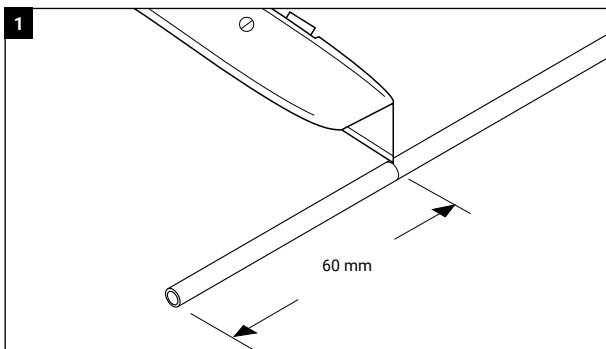
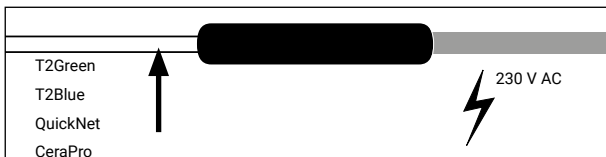
C, D Гофры
E, F Термоусадочные
трубки

ČESKY

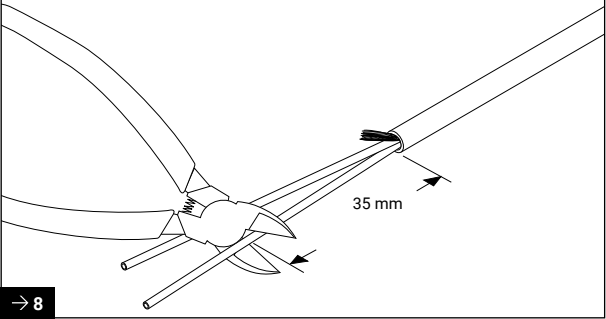
C, D Obruby
E, F Teplem smršťované
trubice

MAGYAR

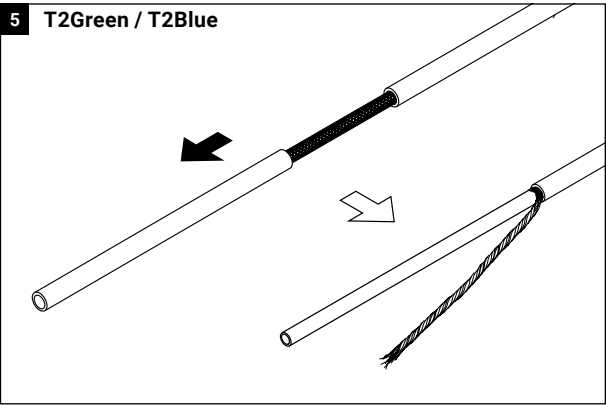
C, D Cjevčice za zaštitu spoja
E, F Termoskupljajuće
spojnice



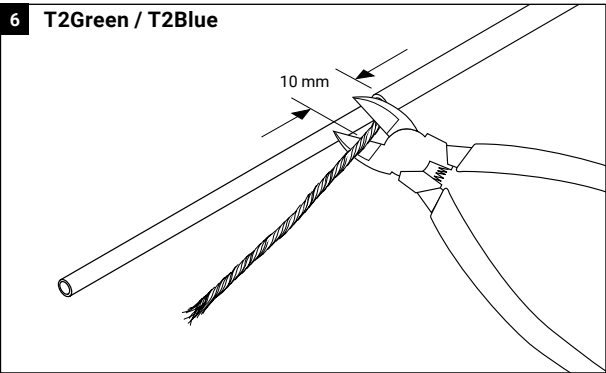
4 QuickNet / CeraPro



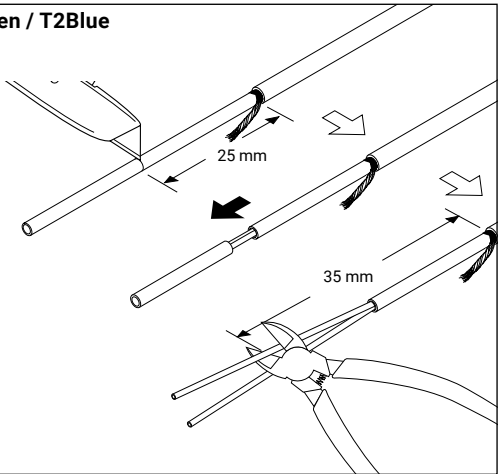
5 T2Green / T2Blue



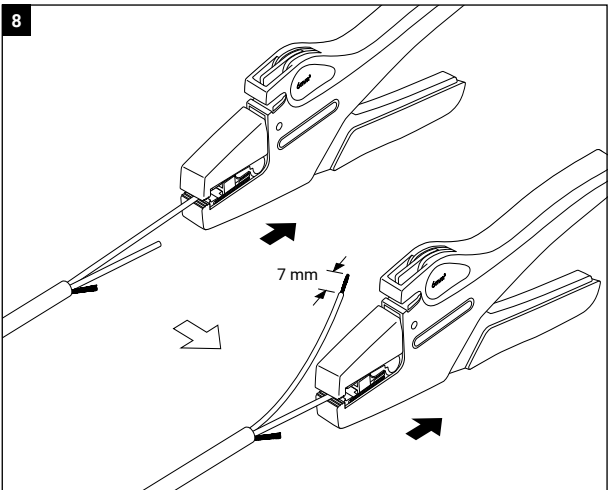
6 T2Green / T2Blue



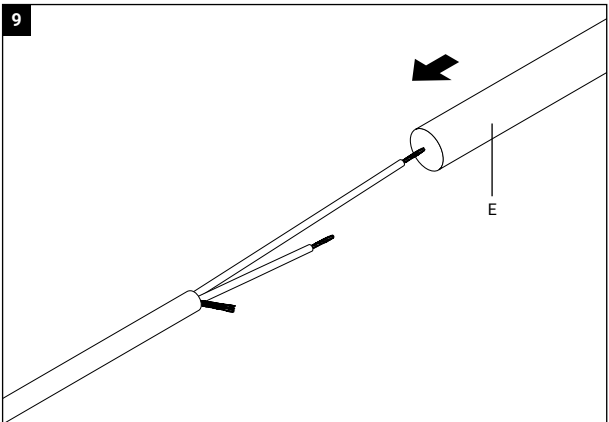
7 T2Green / T2Blue

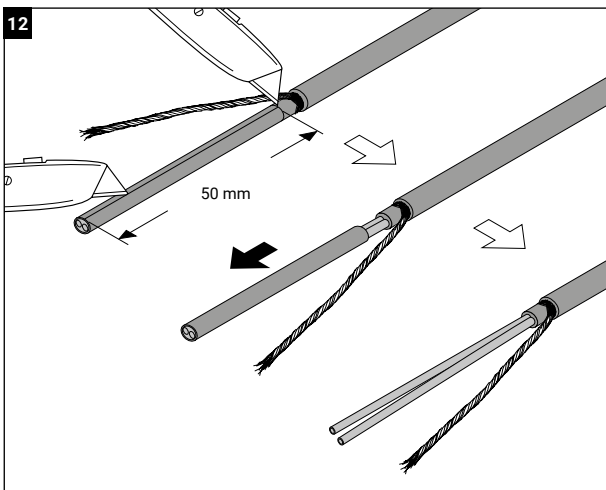
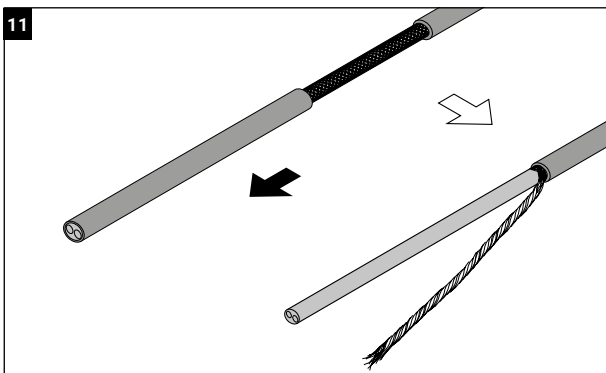
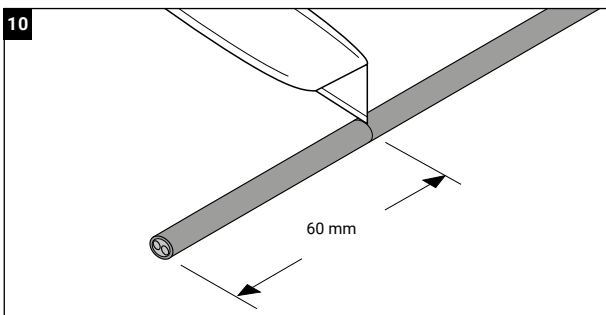
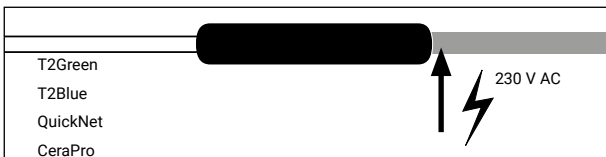


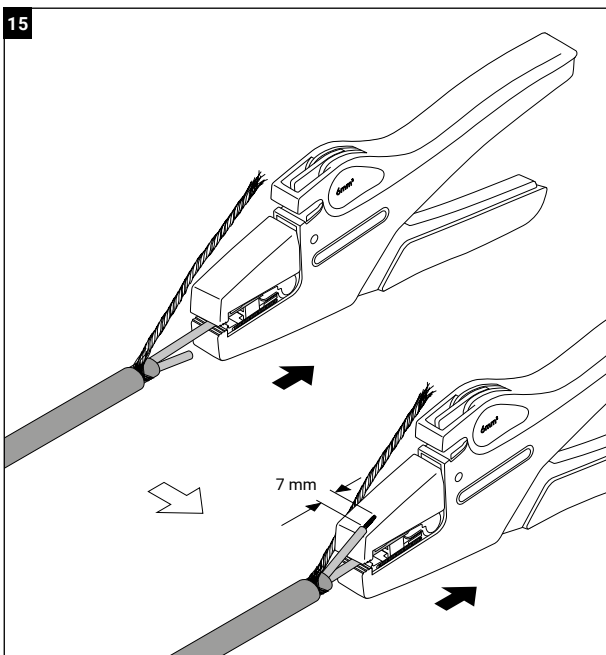
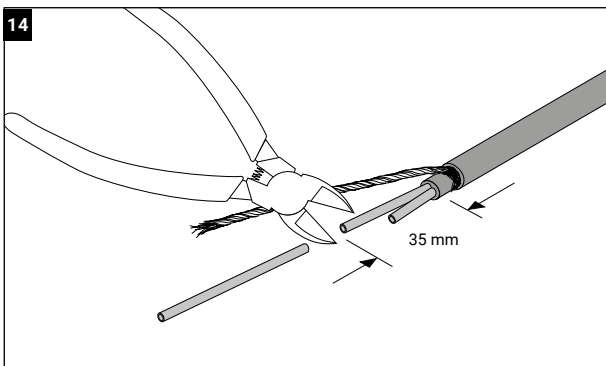
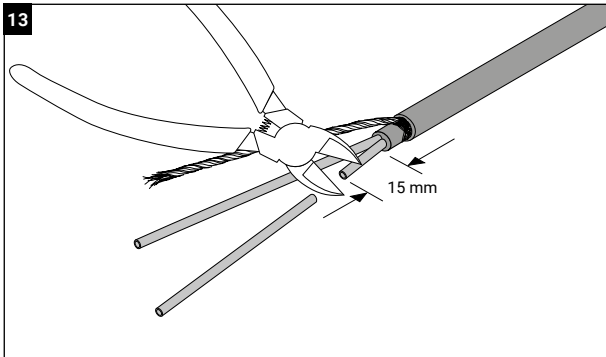
8



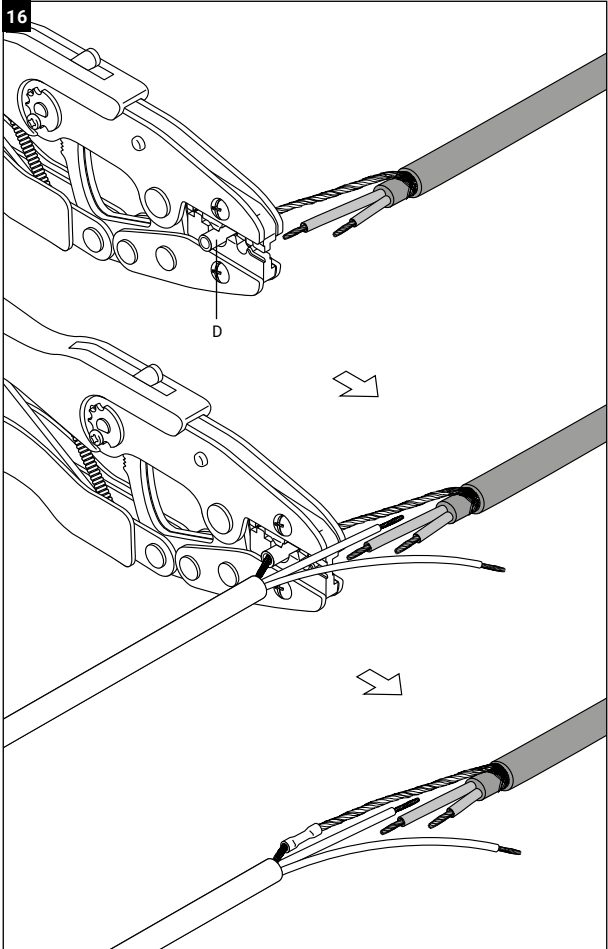
9



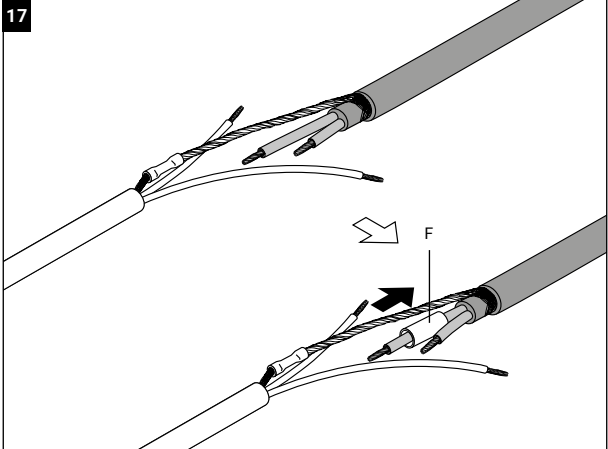




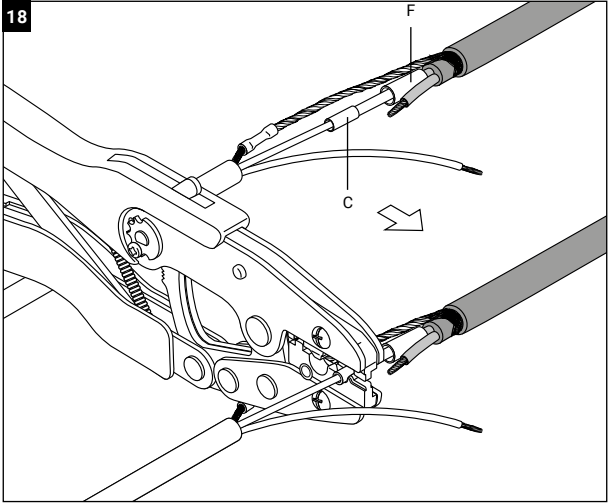
16



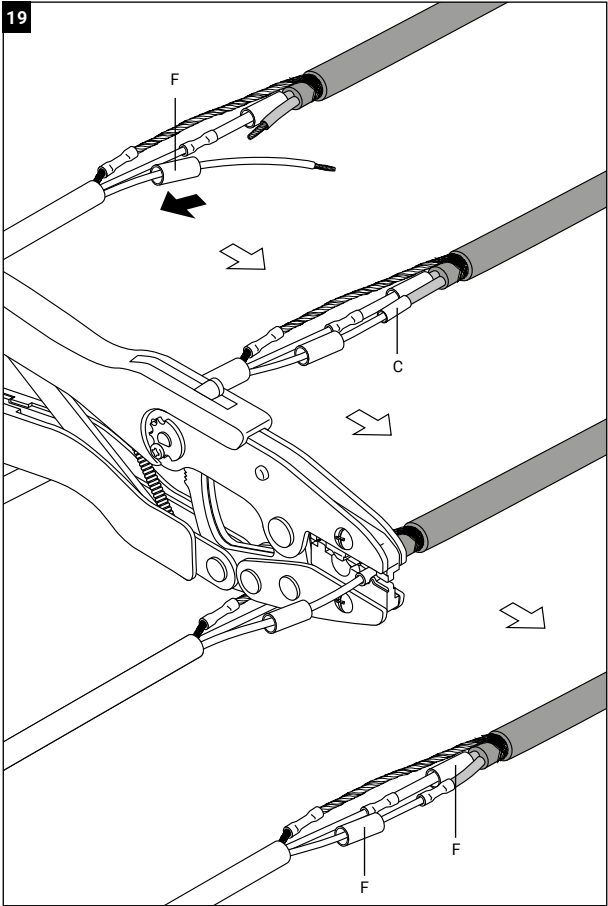
17



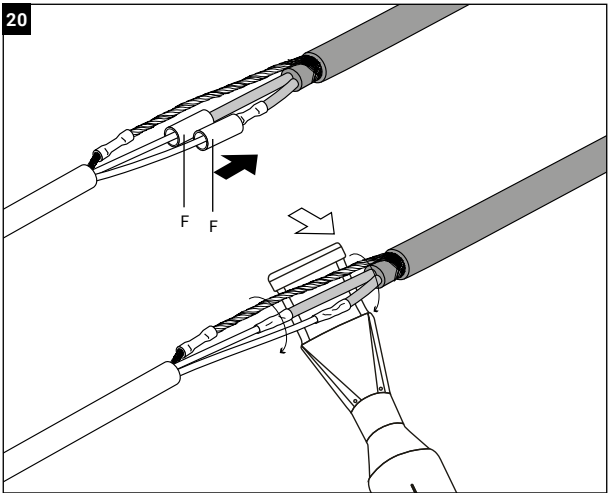
18



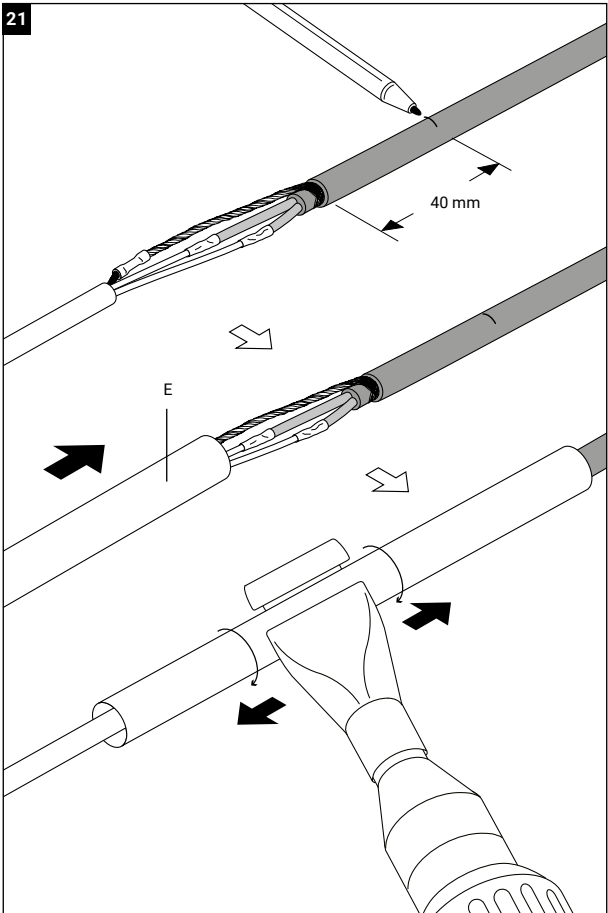
19



20

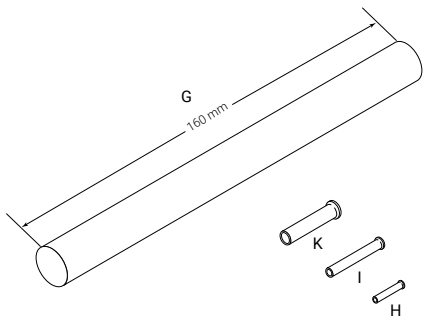


21

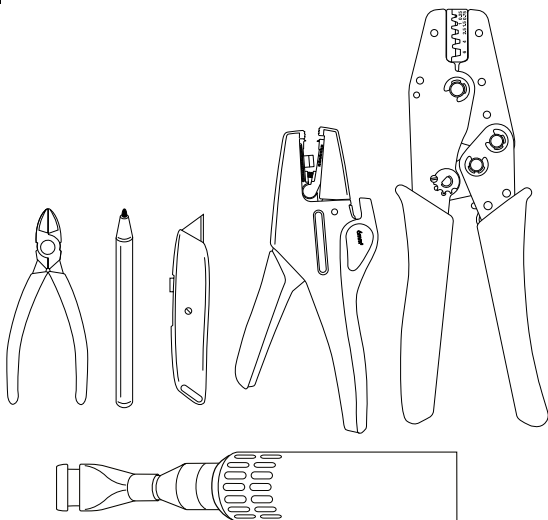


T2Green
T2Blue
QuickNet
CeraPro

A



B



ENGLISH

G Heat-shrinkable sleeves
H, I, K End sleeves

DEUTSCH

G Schrumpfschläuche
H, I, K Endhülsen

FRANÇAIS

G. Manchons thermorétractables
H, I, K. Manchons d'extrémité

NEDERLANDS

G Krimpousen
H, I, K Krimpverbinders

NORSK

G Fôringer som krymper under varme
H, I, K Slutfôringer

SVENSKA

G Krymphylsor
H, I, K Ändhylsor

DANSK

G Krympbare slanger
H, I, K Slangeender

SUOMI

G Kutisteletkut
H, I, K Loppupäätteet

ITALIANO

G Manicotti termorestringenti
H, I, K manicotti terminali

POLSKI

G Koszulki termokurczliwe
H, I, K Koszulki końcowe

РУССКИЙ

G термоусадочные трубки
H, I, K концевые трубки

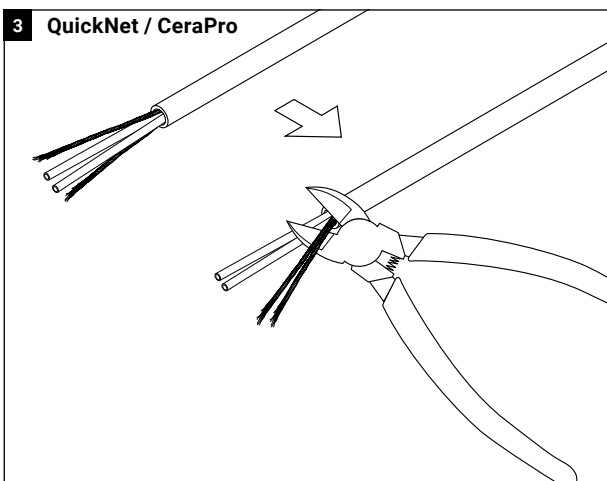
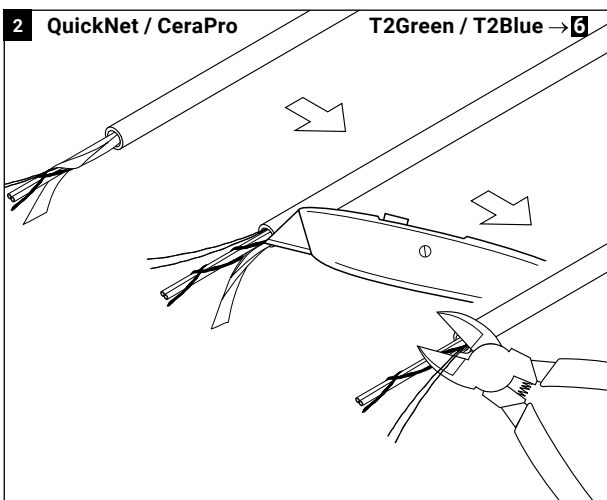
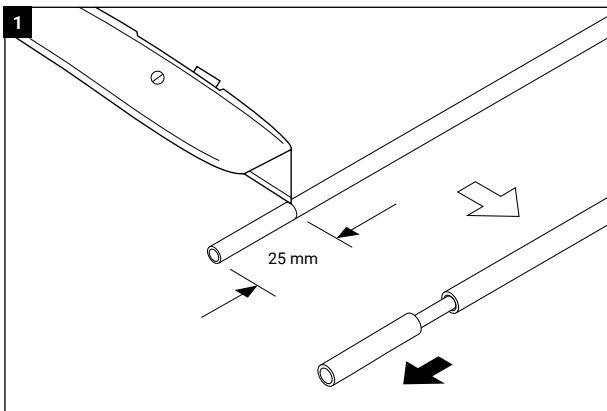
ČESKY

G Teplem smršťované trubice
H, I, K Koncové trubice

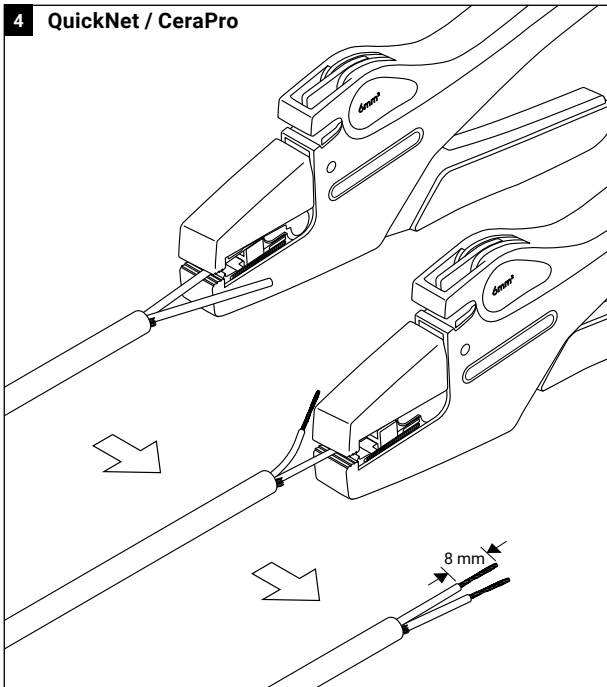
MAGYAR

G Zsugorfólia csövek
H, I, K Záróelem

C	ferrule crimp type	yarn colours	T2Green (m)	T2Blue-A (m)	T2Blue-C (m)	QuickNet-N (m ²)	QuickNet-P (m ²)	CeraPro (m)	T2Blue Mat (W - m ²)
H	White - Yellow	15	10		1				130W-1,2m ²
H	White - Orange	20	15	11	1,5	1	14		
H	White-White	25	20	14	2				265W-2,4m ²
H	Red-Orange					1,5	21		
H	White - Red	35	25	18	2,5				
H	Grey-Grey	40	30	21	3	2	28		400W-3,7m ²
H	White - Brown	50	35		3,5				
H	Red-Brown					2,5	35		
H	Violet-Violet		40	28	4				530W-4,9m ²
H	White - Black	60	45		4,5	3	43		
H	Blue-Blue		50	35	5				
H	Red-Violet	70				3,5			
H	Red-Black		55						
H	Green-Green	85	60	43	6	4	57		800W-7,4m ²
H	Yellow-Green		65			4,5			
H	Yellow-Yellow	100	70	50	7				925W-8,5m ²
H	White-Green		75			5	71		
H	Orange-Orange	115	80	57	8				
H	Red-Red		90	63	9	6			1185W-10,9m ²
H	Brown-Brown		101	71	10				1335W-12,3m ²
H	Red-Green					7	100		
H	Black-Black		121	86	12	8			1605W-14,8m ²
I	Violet-White		40	28					530W-4,9m ²
I	Red-Blue		55						
I	Blue-Yellow	85	60	43					800W-7,4m ²
I	Black-Orange		150			9			
I	Black-Yellow		142	101					1885W-17,4m ²
I	Black-Green					10			
I	Black-Violet		160	115					2150W-19,9m ²
K	Black-Grey		180						2375W-22,2m ²
K	Green-Brown		200						

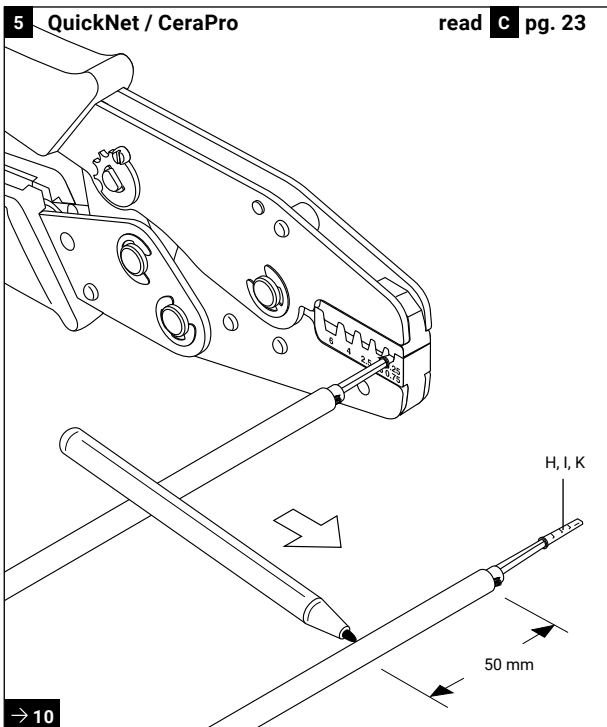


4 QuickNet / CeraPro



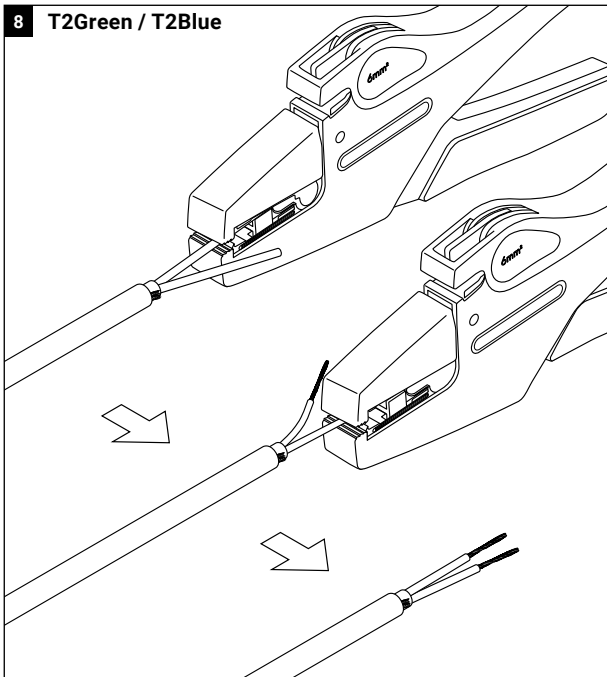
5 QuickNet / CeraPro

read **C** pg. 23



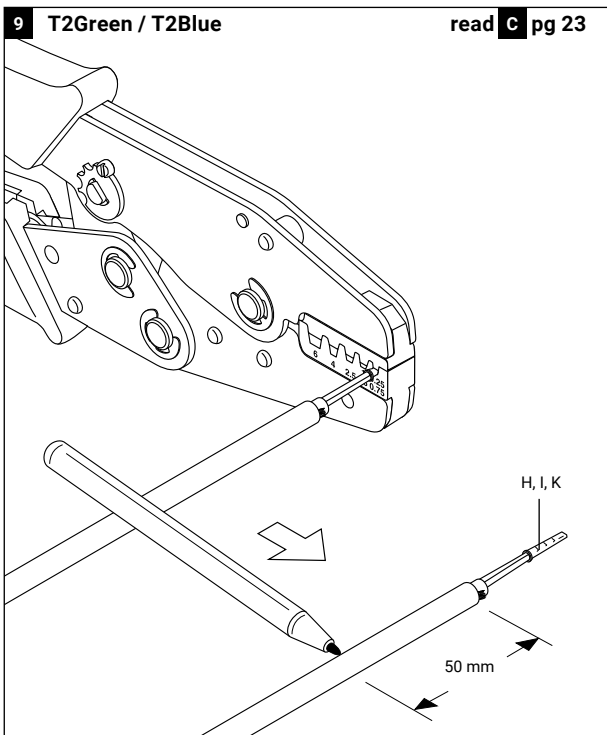
→ 10

8 T2Green / T2Blue

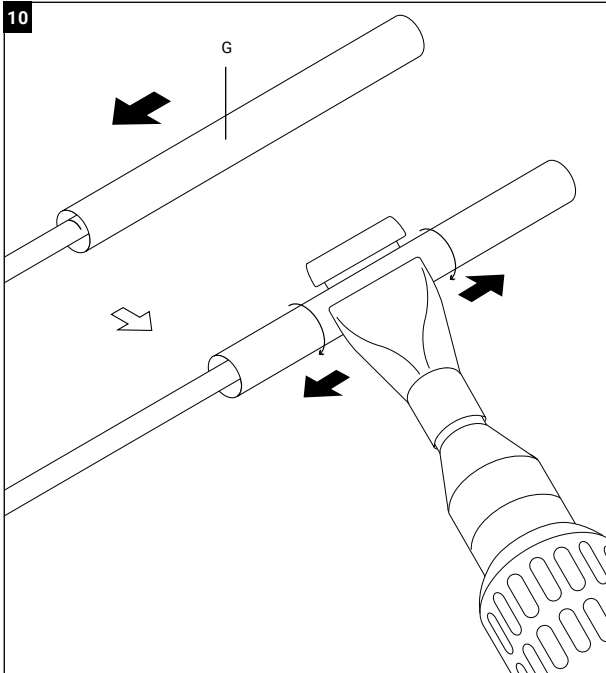


9 T2Green / T2Blue

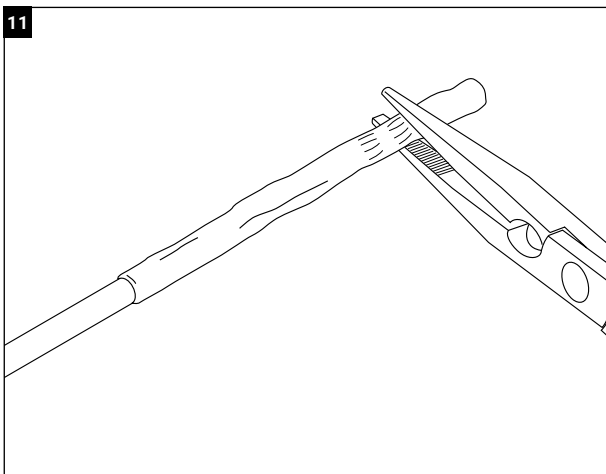
read **C** pg 23

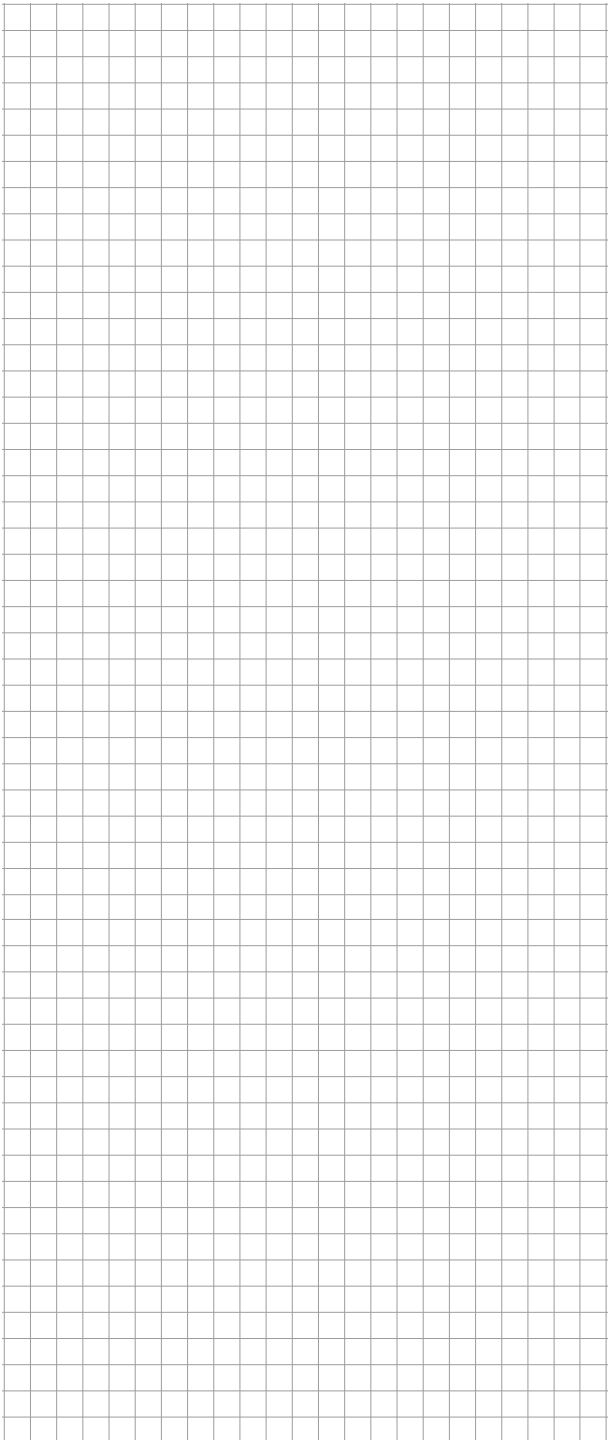


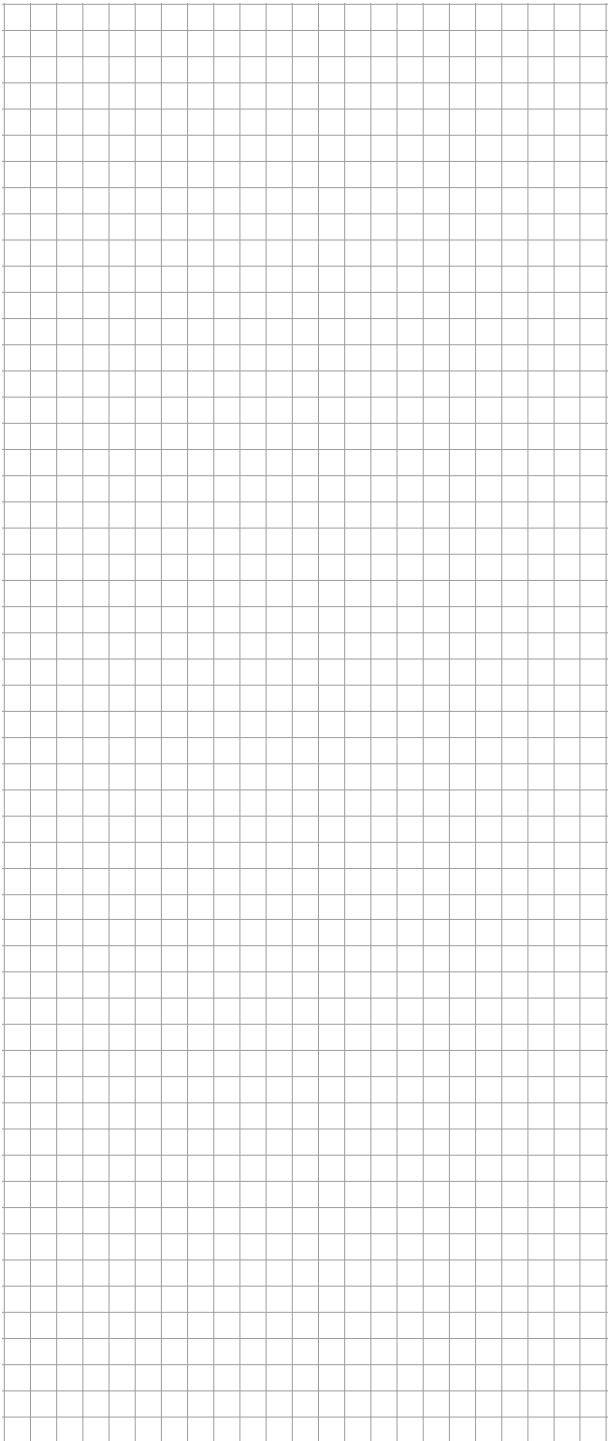
10



11







België/Belgique

Tel +32 16 21 35 02
Fax +32 16 21 36 04
salesbelux@nvent.com

Bulgaria

Tel +359 5686 6886
Fax +359 5686 6886
salessee@nvent.com

Česká Republika

Tel +420 602 232 969
czechinfo@nvent.com

Danmark

Tel +45 70 11 04 00
salesdk@nvent.com

Deutschland

Tel 0800 1818205
Fax 0800 1818204
salesde@nvent.com

España

Tel +34 911 59 30 60
Fax +34 900 98 32 64
ntm-sales-es@nvent.com

France

Tél 0800 906045
Fax 0800 906003
salesfr@nvent.com

Hrvatska

Tel +385 1 605 01 88
Fax +385 1 605 01 88
salessee@nvent.com

Italia

Tel +39 02 577 61 51
Fax +39 02 577 61 55 28
salesit@nvent.com

Lietuva/Latvija/Eesti

Tel +370 5 2136633
Fax +370 5 2330084
info.baltic@nvent.com

Magyarország

Tel +36 1 253 7617
Fax +36 1 253 7618
saleshu@nvent.com

Nederland

Tel 0800 0224978
Fax 0800 0224993
salesnl@nvent.com

Norge

Tel +47 66 81 79 90
salesno@nvent.com

Österreich

Tel +43 (2236) 860077
Fax +43 (2236) 860077-5
salesat@nvent.com

Polska

Tel +48 22 331 29 50
Fax +48 22 331 29 51
salespl@nvent.com

Republic of Kazakhstan

Tel +7 7122 32 09 68
Fax +7 7122 32 55 54
saleskz@nvent.com

Россия

Тел +7 495 926 18 85
Факс +7 495 926 18 86
salesru@nvent.com

Serbia and Montenegro

Tel +381 230 401 770
Fax +381 230 401 770
salessee@nvent.com

Schweiz/Suisse

Tel +41 (41) 766 30 80
Fax +41 (41) 766 30 81
infoBaar@nvent.com

Suomi

Puh 0800 11 67 99
salesfi@nvent.com

Sverige

Tel +46 31 335 58 00
salesse@nvent.com

Türkiye

Tel +90 530 977 64 67
Fax +32 16 21 36 04
ntm-sales-tr@nvent.com

United Kingdom

Tel 0800 969013
Fax 0800 968624
salesthermalUK@nvent.com



nVent.com

©2018 nVent. All nVent marks and logos are owned or licensed by nVent Services GmbH or its affiliates. All other trademarks are the property of their respective owners. nVent reserves the right to change specifications without notice.

Raychem-IM-INST306-UACCFHCWSP-ML-1811

PCN 1244-008859