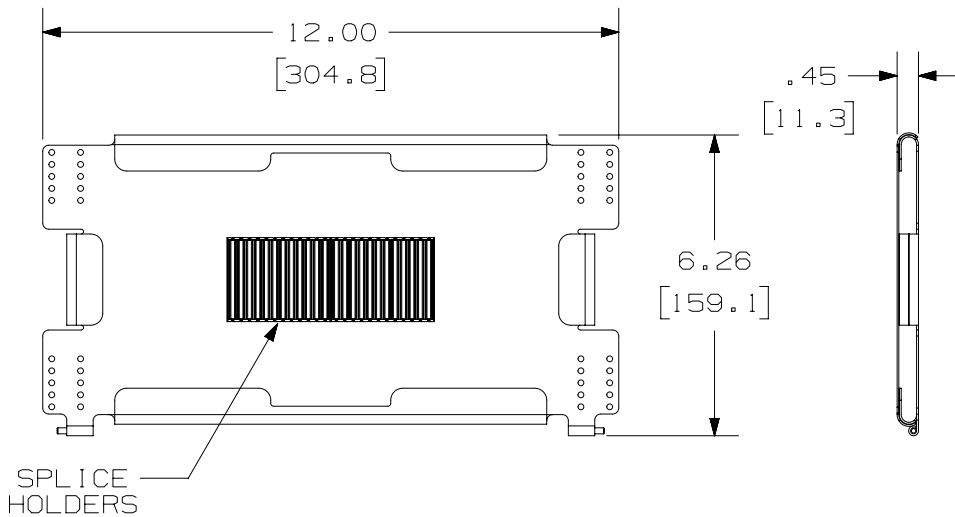
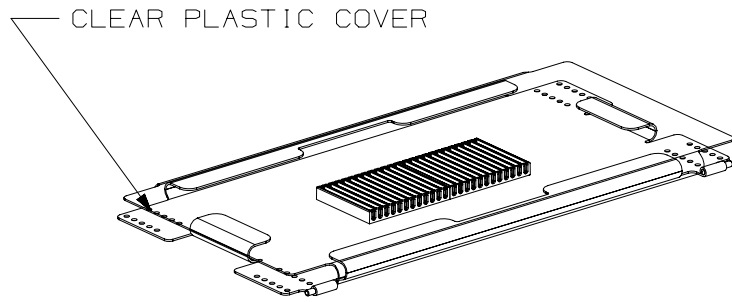


THIS COPY IS PROVIDED ON A RESTRICTED BASIS AND IS NOT TO BE USED IN ANY WAY DETRIMENTAL TO THE INTERESTS OF PANDUIT CORP.

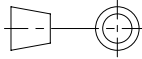


COVER REMOVED FOR CLARITY

NOTES:

1. VISIT OUR ON-LINE CATALOG AT WWW.PANDUIT.COM FOR A LIST OF CURRENT PARTS APPLICABLE FOR USE WITH THIS PRODUCT.
2. DIMENSIONS IN [] ARE METRIC.
3. TRAY WILL HOLD UP TO 12 RIBBON FUSION SPLICES (144 FIBERS).
4. INCLUDED WITH SPLICE TRAY;
 - 1 CLEAR PLASTIC COVER.
 - 2 FUSION SPLICE HOLDERS.
 - 2 GROMMET SLEEVES.
 - 10 CABLE TIES.
 - 6" HEAT SHRINK TUBING.
5. ALL MATERIALS AND COMPONENTS USED MEET THE MATERIAL RESTRICTIONS OF RoHS (EUROPEAN DIRECTIVE 2011/65/EU ON THE RESTRICTION OF HAZARDOUS SUBSTANCES) AS PROPOSED BY THE RoHS TECHNICAL ADAPTATION COMMITTEE.

PANDUIT P/N	WEIGHT
FST144R	0.48 LBS (220g)

PART NUMBER		FST144R		
TITLE		SPLICE TRAY UNIT 12 RIBBON FUSION SPLICES (144 FIBERS) CUSTOMER DRAWING		
ITEM REVISION NAME		17F088ET/00		
DATASET FILE NAME		17F088ET_DC/00A		
 THIRD ANGLE PROJECTION		PANDUIT		
MATERIAL		DRAWING NUMBER		
		17F088ET-DC		
DRAWN BY	DATE	CHK	SCALE	SIZE
SAT	09-27-18	BONS	NONE	A
SHEET 1 OF 1				

A-SIZE CUSTOMER

00A	09-27-18	SAT	BONS	AW	INITIAL RELEASE	17F088ET-DC
REV	DATE	BY	CHK	APR	DESCRIPTION	ECN