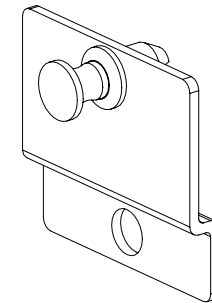
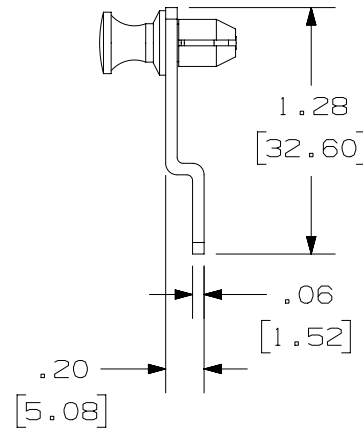
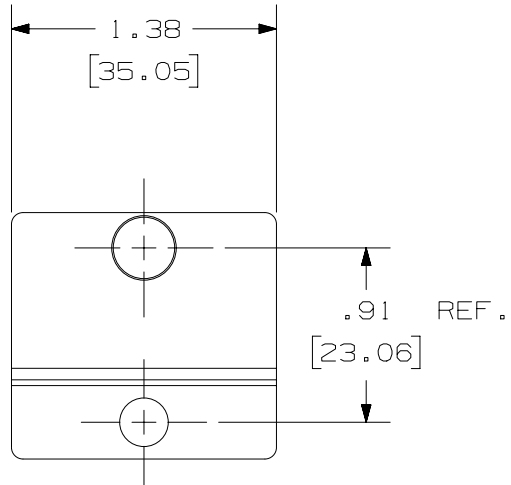
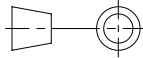


THIS COPY IS PROVIDED ON A RESTRICTED BASIS AND IS NOT TO BE USED IN ANY WAY DETRIMENTAL TO THE INTERESTS OF PANDUIT CORP.

NOTES:

1. VISIT OUR ON-LINE CATALOG AT WWW.PANDUIT.COM FOR A LIST OF CURRENT PARTS APPLICABLE FOR USE WITH THIS PRODUCT.
2. DIMENSIONS IN [ ] ARE METRIC.
3. ALL MATERIALS AND COMPONENTS USED MEET THE MATERIAL RESTRICTIONS OF RoHS (EUROPEAN DIRECTIVE 2011/65/EU ON THE RESTRICTION OF HAZARDOUS SUBSTANCES) AS PROPOSED BY THE RoHS TECHNICAL ADAPTATION COMMITTEE.
4. WEIGHT: 0.50oz [ 14.16g ]



PART NUMBER		OPTI-ADAPTER		
TITLE		OPTI-COM CASSETTE EXT BRACKET ASSY		
		CUSTOMER DRAWING		
ITEM REVISION NAME		10F113JQ/01		
DATASET FILE NAME		10F113JQ_DC/01A		
		THIRD ANGLE PROJECTION		
MATERIAL		N/A		
		DRAWING NUMBER		
		10F113JQ-DC		
DRAWN BY	DATE	CHK	SCALE	SIZE
SAT	09-14-18	SAT	NONE	A

REV	DATE	BY	CHK	APR	DESCRIPTION	ECN
01A	09-17-18	SAT	SAT	EJH	RELEASED TO PRODUCTION	10F113JQ-DC

A-SIZE CUSTOMER

2

1

2

1