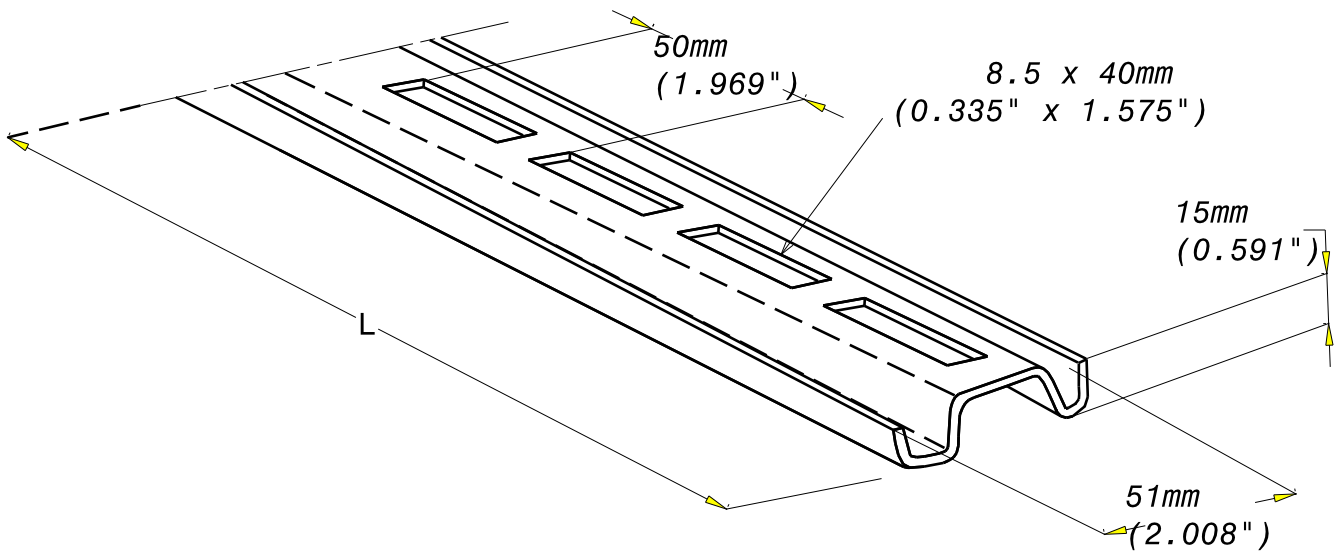


RAIL CS
CS CHANNEL

316L
316L



FT0356-4 | **03 16**



REF	CODE	POIDS (kg)	WEIGHT (lb)	L (mm)	l (inch)	Ep.	Th.
RCS 1000	002 924	1.255	2.770	1000	453	2.5	Ø. 1
RCS 2000	002 934	2.510	5.540	2000	906	2.5	Ø. 1
RCS 3000	002 944	3.765	8.310	3000	1359	2.5	Ø. 1

Material	Standard
X2 Cr Ni Mo 17-12-2	EN 10 088-2

Propriété exclusive de LEGRAND, ne peut être ni copié, ni transmis à des tiers sans autorisation écrite.
Exclusive property of LEGRAND shouldn't be reproduced or transmitted to any people without written authorization