



Product designation

Product type designation

Auxiliary
contactor
BF00

Contact characteristics

Number of poles	Nr.	4
Rated insulation voltage U_i IEC/EN	V	690
Rated impulse withstand voltage U_{imp}	kV	6

Operational frequency

min	Hz	25
max	Hz	400

IEC Conventional free air thermal current I_{th}

A	10
---	----

Protection fuse

gG (IEC)	A	25
----------	---	----

Tightening torque for terminals

min	Nm	1.5
max	Nm	1.8
min	lbin	1.1
max	lbin	1.5

Tightening torque for coil terminal

min	Nm	0.8
max	Nm	1
min	lbin	0.8
max	lbin	0.74

Max number of wires simultaneously connectable

Nr.	2
-----	---

Conductor section

AWG/Kcmil

max	10
-----	----

Flexible w/o lug conductor section

min	mm ²	1
max	mm ²	6

Flexible c/w lug conductor section

min	mm ²	1
max	mm ²	4

Flexible with insulated spade lug conductor section

min	mm ²	1
max	mm ²	4

Power terminal protection according to IEC/EN 60529

IP20 when
properly wired

Mechanical features

Operating position

normal allowable	Vertical plan ±30°
---------------------	-----------------------

Fixing

Screw / DIN rail
35mm

Weight

g	358
---	-----

Conductor section

AWG/kcmil conductor section

max 10

Auxiliary contact characteristics

Thermal current I_{th} A 10

IEC/EN 60947-5-1 designation A600 - P600

Operating current AC15

230V	A	3
400V	A	1.9
500V	A	1.4

Operating current DC12

110V	A	5.7
------	---	-----

Operating current DC13

24V	A	5.7
48V	A	2.9
60V	A	2.3
110V	A	1.25
125V	A	1.1
220V	A	0.55
600V	A	0.2

Operations

Mechanical life cycles 20000000

Safety related data

Performance level B10d according to EN/ISO 13489-1

mechanical load cycles 20000000

Mirror contacts according to IEC/EN 60947-4-1 YES

EMC compatibility yes

AC coil operating

Rated AC voltage at 60Hz V 230

AC operating voltage

of 60Hz coil powered at 60Hz
pick-up

min	%Us	80
max	%Us	110

drop-out

min	%Us	20
max	%Us	55

AC average coil consumption at 20°C

of 60Hz coil powered at 60Hz

in-rush	VA	75
holding	VA	9

Dissipation at holding ≤20°C 50Hz W 2.5

Max cycles frequency

Mechanical operation cycles/h 3600

Operating times

Average time for U_s control

in AC

Closing NO

min	ms	8
max	ms	24

Opening NO

min	ms	10
max	ms	20

Closing NC	min	ms	9
	max	ms	25
Opening NC	min	ms	9
	max	ms	15

UL technical data

General USE

Auxiliary contacts

AC current A 10

Contact rating of auxiliary contacts according to UL

A600 - P600

Ambient conditions

Temperature

Operating temperature

min	°C	-50
max	°C	70

Storage temperature

min	°C	-60
max	°C	80

Max altitude

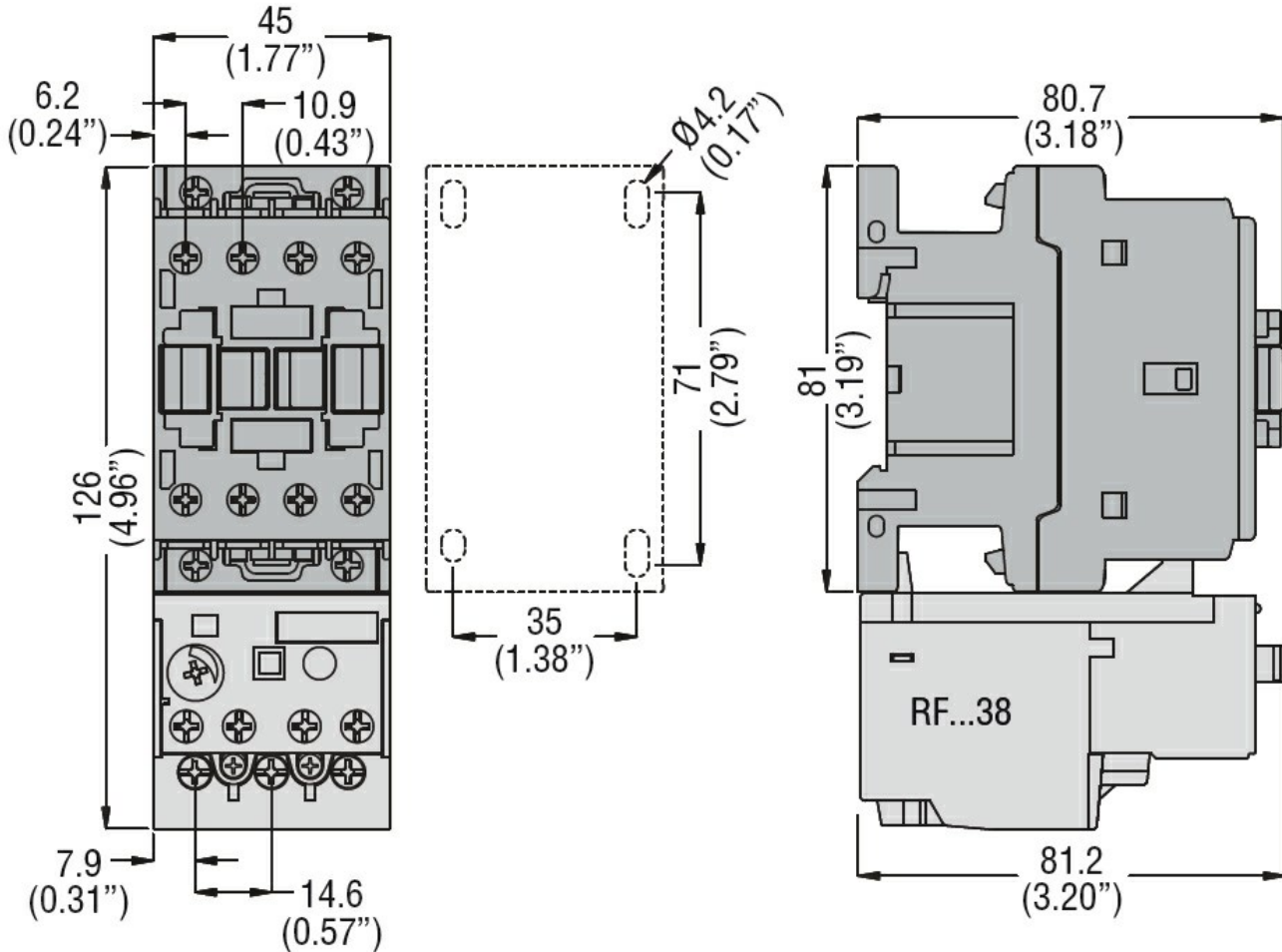
m 3000

Resistance & Protection

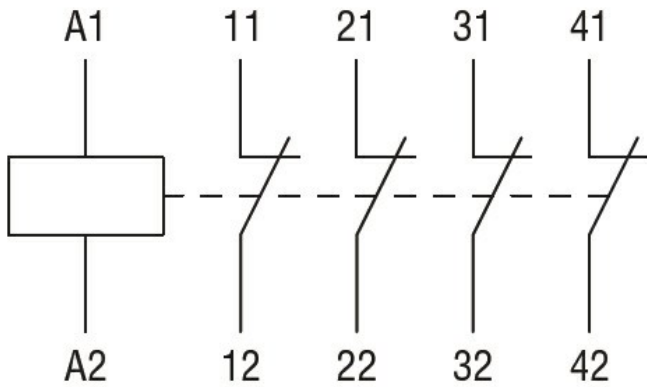
Pollution degree

3

Dimensions



Wiring diagrams



Certifications and compliance

Compliance

CSA C22.2 n° 60947-1
 CSA C22.2 n° 60947-5-1
 IEC/EN 60947-1
 IEC/EN 60947-5-1
 UL 60947-1
 UL 60947-5-1

Certificates

CCC
 cULus
 EAC

ETIM classification

ETIM 8.0

EC000196 -
 Contactor relay