

1SET112002R0000 ✓ ACTIVE

ENTRELEC

TE Internal #: 1SET112002R0000

Crimp Wire Pins, Tabs & Ferrules, Ferrule, Pin Diameter 1.7 mm, 18

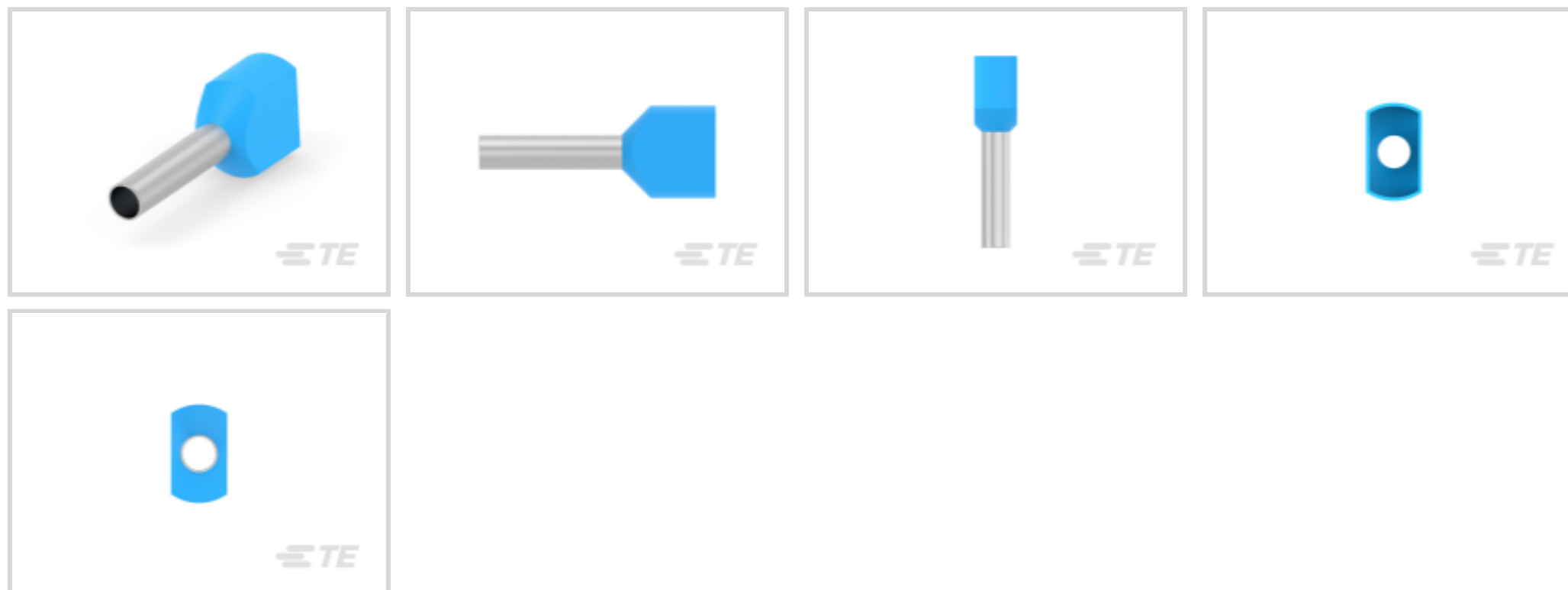
AWG Wire Size, .75 mm<sup>2</sup> Wire Size, .067 in [1.7 mm] Barrel Inside

Diameter, Closed

[View on TE.com >](#)



Terminals & Splices > Crimp Wire Pins, Tabs & Ferrules



Crimp Wire Pin, Tab & Ferrule Terminal Type: **Ferrule**

Pin Diameter: **1.7 mm**

Accepts Wire Insulation Diameter Range: **2.4 mm, 5 mm [ .095 in, .197 in ]**

Wire Size: **.75 mm<sup>2</sup>**

## Features

### Product Type Features

Sealable	No
Compatible With Discrete Wire Type	Stranded
Wire Insulation Support Retention Type	Insulation Support

### Configuration Features

Compatible With Wire & Cable Type	Discrete Wire
-----------------------------------	---------------

### Body Features

Double Wire	Yes
Insulation Color	Blue
Insulation Material	PP

### Contact Features

Terminal Length	8 mm [.312 in]
Crimp Wire Pin, Tab & Ferrule Terminal Type	Ferrule
Barrel Type	Closed
Terminal Plating Material	Tin



Terminal Orientation	Straight
----------------------	----------

### Mechanical Attachment

Wire Insulation Support	Without
-------------------------	---------

### Dimensions

2-Wire Size	18 AWG
-------------	--------

Strip Length	11 mm[.433 in]
--------------	----------------

Pin Diameter	1.7 mm
--------------	--------

Accepts Wire Insulation Diameter Range	2.4 mm, 5 mm[.095 in][.197 in]
--	--------------------------------

Wire Size	.75 mm <sup>2</sup>
-----------	---------------------

Barrel Inside Diameter	1.7 mm[.067 in]
------------------------	-----------------

Terminal Material Thickness	.15 mm[.005 in]
-----------------------------	-----------------

Overall Product Length	15 mm[.591 in]
------------------------	----------------

### Usage Conditions

Insulation Option	Partially Insulated
-------------------	---------------------

Operating Temperature Range	105 °C[221 °F]
-----------------------------	----------------

### Operation/Application

Heavy Duty	No
------------	----

### Packaging Features

Packaging Quantity	500
--------------------	-----

Packaging Method	Bag
------------------	-----

### Other

Barrel Color	Blue
--------------	------

### Product Compliance

[For compliance documentation, visit the product page on TE.com>](#)

EU RoHS Directive 2011/65/EU	Not Yet Reviewed
------------------------------	------------------

EU ELV Directive 2000/53/EC	Not Yet Reviewed
-----------------------------	------------------

China RoHS 2 Directive MIIT Order No 32, 2016	Not reviewed for China RoHS compliance
---	--

EU REACH Regulation (EC) No. 1907/2006	Current ECHA Candidate List: JUNE 2022 (224) Not Yet Reviewed
--	--

Halogen Content	Not Yet Reviewed for halogen content
-----------------	--------------------------------------

Solder Process Capability	Not reviewed for solder process capability
---------------------------	--

Product Compliance Disclaimer

This information is provided based on reasonable inquiry of our suppliers and represents our current actual knowledge based on the information they provided. This information is subject to change. The part numbers that TE has identified as EU RoHS compliant have a maximum concentration of 0.1% by weight in homogenous materials for lead, hexavalent chromium, mercury, PBB, PBDE, DBP, BBP, DEHP, DIBP, and 0.01% for cadmium, or qualify for an exemption to these limits as defined in the Annexes of Directive 2011/65/EU (RoHS2). Finished electrical and electronic equipment products will be CE marked as required by Directive 2011/65/EU. Components may not be CE marked. Additionally, the part numbers that TE has identified as EU ELV compliant have a maximum concentration of 0.1% by weight in homogenous materials for lead, hexavalent chromium, and mercury, and 0.01% for cadmium, or qualify for an exemption to these limits as defined in the Annexes of Directive 2000/53/EC (ELV). Regarding the REACH Regulations, TE's information on SVHC in articles for this part number is still based on the European Chemical Agency (ECHA) 'Guidance on requirements for substances in articles' (Version: 2, April 2011), applying the 0.1% weight on weight concentration threshold at the finished product level. TE is aware of the European Court of Justice ruling of September 10th, 2015 also known as O5A (Once An Article Always An Article) stating that, in case of 'complex object', the threshold for a SVHC must be applied to both the product as a whole and simultaneously to each of the articles forming part of its composition. TE has evaluated this ruling based on the new ECHA "Guidance on requirements for substances in articles" (June 2017, version 4.0) and will be updating its statements accordingly.

## Compatible Parts



TE Part # 539660-1  
ADERENDHUELSEN (Ferrule) Crimp Tool



TE Part # 1SNK505010R0000  
ZS4



TE Part # 1SNK505150R0000  
ZS4-PE



TE Part # 1SNK505212R0000  
ZS4-T3



TE Part # 1SNK505310R0000  
ZS4-S



TE Part # 1SNK505313R0000  
ZS4-SP



TE Part # 1SNK505315R0000  
ZS4-D2-S



TE Part # 1SNK506153R0000  
ZS4-PE-R2



TE Part # 1SNK506310R0000  
ZS4-S-R1



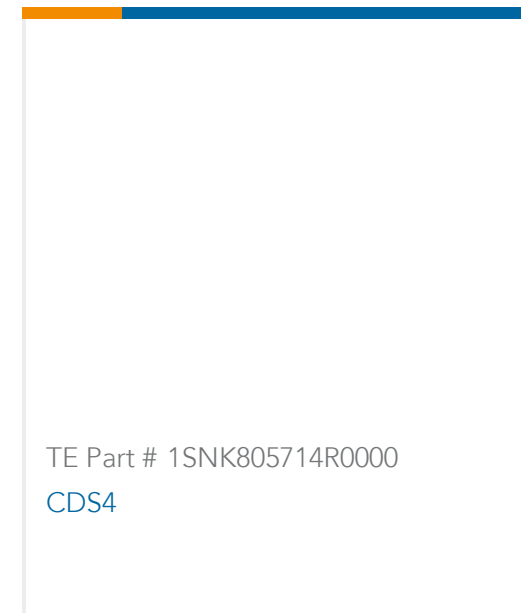
TE Part # 1SNK506410R0000  
ZS4-SF



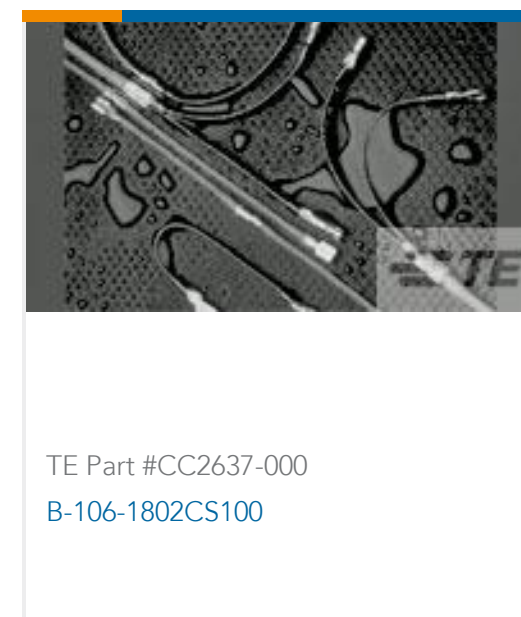
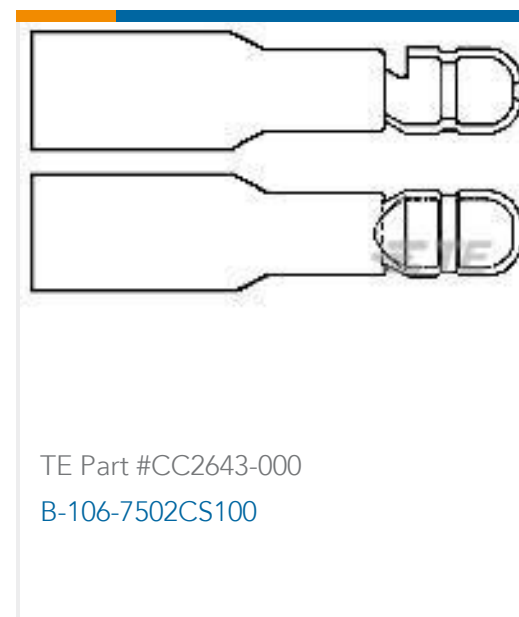
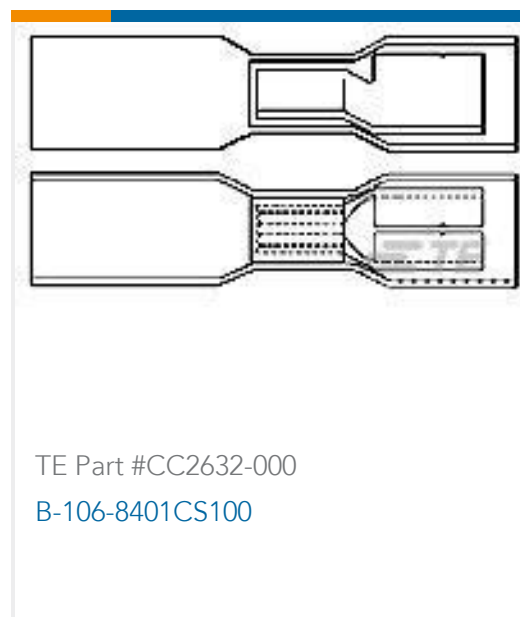
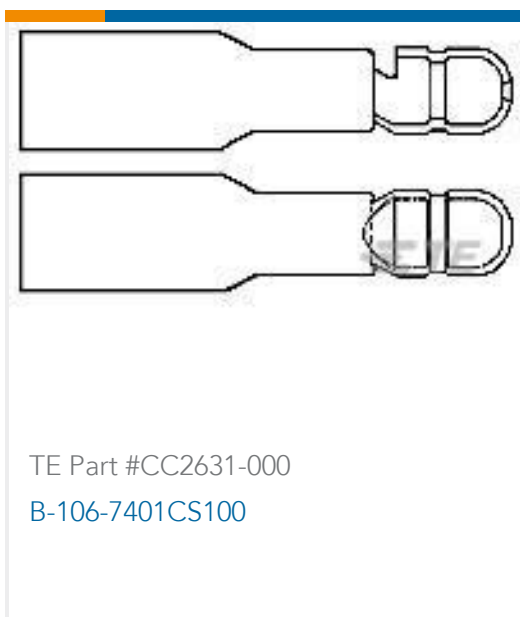
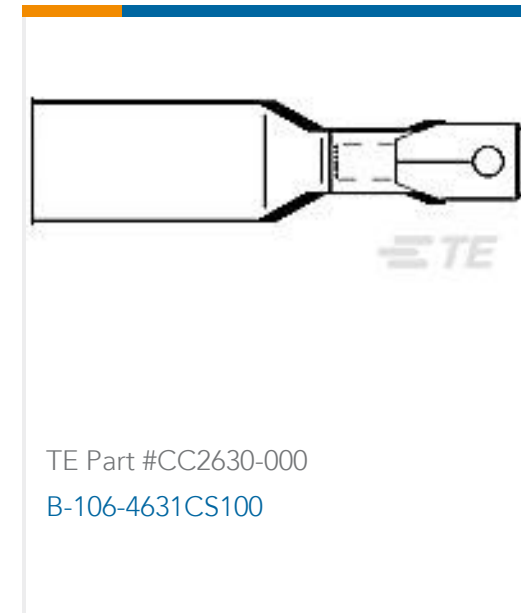
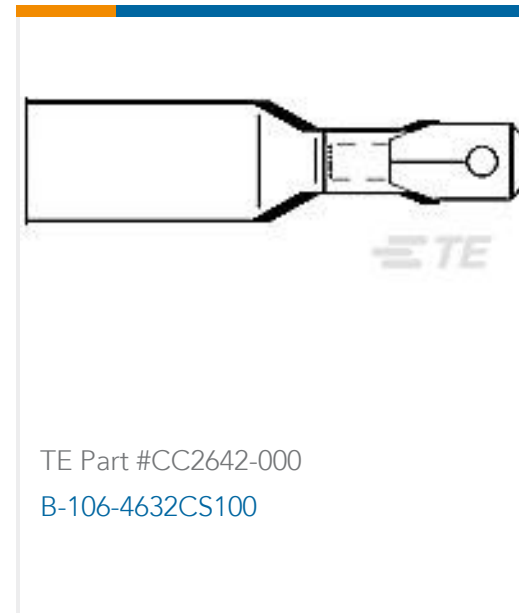
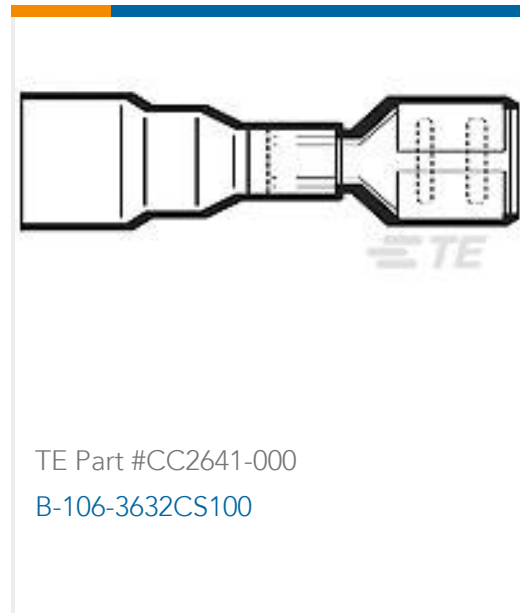
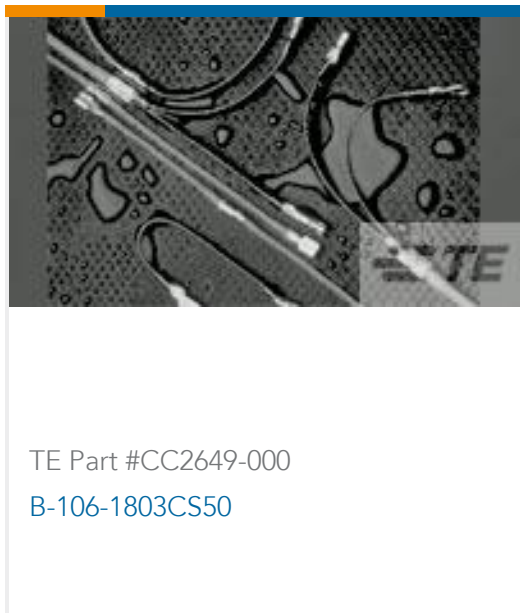
TE Part # 1SNK508410R0000  
ZS4-SF1



TE Part # 1SNK508425R0000  
ZS4-D2-SF1



### Customers Also Bought



### Documents



### Product Drawings

[WFD007-08-BL](#)

English

---

### Datasheets & Catalog Pages

[Infographic - entrelec ews-linecard](#)

English

[ENTRELEC - INSULATED WIRE END FERRULES](#)

[ENTRELEC - INSULATED WIRE END FERRULES](#)

English

[ENTRELEC - INSULATED WIRE END FERRULES](#)

French

[Essential Entrelec Terminal Blocks](#)

French

[Essential Entrelec Terminal Blocks](#)

English

---

### Agency Approvals

[UL](#)

English