

Part number

MHO 48 L32



Hood, C-TYPE series, with 2 pegs, M32 side cable entry, size "104.62"



Product description

Product type	Hood
Series	C-TYPE
Closing type	With 2 pegs
Size	Size "104.62"
Cable entry	Side cable entry with adapter M32

Technical data

IP degree of protection IP65 / IP66 / IP69

Further technical details

Weight	574,50 g
Operating temperature range (min, max)	-40°C...+125°C

Material properties

Colour	RAL 7040 grey
RoHs conformity	Compliant with exemption 6(c): copper alloy containing up to 4% lead by weight
China RoHs - EFUP	50
REACH SVHC substances	Yes Lead
SCIP number	15deaf78-e939-4401-a0b0-e2228ca32a03

Approvals / Standards

Certifications	DNV, BV
UL	ECBT2
cUL	ECBT8

General ordering information

EAN13 code	8015747053761
eCl@ss 8.1	27440202
ETIM 7.0	EC000437

Packaging Information

Packaging length	290,00 mm
Packaging height	140,00 mm
Packaging width	215,00 mm
Packaging weight	2,50 kg
Packaging volume	8,73 dm ³
Packaging description	Carton box
Packaging quantity	4 Pcs
Packaging EAN code	8015747053778
Sub-packaging weight	0,63 kg
Sub-packaging description	Plastic packaging
Sub-packaging quantity	1 Pcs
Sub-packaging EAN barcode	8015747053785

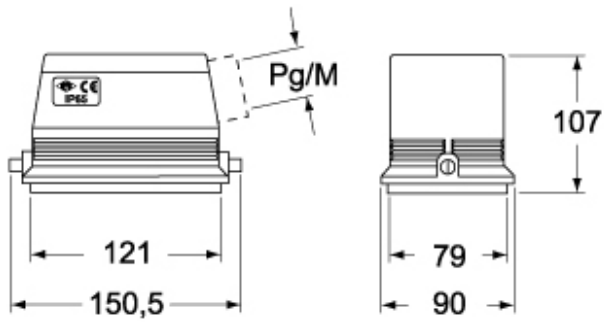
Part number

MHO 48 L32

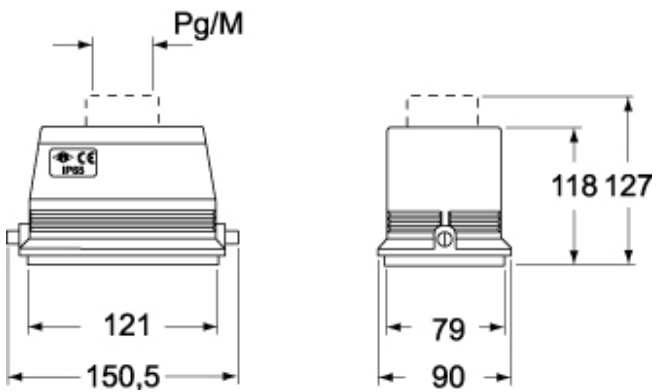


Catalogue drawings

CHO L - MHO L - MFO L



CHV L - MHV L - MFV L



Notes

Dimensions shown in mm are not binding and may be changed without notice.