



Product designation		Micro PLC - Base module
Product type designation		LRD20RA024
Auxiliary supply voltage		24VAC
Number of inputs	Nr.	12 digital
Number of outputs	Nr.	8 relay
		20 (12 inputs + 8 outputs) up to 44 with LRE modules
Max I/O number		

**Power supply**

Rated auxil. supply voltage		24VAC
Operating voltage range		20.4...28.8VAC
Rated frequency	Hz	50/60
Operating frequency range	Hz	47...63
Average current consumption	mA	290
Power consumption Max	W	7

**Digital inputs**

Number of digital input	Nr.	12
Rated voltage	V	24VAC (50/60Hz)
Input signals		
	State 0 (OFF)	<6VAC
	State 1 (ON)	>14VAC

Response time		
	0 to 1 (OFF-ON)	90ms
	1 to 0 (ON-OFF)	90ms

**Digital outputs**

Number of digital output	Nr.	8
type		Relay

**System resources**

Display		LCD display, 4 lines x 16 characters
---------	--	--------------------------------------

**Connections**

Terminals type		Screw
Tightening torque for terminals		
	max	Nm 0.6
	Max	lbft 0.4

Conductor section			
	AWG/Kcmil		
		min	26
		max	14
	IEC		
		min	mm <sup>2</sup> 0.14
		max	mm <sup>2</sup> 2.5

**Ambient conditions**

Temperature

Operating temperature

min	°C	-20
max	°C	+55

Storage temperature

min	°C	-40
max	°C	+70

Relative humidity

%	20...90% without condensation
---	-------------------------------

**Housing**

Mounting

35mm DIN rail or screw fixing (M4x20mm)

Degree of protection

IP20

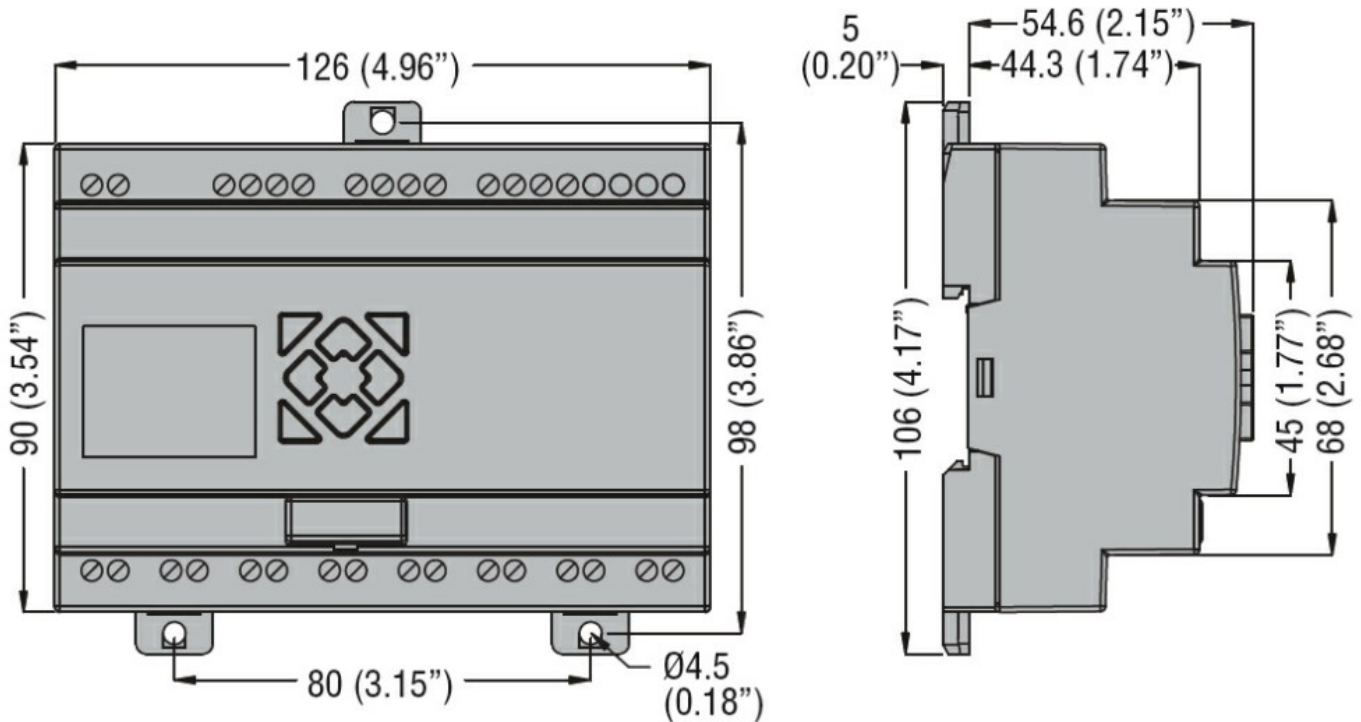
Dimensions (W x H x D)

mm 126 x 106 x 59.6

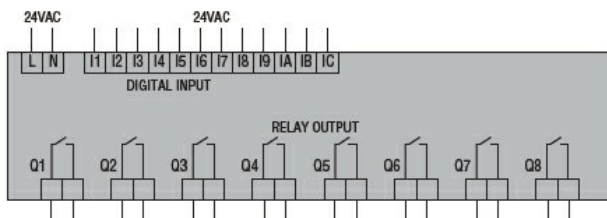
Weight

g 368

**Dimensions**



**Wiring diagrams**



**Certifications and compliance**

Compliance

CSA C22.2 n° 142

IEC/EN 61131-2

UL508

Certificates

cULus

EAC

ETIM classification

ETIM 8.0

EC001417 -  
Logic module