

Part number

# CK 03 VAS



Hood, CK series, with 2 pegs, Pg11 side cable entry, size "21.21", white colour

## Product description

<b>Product type</b>	Hood
<b>Series</b>	CK
<b>Closing type</b>	With 2 pegs
<b>Size</b>	Size "21.21"
<b>Cable entry</b>	Side cable entry Pg11
<b>Specification</b>	White colour

## Technical data

<b>IP degree of protection</b>	IP44 (IP66/IP67/IP69 with CKR 65/CKR 65 D kits)
--------------------------------	---

## Further technical details

<b>Weight</b>	20,00 g
<b>Operating temperature range (min, max)</b>	-40°C...+125°C

## Material properties

<b>Colour</b>	RAL 7035 grey
<b>RoHs conformity</b>	Compliant
<b>China RoHs - EFUP</b>	E
<b>REACH SVHC substances</b>	No

## Approvals / Standards

<b>UL</b>	ECBT2
<b>cUL</b>	ECBT8

## General ordering information

<b>EAN13 code</b>	8015747026604
-------------------	---------------

## Packaging Information

<b>Packaging length</b>	330,00 mm
<b>Packaging height</b>	170,00 mm
<b>Packaging width</b>	230,00 mm
<b>Packaging weight</b>	2,00 kg
<b>Packaging volume</b>	12,90 dm <sup>3</sup>
<b>Packaging description</b>	Carton box
<b>Packaging quantity</b>	100 Pcs
<b>Packaging EAN code</b>	8015747026611
<b>Sub-packaging weight</b>	0,20 kg
<b>Sub-packaging description</b>	Carton box
<b>Sub-packaging quantity</b>	10 Pcs
<b>Sub-packaging EAN barcode</b>	8015747026628

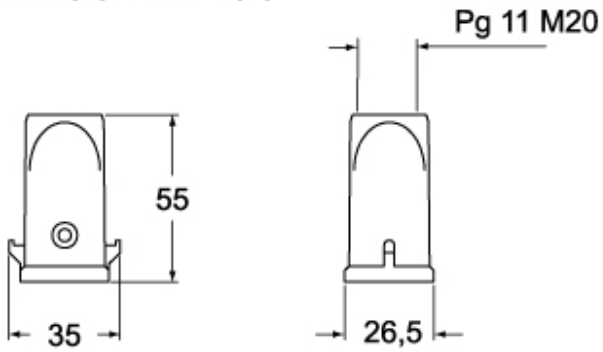
Part number

# CK 03 VAS

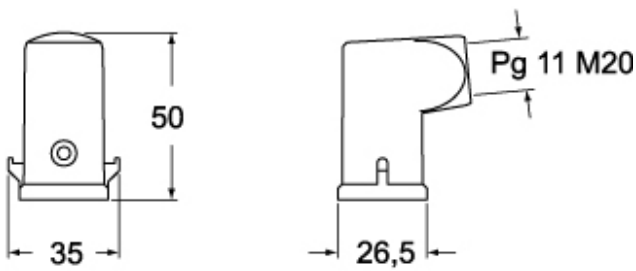


Catalogue drawings

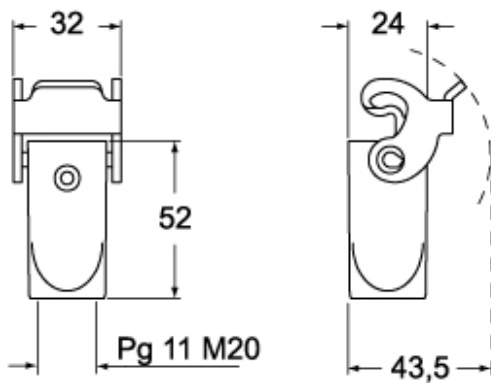
## CK V(N)S - MK V(N)



## CK VA(N)S - MK VA(N)



## CK VG(N)S - MK VG(N)



## Notes

Dimensions shown in mm are not binding and may be changed without notice.